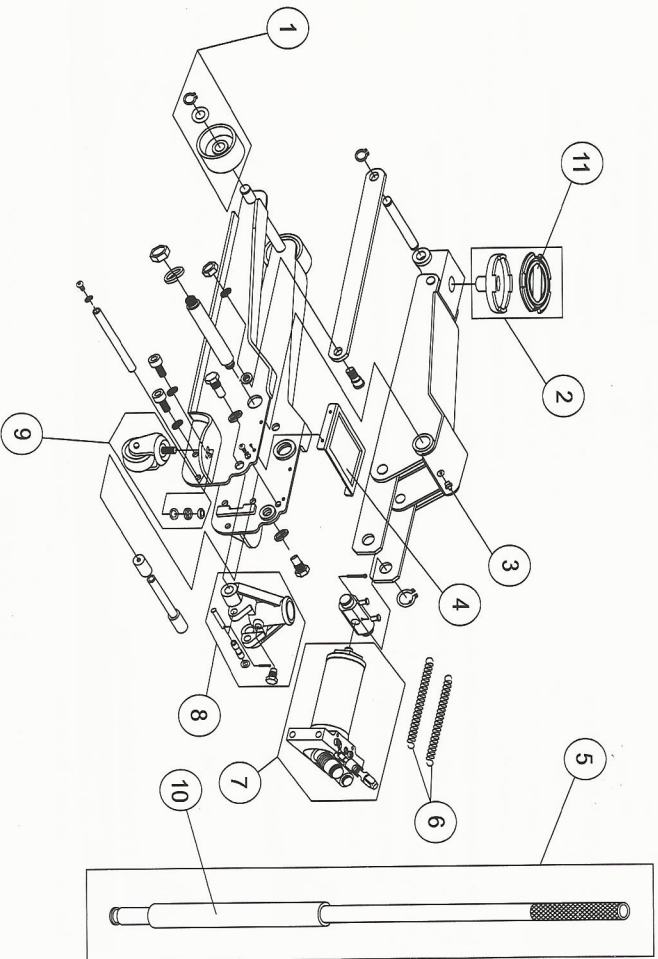




**Model: 302- 62035**  
**Capacity: 3 1/2 Ton**

**EXPLODED VIEW & REPLACEABLE PART NUMBERS**



Item	Part Number*	Description	Qty
1	LYD3G-100	Front wheel assembly	2
2	LYD3G-500	Saddle w/ pad	1
3	GB1152-89-M6	Grease Fitting	1
4	LYD2G-4D	Cover	1
5	LYB3G-200	Handel Assembly w/ foam	1
6	LYD2-9	Return Spring	2
7	LYB3G.5D	Power Unit Assembly	1
8	LYB3G-300	Handel Fork Assembly	1
9	LYB3G-400	Rear Caster Assembly	2
10	LYDBL-3T-17	Handle foam only	1
11	LYB3G-14D	Saddle pad only	1
N/A	302-62035-1	Product Label	1

\* Items not identified by part number are not available for replacement.



**Model: 302- 62035**  
**Capacity: 3 1/2 Ton**

**WARRANTY INFORMATION**

**ONE YEAR LIMITED WARRANTY**

For a period of one (1) year from your purchase date, RPG will repair or replace (at its option) without charge, your RPG product if it was purchased new and the product has failed due to a defect in material or workmanship which you experienced during normal use of the product. This limited warranty is your exclusive remedy.

To access the benefits of this warranty, contact RPG at 1-844-364-9922 for confirmation that this warranty applies. Thereafter, you may be advised to return the product under warranty, freight prepaid, to the RPG service department.

If this RPG product is altered, abused, misused, modified, or undergoes service by an unauthorized technician, your warranty will be void. We are not responsible for damage to ornamental designs you place on this RPG product and such ornamentation should not cover any warnings or instructions or they may void the warranty. This warranty does not cover scratches, superficial dents, and other abrasions to the paint finish that occur under normal use.

Subject to the law in your state:

- (1) Your sole and exclusive remedy is repair or replacement of the defective product as described above.
- (2) RPG is not liable for any incidental damages, including but not limited to, lost profits and unforeseeable consequences.
- (3) The repair and replacement of this product under the express limited warranty described above is your exclusive remedy and is provided in lieu of all other warranties, express or implied. All other warranties, including implied warranties and warranties of merchantability or fitness for a particular purpose are disclaimed and, if disclaimer is prohibited, these warranties are limited to one year from your date of purchase of this product.

Some states' laws do not allow limited durations on certain implied warranties and some states' laws do not allow limitations on incidental or consequential damages. You should consult the law in your state to determine how your rights may vary.



Toll Free Service Number 1-844-364-9922

Printed In China