



SPX Corporation
 655 Eisenhower Drive
 Owatonna, MN 55060-0995 USA
 Phone: (507) 455-7000
 Tech. Serv.: (800) 533-6127
 Fax: (800) 955-8329
 Order Entry: (800) 533-6127
 Fax: (800) 283-8665
 International Sales: (507) 455-7223
 Fax: (507) 455-7063

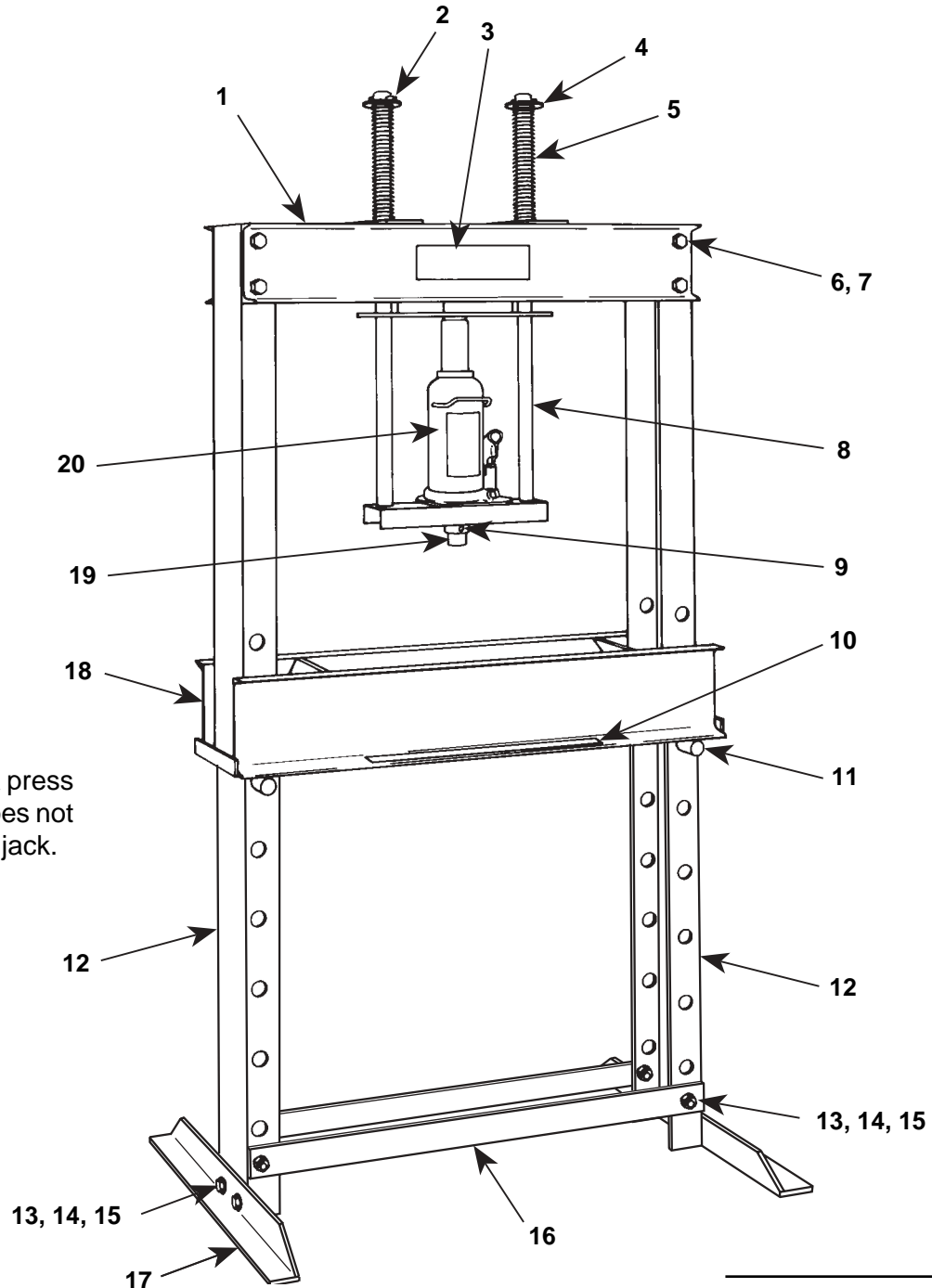
Form No. 100735

Parts List
 for:

1824
 1824A
 309111

Bottle Jack Press

Max. Capacity: 20 Tons



Note: 309111 is a press frame only and does not include the bottle jack.

Sheet No. 1 of 1

Issue Date: Rev. C, 7-31-02

Item No.	Part No.	No. Req'd	Description
1	61995	1	Upper Bolster
2	14152	2	Roll Pin (5/16 dia. x 3" Lg.)
3	309090	1	Trade Name & Capacity Decal
4	215422	2	Washer
5	215421	2	Spring
6	10096	8	Cap Screw (5/8-11 x 1-1/4" Lg.)
7	10214	8	Nut (5/8-11)
8	61990	1	Pressing Bracket
9	10136	1	Set Screw (1/4-20 x 1/4" Lg.)
10	46896	1	Warning Decal
11	34555	2	Bolster Pin
12	61996	2	Upright
13	12004	4	Washer (for 1/2" bolt)
14	10080	8	Cap Screw (1/2-13 x 1-1/4" Lg.)
15	10208	8	Nut (1/2-13)
16	309116	2	Strap
17	304485	2	Foot
18	61992	1	Lower Bolster
19	215423	1	Pressing Pin
20	9120B	1	Bottle Jack (for 1824)
	5220	1	Bottle Jack (for 1824A)
	216703	1	Made in USA Decal

Refer to any operating instructions included with the product for detailed information about operation, testing, disassembly, reassembly, and preventive maintenance.

Items found in this parts list have been carefully tested and selected by OTC. **Therefore: Use only OTC replacement parts!**

Additional questions can be directed to the OTC Technical Services Department.

Shaded areas reflect the last revision made to this form.