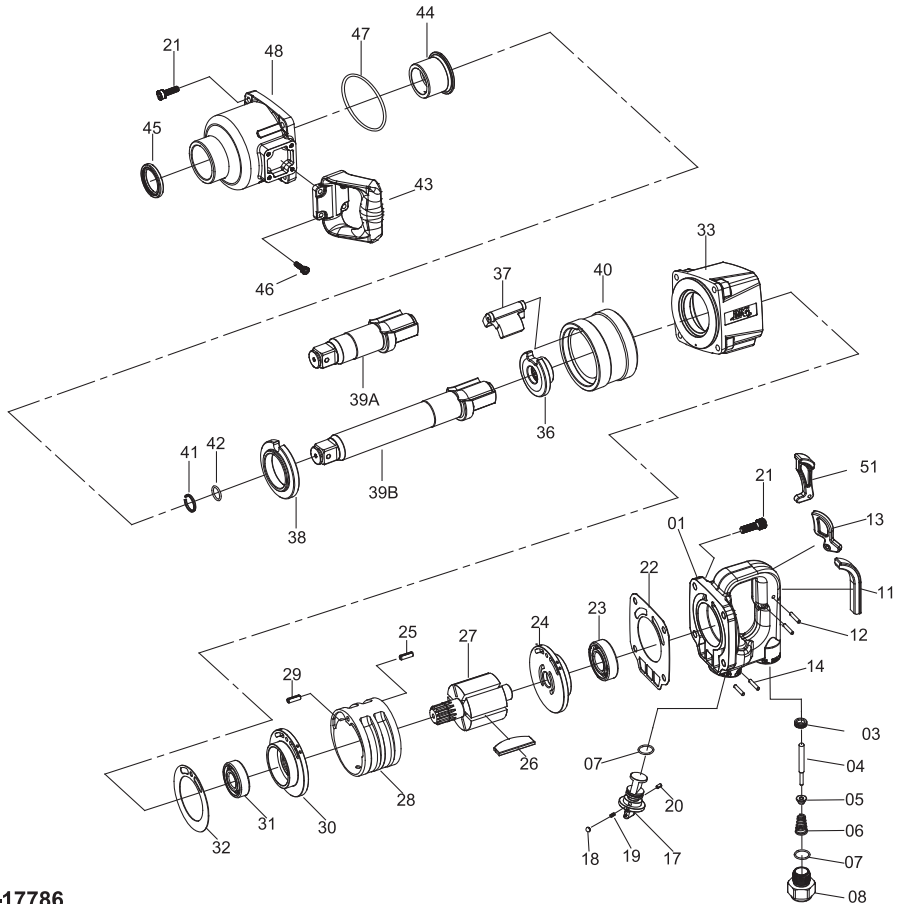


# 1" SQ.DR. SUPER DUTY AIR IMPACT WRENCH



155-17786

INDEX NO.	DESCRIPTION	REQ'D NO.	INDEX NO.	DESCRIPTION	REQ'D NO.
01	Backhead Assembly ( incl.03 )	1	28	Cylinder	1
● 03	Throttle Valve Seat	1	29	Spring Pin	1
04	Valve Stem	1	30	End Plate Assembly ( incl.31 )	1
05	Throttle Valve	1	● 31	Ball Bearing	1
06	Spring	1	32	Gasket	1
07	O-Ring	2	33	Housing Assembly	1
08	Air Inlet	1	36	Cam	1
11	Rubber Cap	1	37	Hammer	1
12	Pin	2	38	Axle Bushing	1
13	Inside Trigger	1	39A	Standard Anvil Assembly ( incl.41,42 )	1
14	Spring Pin	2	39B	6" Extended Anvil Assembly ( incl.41,42 )	1
17	Reverse Valve Assembly ( incl.20 )	1	40	Hammer Frame	1
18	Steel Ball	1	● 41	Socket Retainer	1
19	Spring	1	● 42	O-Ring	1
● 20	Spring Pin	1	43	Side Spade Handle	1
21	Screw	8	44	Bushing	1
22	Gasket	1	45	Oil Seal	1
● 23	Ball Bearing	1	46	Screw	4
24	End Plate Assembly ( incl.23 )	1	47	O-Ring	1
25	Spring Pin	1	48	Hammer Case	1
26	Rotor Blade	6			
27	Rotor	1	TK	Tune-Up Kit { incl.6,7 ( 2 ),18,19,22,26 ( 6 ),32,41,42,47 }	

● Recommended not to be purchased alone due to assembly difficulty

20141215R1