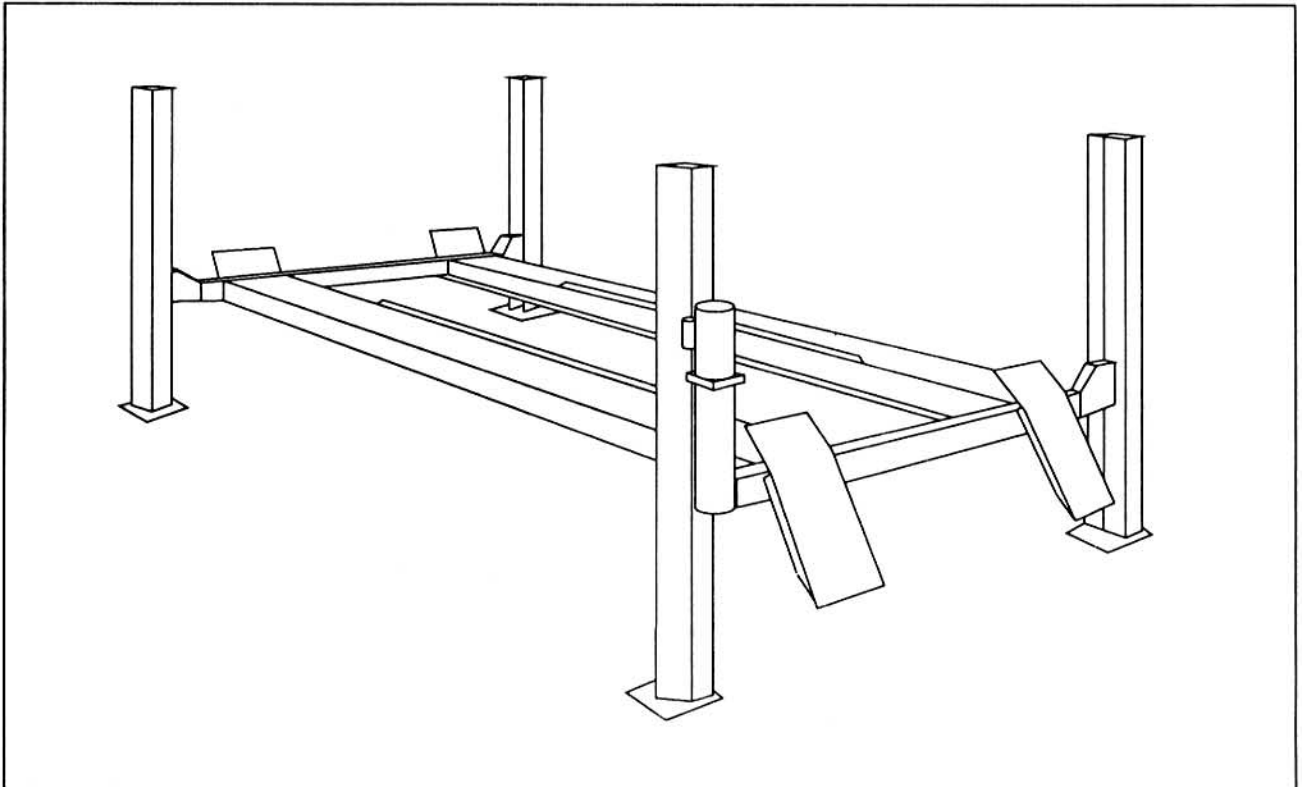


**PARTS BREAKDOWN**



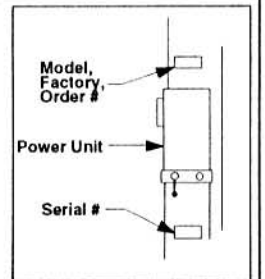
**IMPORTANT:** When ordering parts or requesting service, always give exact model and power unit serial number. Model number is shown on nameplate attached to power unit column. Power unit serial number is located on side of reservoir.

- NOTES:**
- A. The Hydraulic Cylinder Mounting Bracket was changed to a clevis type bracket 1/30/90, beginning with #L69049.
  - B. Remote Release Air Locks were added 10/1/88, beginning with #L60275.
  - C. Runway Hydraulic Tubing was replaced by Hydraulic Hose 4/1/89, beginning with #L63500.
  - D. The Mounting Bracket on the Hydraulic Cylinder was changed from a clevis type to a bolt-on bracket on 2/15/91 beginning with L76135 for SM90 and on 2/28/91 beginning with L76064 for SM120.
  - E. The Hydraulic Cylinder Mounting Bracket was changed back to a clevis type bracket 4/30/90, beginning with #L76815.

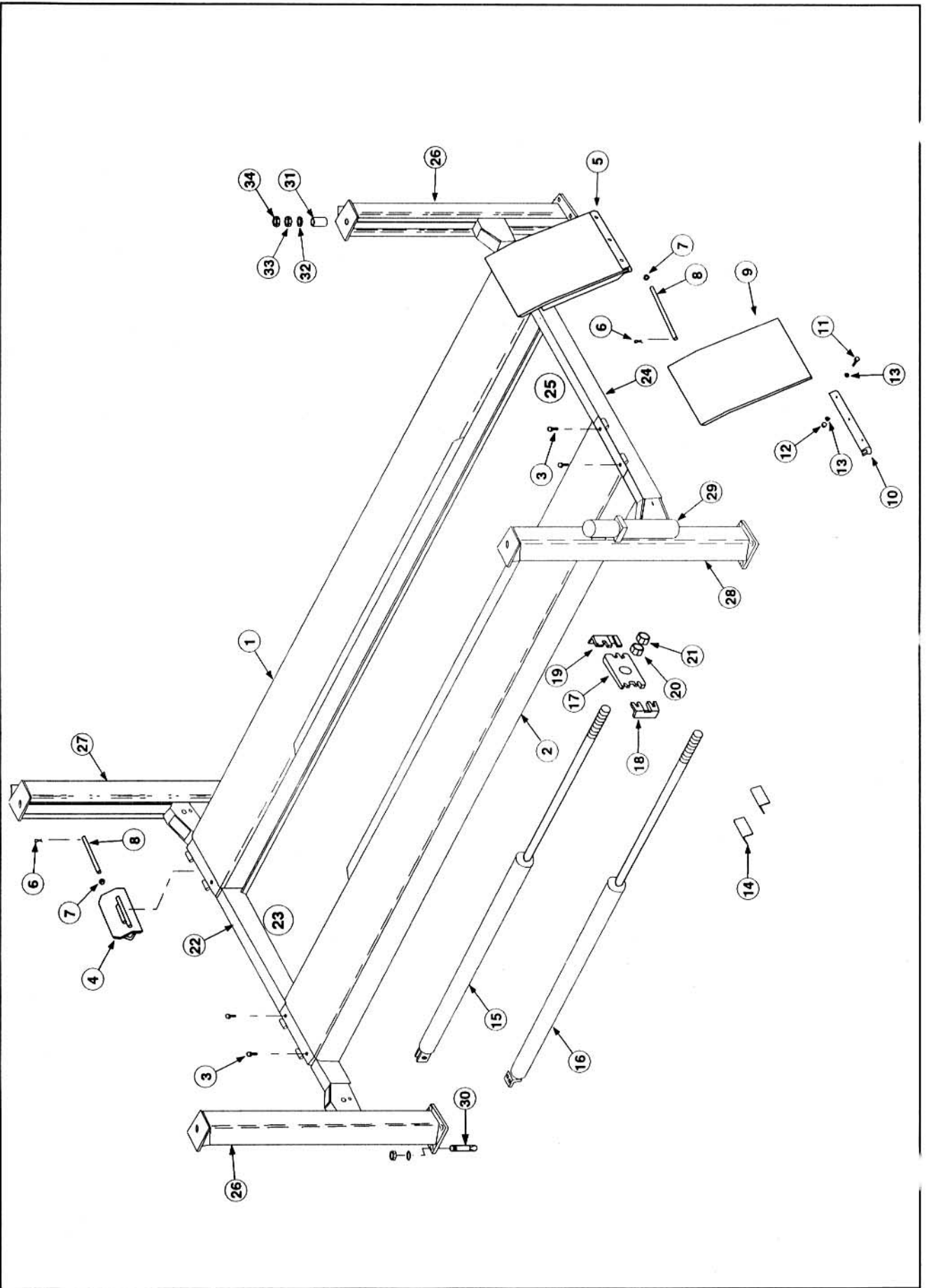
**OWNER'S RECORD**

Complete information at right and keep in a safe place.

Date Installed \_\_\_\_\_  
Installed In Bay # \_\_\_\_\_  
Std. Serial # \_\_\_\_\_ P609  
3 ph. Serial # \_\_\_\_\_ P610  
Factory Order # \_\_\_\_\_

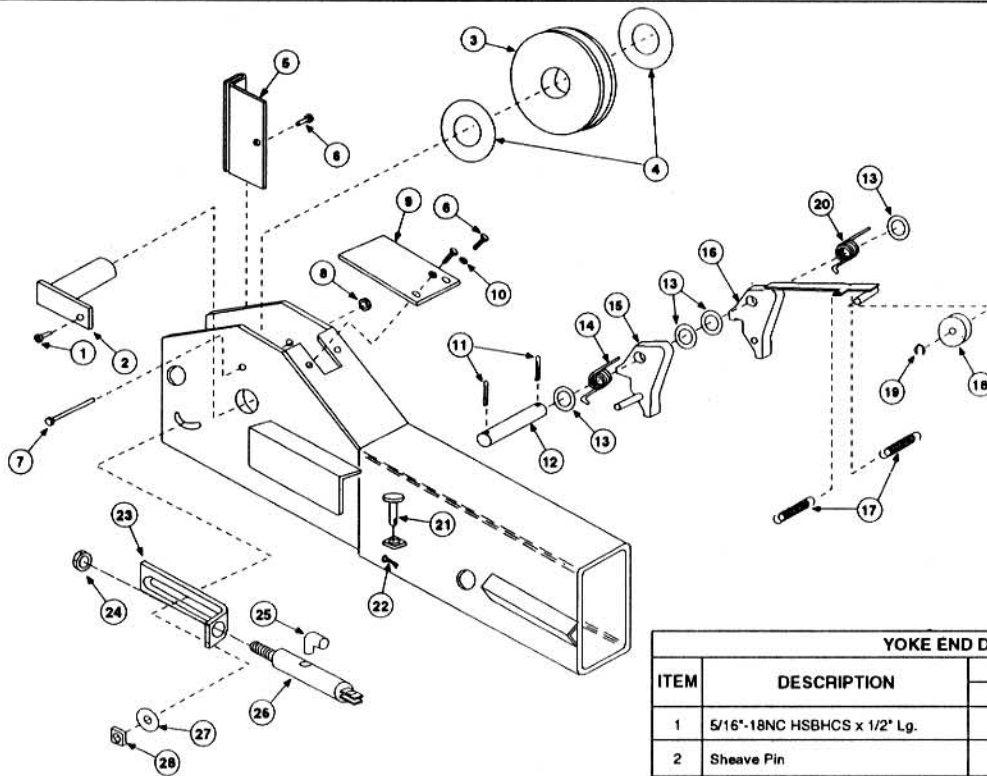


**NOTE: For Replacement Parts - See Your Nearest Rotary Parts Distributor**

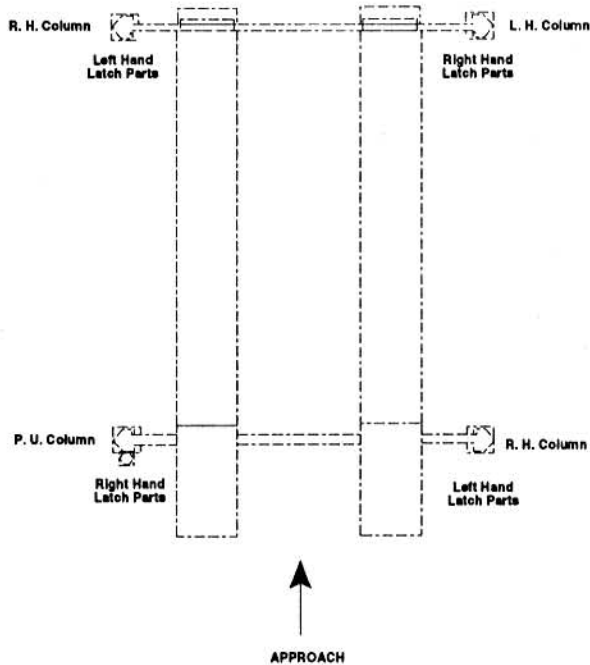


| SM90 / SM120 PARTS |  |              |          |
|--------------------|--|--------------|----------|
| ITEM NO.           | DESCRIPTION  | PART NO.     |          |
|                    |  | SM90         | SM120    |
| 1                  | R.H. (Adjust.) Runway Assembly                                       | FC5300       | FC5299   |
| 2                  | L.H. (Fixed) Runway Assembly (Includes cylinder, cables and sheaves) | FC5354       | FC5357   |
| 3                  | 1/2"- 13NC x 1" HHCS (High Strength)                                 | 40260        |          |
| 4                  | Wheel Stop   | FC563        |          |
| 5                  | Ramp Chock Assembly  | FC5142       |          |
| 6                  | 5/32" x 1" Lg. Cotter Pin  | 41202        |          |
| 7                  | 5/8" Pushnut Fastener — TRW #PW625019 Or Equal                       | FC5179-4     |          |
| 8                  | Hinge Pin  | FC526-3      |          |
| 9                  | Ramp Chock   | FC5142-1     |          |
| 10                 | Ramp Chock Slide   | FC5142-3     |          |
| 11                 | #10-24 PNHDMS x 3/4" Lg.   | 40030        |          |
| 12                 | #10-24 Hex Nut   | 40630        |          |
| 13                 | #10 Plain Washer   | 40785        |          |
| 14                 | Triangular Wheel Chock   | FC320        |          |
| 15                 | Hydraulic Cylinder* (Clevis Mount)                                   | FC5343       | FC5342   |
| 16                 | Hydraulic Cylinder* (Bolt On Style Bkt.)                             | FC537        | FC542    |
| 17                 | Cable Pull Bar   | FC528        | FC543    |
| 18                 | L.H. Cable Retaining Bar   | FC528-3      | FC543-3  |
| 19                 | R.H. Cable Retaining Bar   | FC528-2      | FC543-2  |
| 20                 | 1 1/8"-7NC Hex Nut (SM90)  | 40769        | N / A    |
|                    | 1 3/8"-6NC Hex Nut (SM120)   | N / A        | 40771    |
| 21                 | 1 1/8"-7NC Hex Jam Nut (SM90)  | 40770        | N / A    |
|                    | 1 3/8"-6NC Hex Jam Nut (SM120)                                       | N / A        | 40773    |
| 22                 | Front Yoke   | FC5289-1     | FC5293-1 |
| 23                 | Front Yoke Ass'y (Including Latches)                                 | FC5289       | FC5293   |
| 24                 | Rear Yoke  | FC5290-1     | FC5294-1 |
| 25                 | Rear Yoke Ass'y (Including Latches)                                  | FC5290       | FC5294   |
| 26                 | R.H. Column  | FC5446       |          |
| 27                 | L.H. Column  | FC5445       |          |
| 28                 | Power Unit Column  | FC5447       |          |
| 29                 | Power Unit Kit (includes power unit)                                 | single phase | FA781    |
|                    |  | 3-phase      | FA783    |
| 30                 | 5/8" Anchor Bolt   | FC5228       |          |
| 31                 | Spacer   | N/A          | FC5287   |
| 32                 | 3/4" Plain Washer  | 41020        | N/A      |
| 33                 | 3/4"-10NC Hex Nut  | 40760        | N/A      |
|                    | 7/8"-9NC Hex Nut   | N/A          | 40765    |
| 34                 | 3/4"-10NC Hex Jam Nut  | FC134-9-4    | N/A      |
|                    | 7/8"-9NC Hex Jam Nut   | N/A          | 40766    |

\* See Note A and D On Front Page



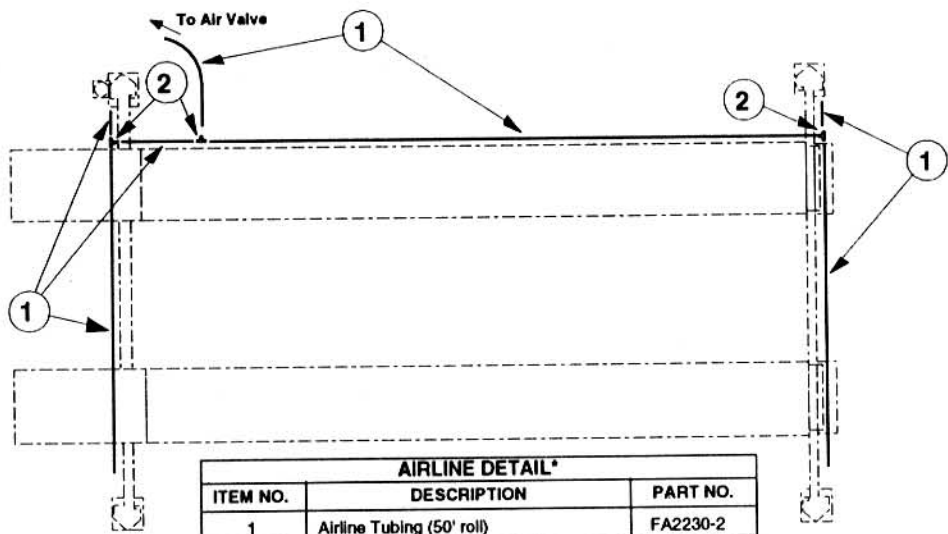
### TOP VIEW



#### YOKE END DETAIL\*

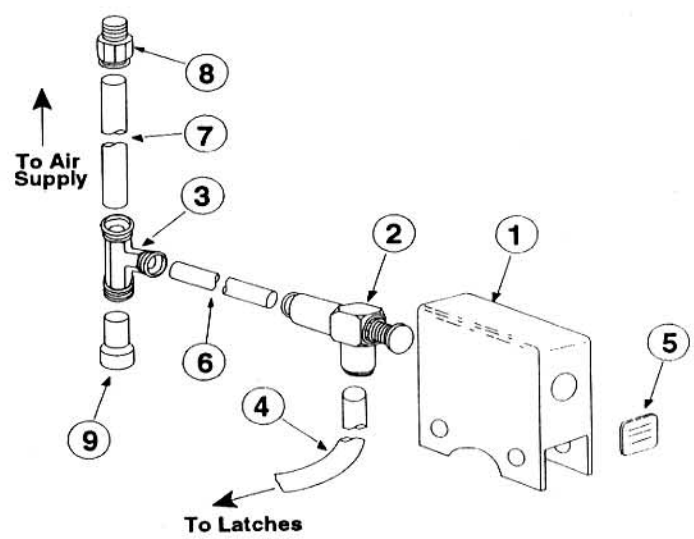
| ITEM | DESCRIPTION                          | PART NO.  |           |
|------|--------------------------------------|-----------|-----------|
|      |                                      | SM90      | SM120     |
| 1    | 5/16"-18NC HSBHCS x 1/2" Lg.         | 40225     |           |
| 2    | Sheave Pin                           | FC522-34  | FC5224-21 |
| 3    | Sheave                               | FC522-5   | FC548     |
| 4    | Spacer                               | FC522-69  | FC548-5   |
| 5    | Slider                               | FC5301-07 |           |
| 6    | 1/4" — 20NC HHTS x 1/2" Lg.          | 40067     |           |
| 7    | 1/4" 20NC HHCS x 4" Lg.              | 40118     |           |
| 8    | 1/4"-20NC Hex Nut                    | 40625     |           |
| 9    | Rubber Guard                         | FC553-10  |           |
| 10   | 1/4" Plain Washer                    | 40780     |           |
| 11   | Cotter Pin, 1/8" X 1 1/4"            | 41201     |           |
| 12   | Latch Shaft                          | FC5224-17 |           |
| 13   | Washer                               | FC5301-98 |           |
| 14   | Left Hand Torsion Spring             | FC5224-62 |           |
| 15   | Left Hand Locking Latch              | FC522-17  |           |
|      | Right Hand Locking Latch             | FC522-8   |           |
| 16   | Left Hand Slack Cable Locking Latch  | FC553-20  |           |
|      | Right Hand Slack Cable Locking Latch | FC553-19  |           |
| 17   | Extension Spring                     | FC522-25  |           |
| 18   | Slack Cable Roller                   | FC553-21  |           |
| 19   | TRUARC 3/8" Snap Ring                | 41410     |           |
| 20   | Right Hand Torsion Spring            | FC5224-63 |           |
| 21   | Clevis Pin                           | FA2230-12 |           |
| 22   | Cotter Pin, 3/32" x 1/2" Lg.         | 41165     |           |
| 23   | Slotted Bracket                      | FA2230-9  |           |
| 24   | 1/4" x 28NF Hex Jam Nut              | 40622     |           |
| 25   | Elbow                                | FC5224-39 |           |
| 26   | Air Cylinder                         | FA2230-1  |           |
| 27   | 3/8" Plain Washer                    | 40816     |           |
| 28   | 3/8" — 16NC Nylon Lock Nut           | 40657     |           |

\*See Note B On Front Page



| AIRLINE DETAIL* |                           |           |
|-----------------|---------------------------|-----------|
| ITEM NO.        | DESCRIPTION               | PART NO.  |
| 1               | Airline Tubing (50' roll) | FA2230-2  |
| 2               | Union Tee                 | FC5225-46 |

\*See Note B On Front Page

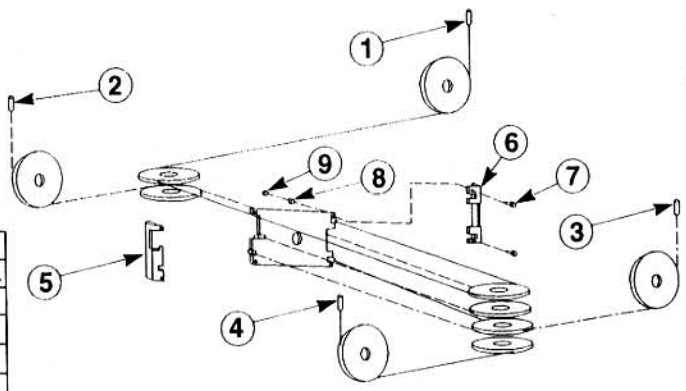


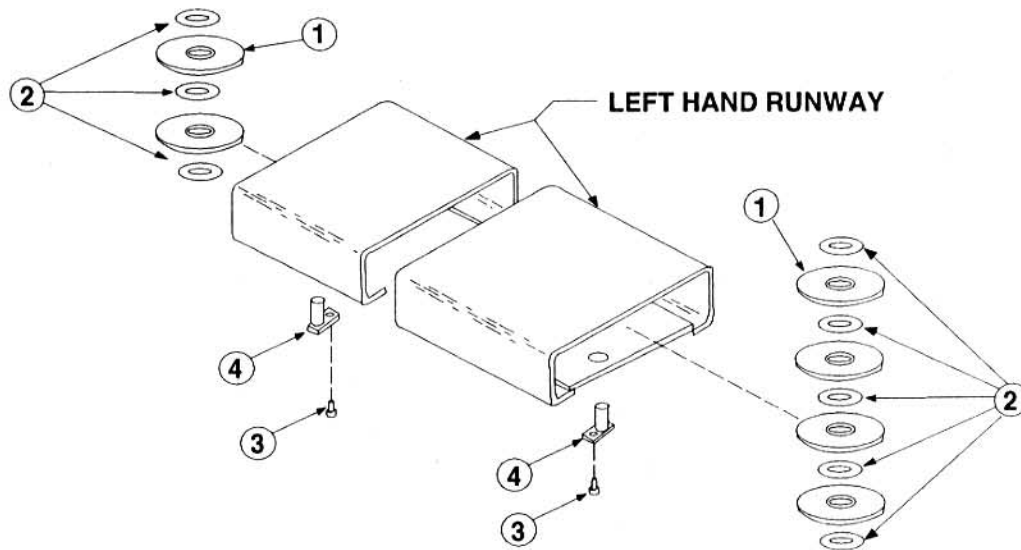
| AIR LOCK RELEASE VALVE DETAIL* |  |           |
|--------------------------------|--|-----------|
| ITEM NO.                       | DESCRIPTION                            | PART NO.  |
| 1                              | Bracket**                              | FA3134-3  |
| 2                              | Air Valve**                            | FA3134-10 |
| 3                              | Union Tee                              | FA2242-1  |
| 4                              | 1/4" Tubing                            | FA3134-9  |
| 5                              | Nameplate**                            | NP280     |
| 6                              | 1/4" Tubing**                          | FA3134-11 |
| 7                              | 3/8" Tubing (40' roll)                 | FA2230-15 |
| 8                              | Male Connector (3/8" NPT to 3/8" tube) | FA3134-7  |
| 9                              | 3/8" Plug                              | FA2230-16 |

\*See Note B On Front Page

\*\*Available as an assembly, order part #FA3134

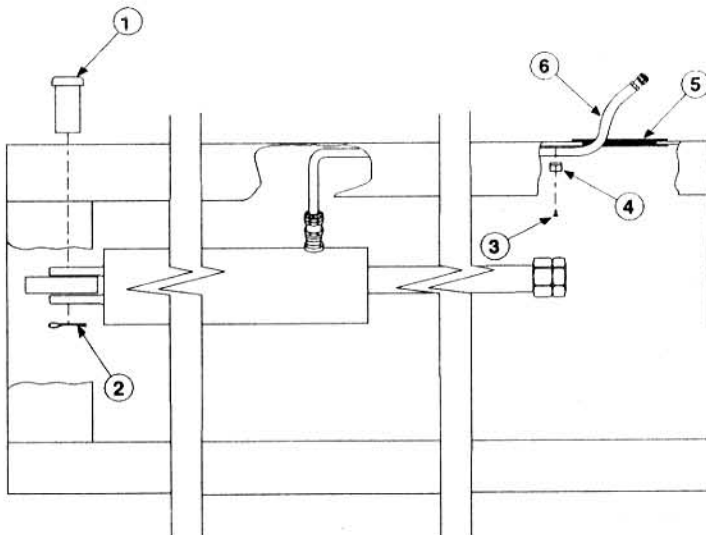
| CABLES   |                           |               |                |
|----------|---------------------------|---------------|----------------|
| ITEM NO. | DESCRIPTION               | SM90 PART NO. | SM120 PART NO. |
| 1        | Right Front Cable         | FC519         | FC547          |
| 2        | Left Front Cable          | FC518         | FC546          |
| 3        | Right Rear Cable          | FC517         | FC545          |
| 4        | Left Rear Cable           | FC516         | FC544          |
| 5        | Left Cable Retaining Bar  | FC528-3       | FC543-3        |
| 6        | Right Cable Retaining Bar | FC528-2       | FC543-2        |
| 7        | 1/4"-20NC HHCS x 1 3/4"   |               | 40082          |
| 8        | 1/4"-20NC Hex Nut         |               | 40625          |
| 9        | 1/4"-20NC Hex Jam Nut     |               | 40640          |





**SHEAVE DETAIL.**

| ITEM | DESCRIPTION                    | SM90 PART NO.   | SM120 PART NO.   |
|------|--------------------------------|-----------------|------------------|
| 1    | Sheave                         | FC522-5         | FC548            |
| 2    | Spacer                         | FC522-70 (Thin) | FC5346-2 (Thick) |
| 3    | 5/16" - 18NC HSBHCS x 1/2" Lg. | 40225           |                  |
| 4    | Sheave Pin                     | FC521-11        | FC555-1          |



**HYDRAULIC HOSE DETAIL**

| ITEM NO. | DESCRIPTION                           | PART NO.  |
|----------|---------------------------------------|-----------|
| 1        | Clevis Pin                            | FC5346-1  |
| 2        | 3/16" x 1 1/2" Lg. Cotter Pin         | 41247     |
| 3        | #10 - 24NC Slotted<br>HHTS x 5/8" Lg. | 40029     |
| 4        | Clamp                                 | FA2239-1  |
| 5        | Strip Grommet                         | FC5317-12 |
| 6        | Hose*                                 | FJ822     |

\*See Note C On Front Page