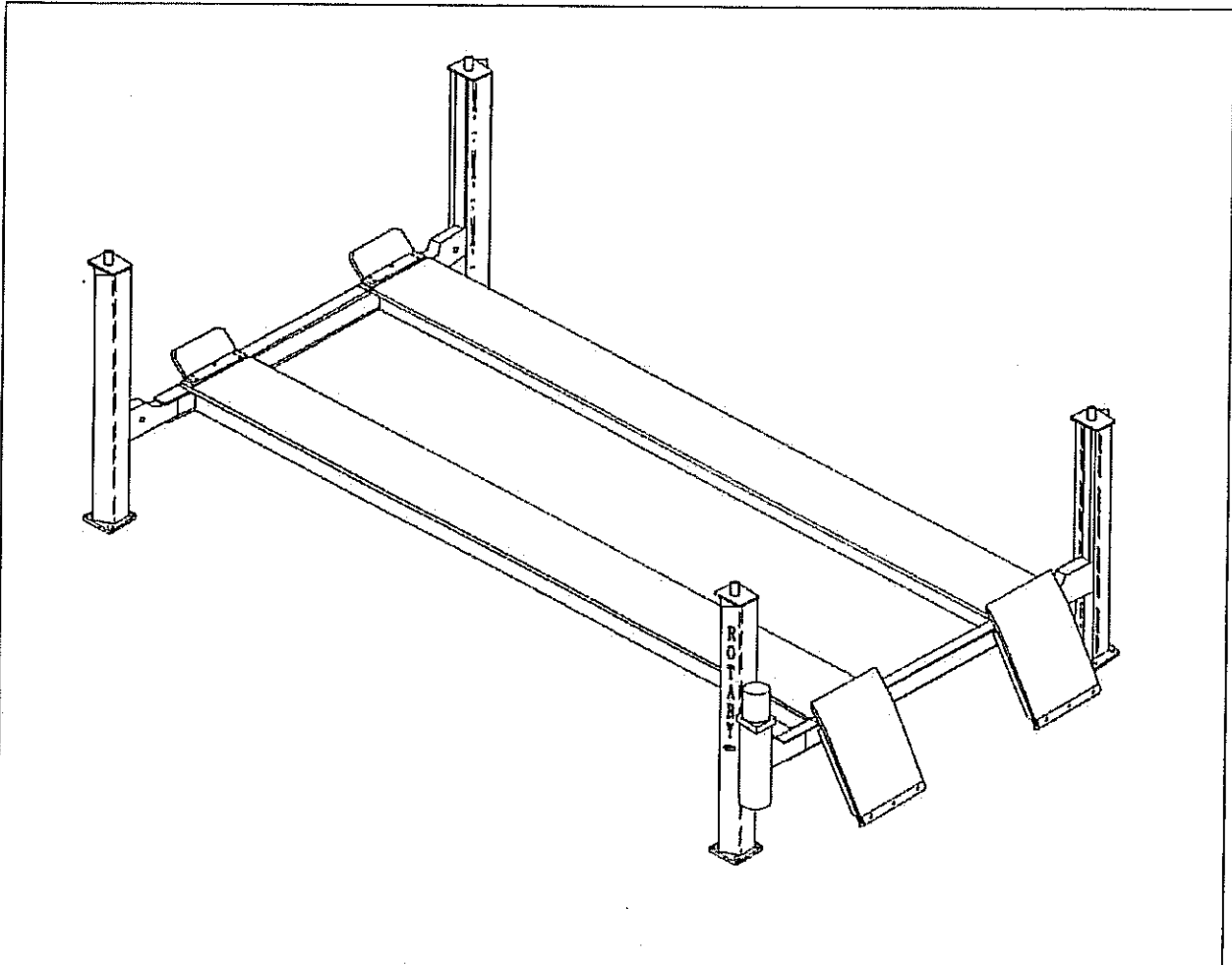


MODEL SM270
PARTS BREAKDOWN



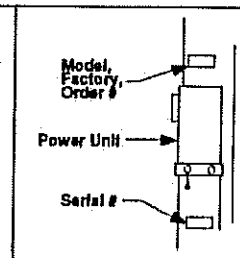
IMPORTANT: When ordering parts or requesting service, always give exact model and power unit serial number. Model number is shown on nameplate attached to power unit column. Power unit serial number is located on side of reservoir.

NOTES:

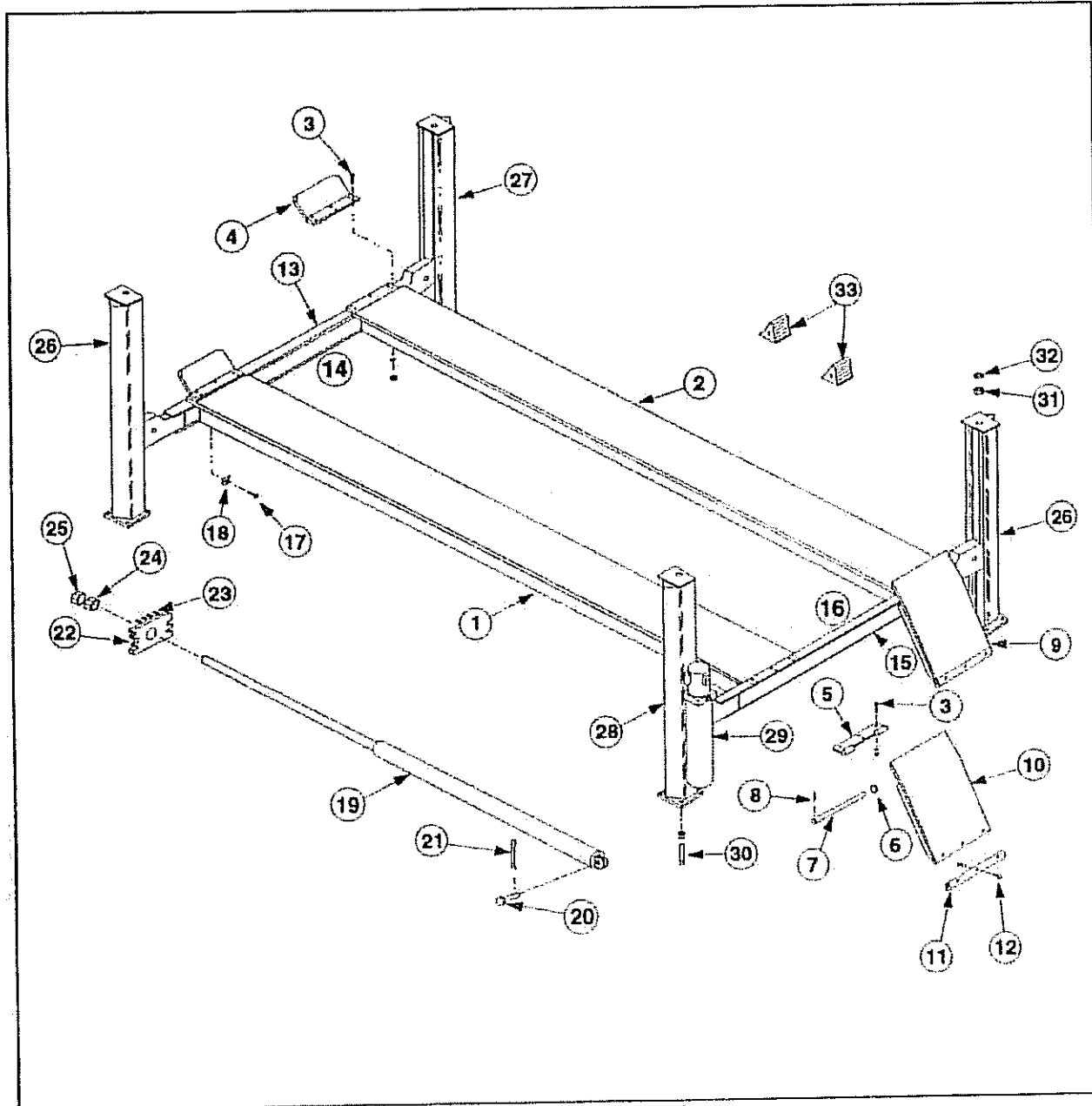
OWNER'S RECORD

Complete information at right and keep in a safe place.

Date Installed _____ / _____ / _____
 Installed in Bay # _____
 Std Serial # _____
 3 ph. Serial # _____
 Factory Order # _____

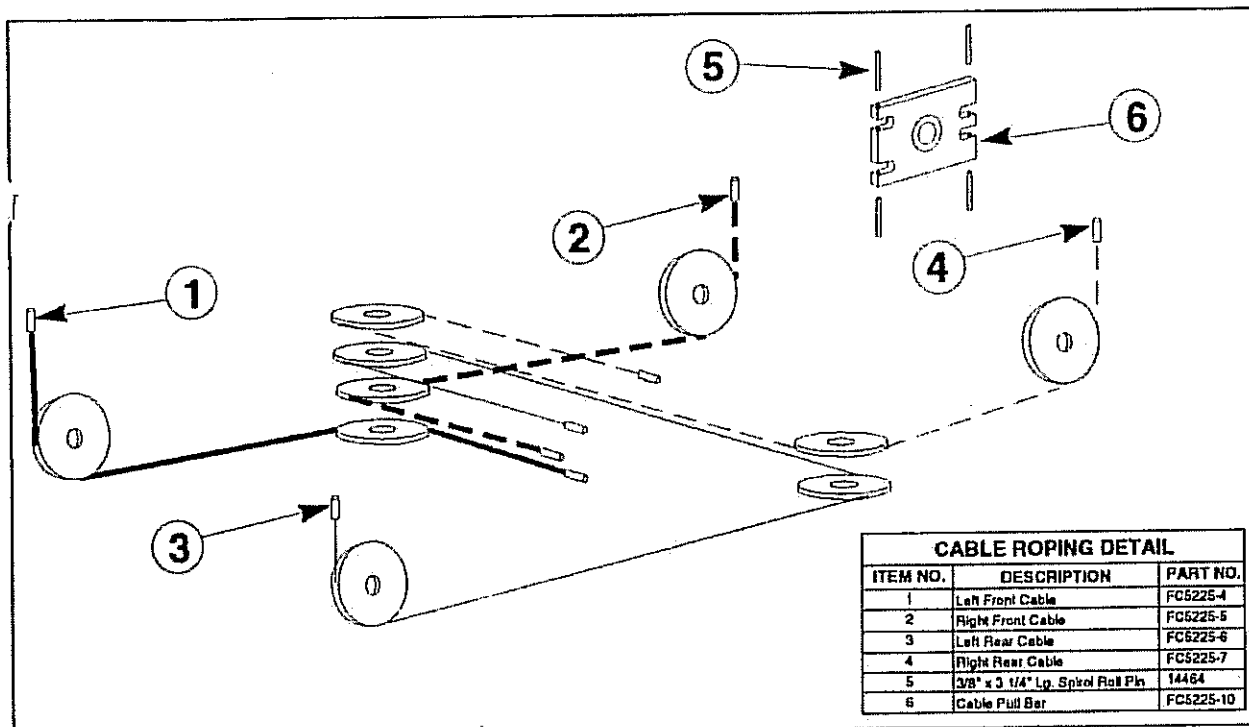


NOTE: For Replacement Parts - See Your Nearest Rotary Distributor

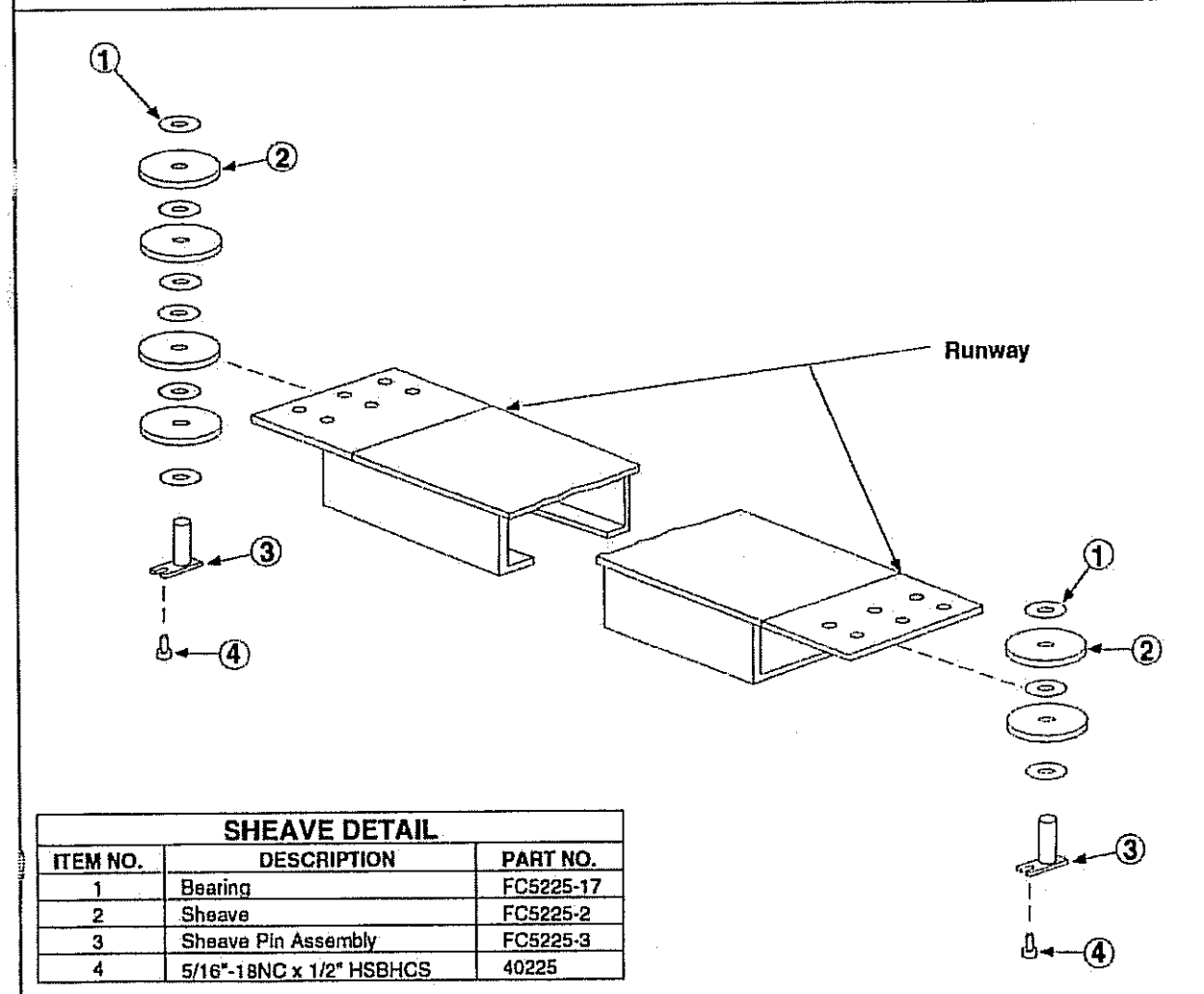


SM270 COMPONENTS

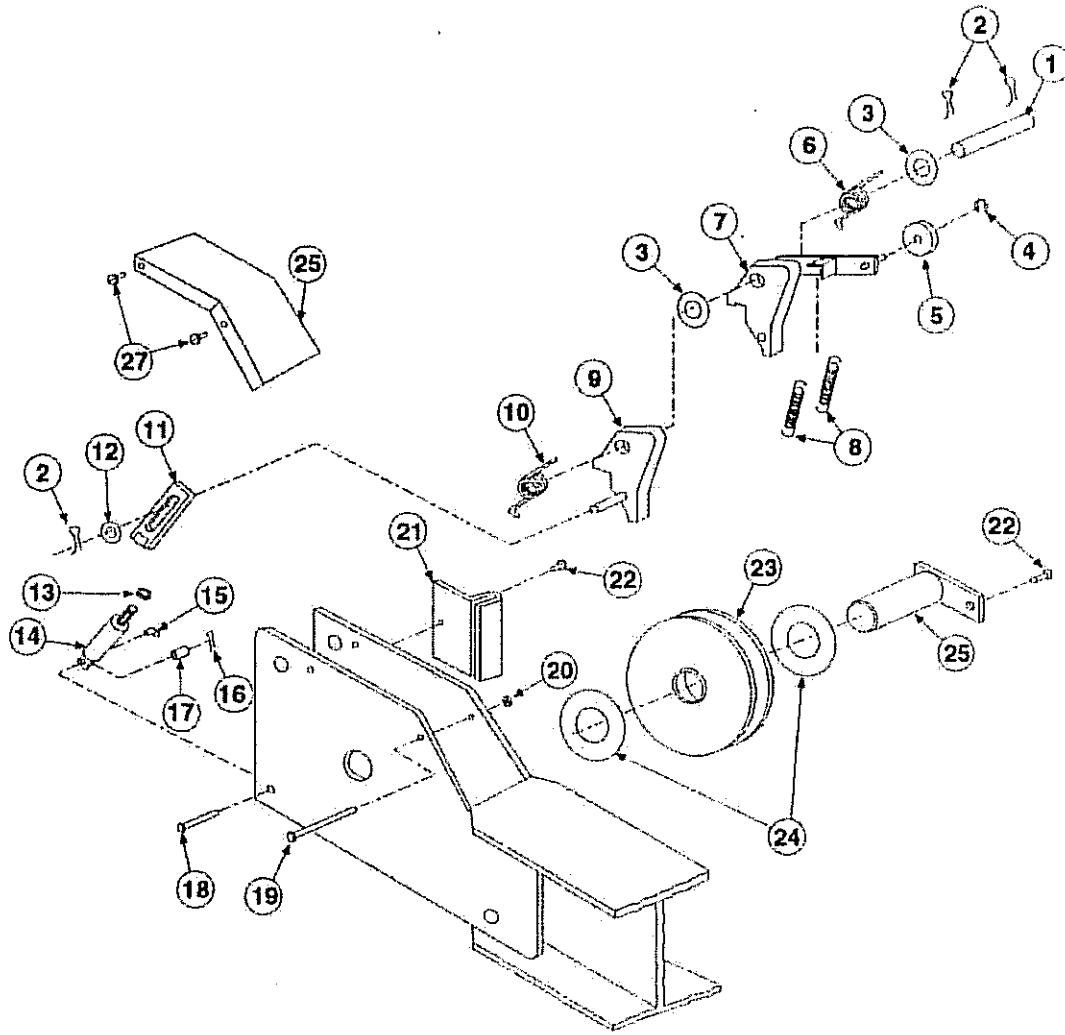
ITEM NO.	DESCRIPTION	PART NO.	ITEM NO.	DESCRIPTION	PART NO.
1	Left Hand Runway Assembly (includes, cylinder, cables and sheaves)	FC5386	16	Front Yoke Assembly (includes latches)	FC5226
2	Right Hand Runway Assembly	FC5386-5	17	3/4" - 10NC x 2" Lg. Flange Cap Screw (Grade 8 min.)	40443
3	5/8" - 11NC x 2 1/2" Hex Cap Screw (High Strength)	40344	18	Plastic Shim	FJ716-6
4	5/8" - 11NC McClean-Forg Nut	40360	19	Hydraulic Cylinder	FC5225-15
5	Wheel Stop	FC5225-42	20	Clevis Pin	FC5225-23
6	Hinge Assembly	FC5225-40	21	3/16" x 3" Cotter Pin	41253
7	5/8" Pushnut Fastener	FC5170-4	22	Cable Pull Bar	FC5225-10
8	Hinge Pin	FC5225-43	23	Slide	FC5160-12
9	5/32" x 1" Cotter Pin	41202	24	1 3/4" - 5/16 Heavy Hex Nut	40777
10	Ramp/Chock Assembly	FC5225-52	25	1 3/4" - 5/16 Heavy Hex Jam Nut	40778
11	Ramp/Chock Weldment	FC5225-36	26	Right Hand Column	FC5465
12	Plastic Slide	FC134-33	27	Left Hand Column	FC5454
13	#10-24NC x 3/4" Lg. Machine Screw	40030	28	Power Unit Column	FC5466
14	#10 SAE Washer	40785	29	Power Unit	PF67
15	#10-24NC Hex Nut	40630	30	Anchor Bolt	FC5393-3
16	Front Yoke	FC5224-1	31	1 1/8" - 7NC Hex Nut	40760
17	Front Yoke Assembly (includes latches)	FC5224	32	1 1/8" - 7NC Hex Jam Nut	40770
18	Rear Yoke	FC5226-1	33	Rear Wheel Chock	FC337



CABLE ROPING DETAIL		
ITEM NO.	DESCRIPTION	PART NO.
1	Left Front Cable	FC5225-4
2	Right Front Cable	FC5225-5
3	Left Rear Cable	FC5225-6
4	Right Rear Cable	FC5225-7
5	3/8" x 3 1/4" Lg. Spiral Roll Pin	14464
6	Cable Pull Bar	FC5225-10

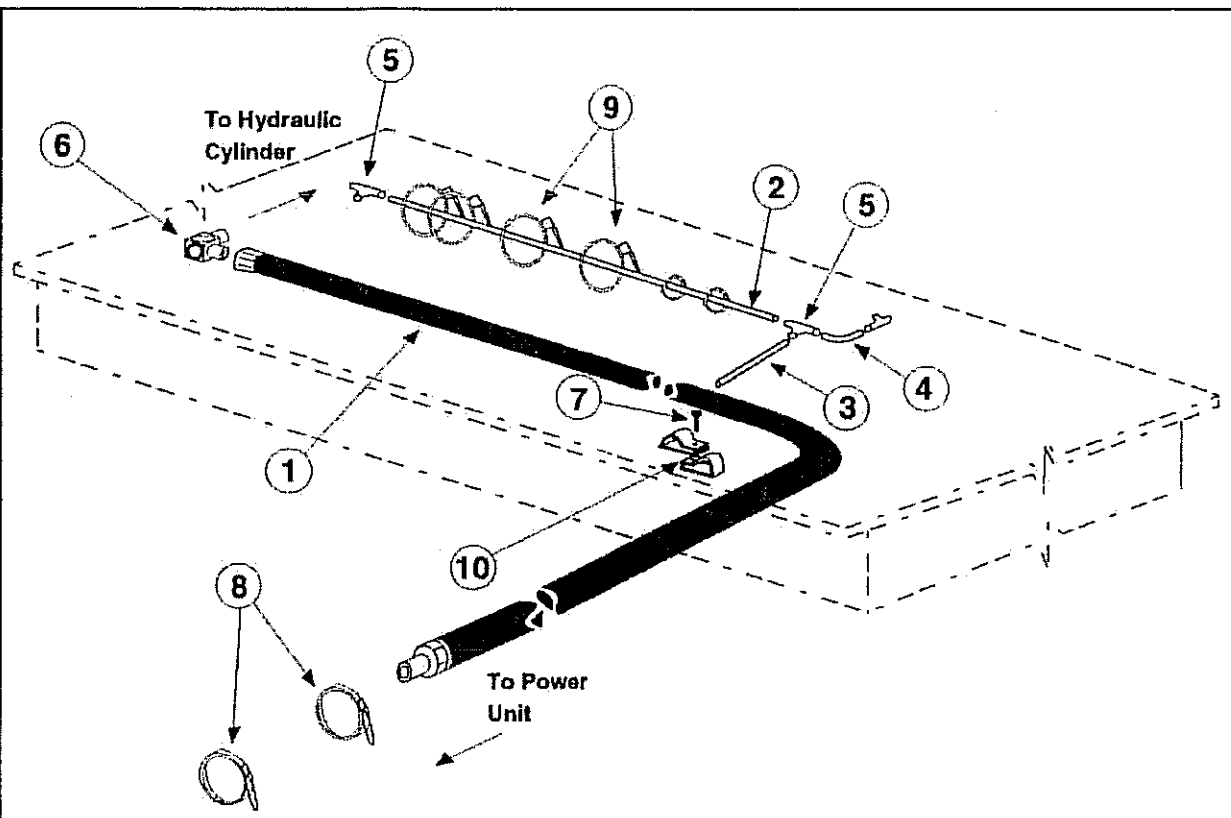


SHEAVE DETAIL		
ITEM NO.	DESCRIPTION	PART NO.
1	Bearing	FC5225-17
2	Sheave	FC5225-2
3	Sheave Pin Assembly	FC5225-3
4	5/16"-18NC x 1/2" HSBHCS	40225



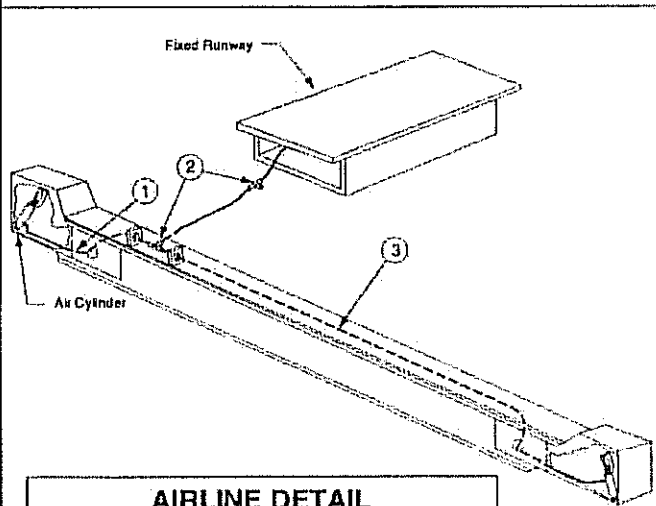
YOKE END DETAIL

ITEM	DESCRIPTION	PART NO.	ITEM	DESCRIPTION	PART NO.
1	Latch Shaft	FC5224-17	14	Air Cylinder	FC5224-33
2	1/8" x 1 1/4" Cotter Pin	41201	15	Elbow	FC5224-39
3	Bushing	41387	16	3/32" x 1/2" Cotter Pin	41165
4	Clip Ring for 3/8" Shaft	41409	17	Spacer	FC5224-50
5	Slack Cable Roller	FC5224-72	18	Clevis Pin	FC5224-32
6	Left Hand Torsion Spring	FC5224-62	19	1/4" - 20NC Hex CS x 4 1/2" Lg.	40116
7	Slack Cable Locking Latch	L.H. FC5224-71 R.H. FC5224-70	20	1/4" - 20NC Hex Jam Nut	40640
8	Extension Spring	FC522-25	21	Plastic Slider	FC5301-97
9	Locking Latch	L.H. FC5224-13 R.H. FC5224-16	23	Sheave	FC5225-2
10	Right Hand Torsion Spring	FC5224-63	24	Bearing	FC548-5
11	Slotted Bracket	FC5224-35	25	Sheave Pin Assembly	FC5224-21
12	3/8" Cut Washer	40820	26	Yoke End Cover	FC5224-30
13	1/4" - 28NF Hex Jam Nut	40622	27	1/4" - 20NC x 1/2" Hex Tap Screw	40067



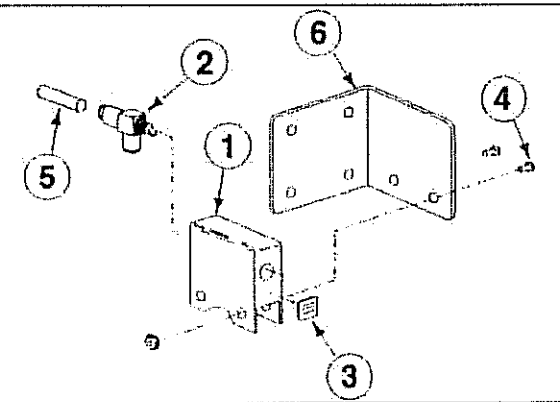
TUBING DETAIL

ITEM	DESCRIPTION	PART NO.	ITEM	DESCRIPTION	PART NO.
1	Hose	FC5225-16	6	Elbow Adapter	FJ7224
2	Main Tube	FC5225-55	7	1/4" - 20NC x 1/2" Long Type 'T'	40067
3	Supply Tube	FC5225-56	8	Wire Tie	FJ7108-5
4	Union Tube	FC5225-54	9	Cable Tie	FC5225-26
5	Union Tee	FC5225-46	10	Hose Clip	FJ7205



AIRLINE DETAIL

ITEM NO.	DESCRIPTION	PART NO.
1	Short Airline	FC5224-42
2	Union Tee	FC5225-46
3	Long Airline	FC5224-41



AIR VALVE PARTS

ITEM NO.	DESCRIPTION	PART NO.
1	Air Valve Bracket	FA3134-3
2	Air Valve	FA2273-3
3	Nameplate	NP280
4	5/16"-18NC HSBHCS x 1/2" Lg.	40225 40670
5	Air Line Tube	FA3134-11
6	Control Assembly Bracket	FA2230-17