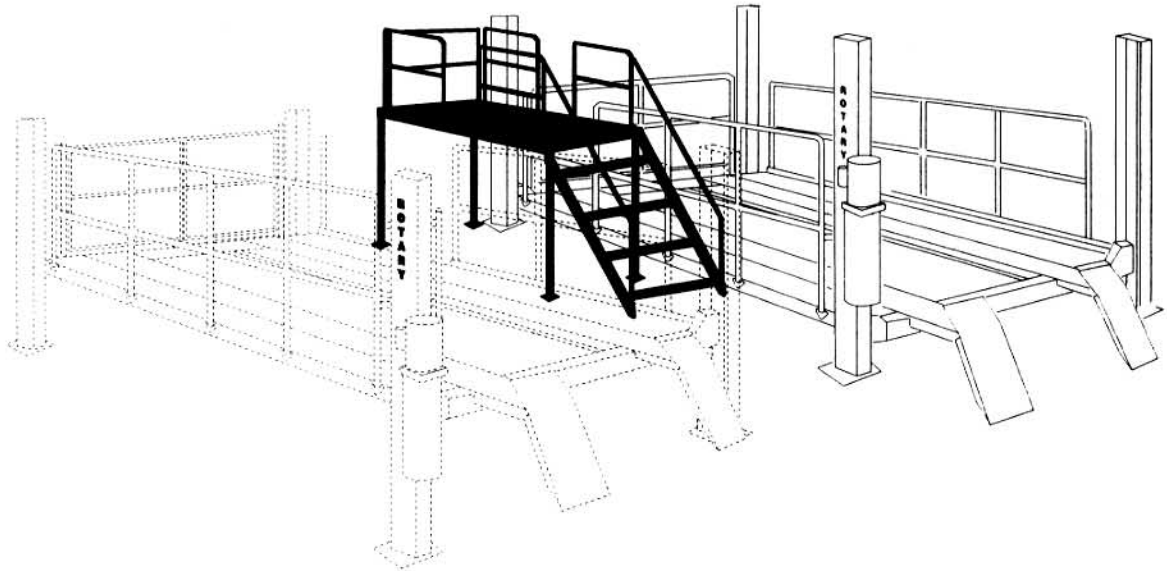




World Leader in Lift System

# QLHV MODELS

## PARTS BREAKDOWN



**IMPORTANT:** When ordering parts or requesting service, always give exact model and power unit serial number. Model number is shown on nameplate attached to power unit column. Power unit serial number is located on side of reservoir.

### NOTES:

### OWNER'S RECORD

Complete information at right and keep in a safe place.

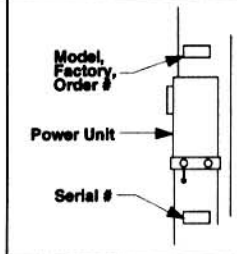
Date Installed \_\_\_\_\_/\_\_\_\_\_/\_\_\_\_\_

Installed in Bay # \_\_\_\_\_

Std. Serial # \_\_\_\_\_

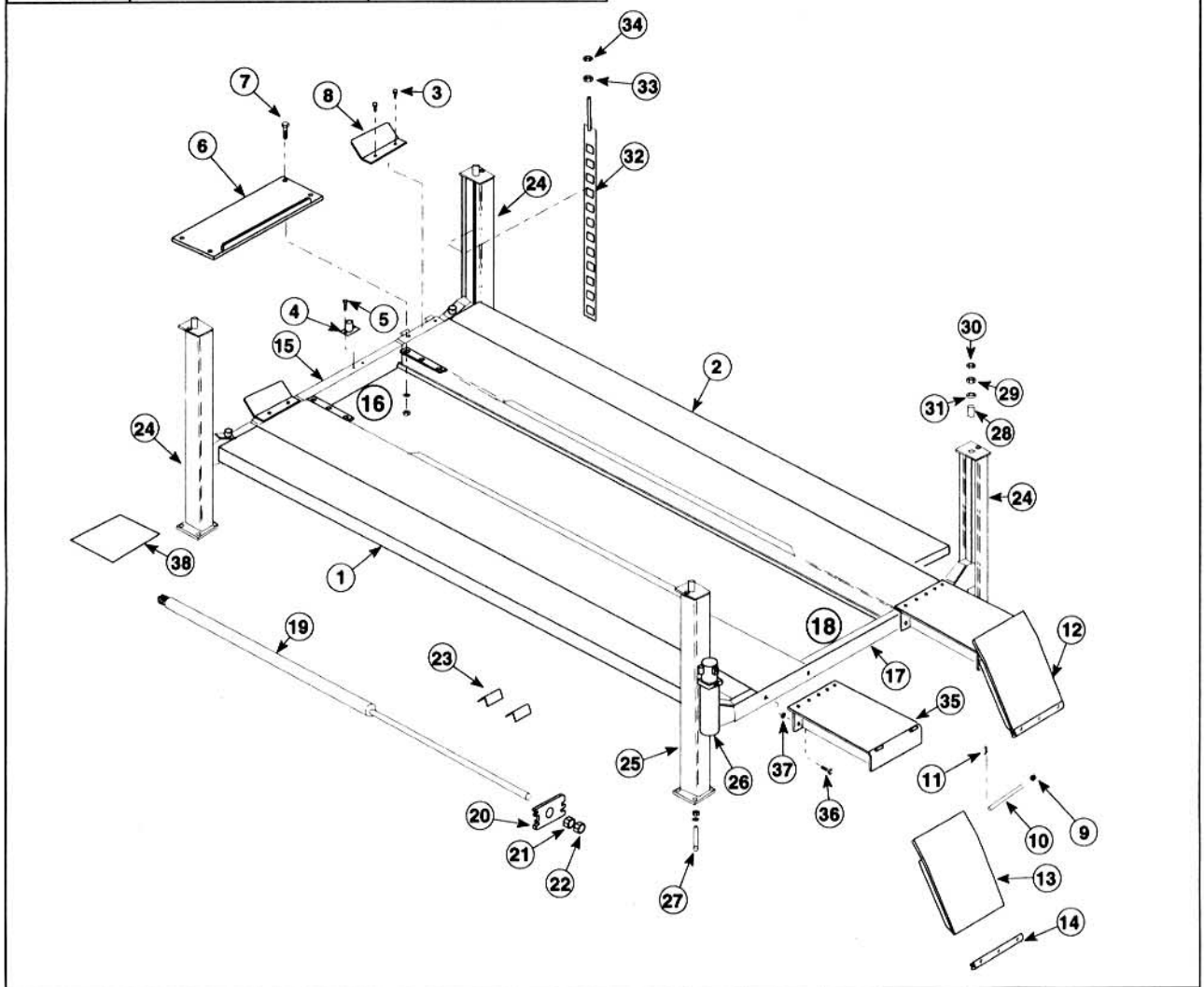
Factory Order # \_\_\_\_\_

Model # \_\_\_\_\_

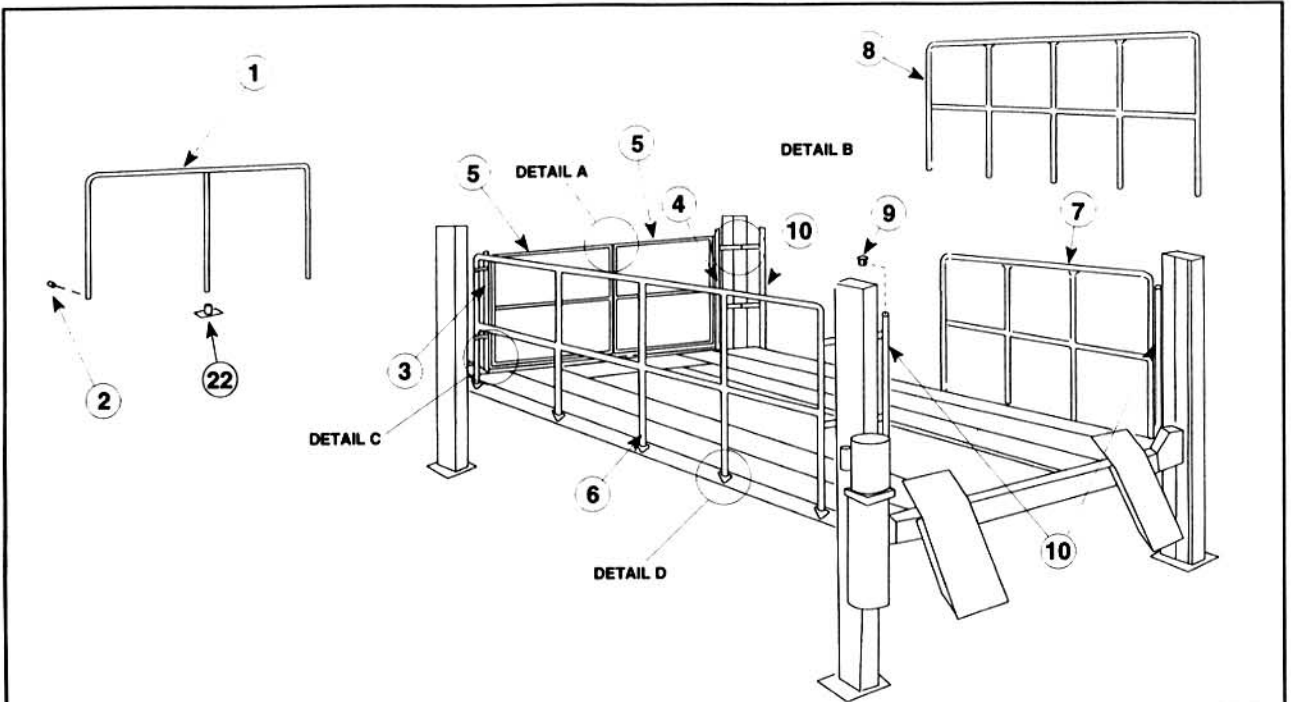


Note: For Replacement Parts - See Your Nearest Rotary Parts

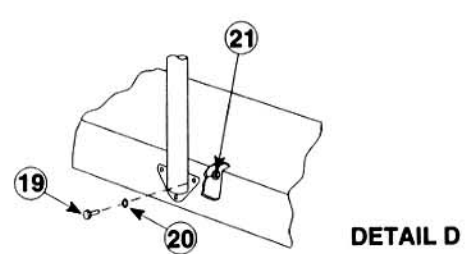
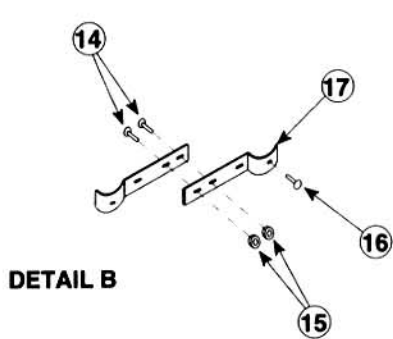
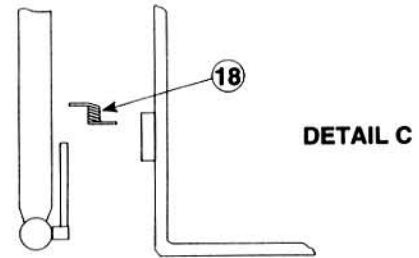
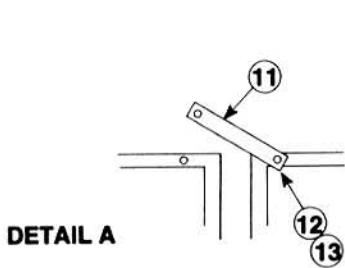
RUNWAYS		
Lift Model No.	Left Hand Runway Assembly (Includes cylinder, cables and sheaves)	Right Hand Runway Assembly
QLHV-1	FC5728	FC5729
QLHV-2	FC5730	FC5731
QLHV-3	FC5728	FC5729
QLHV-4	FC5730	FC5731
QLHV-5	FC5732	FC5733
QLHV-6	FC5734	FC5735
QLHV-7	FC5506	FC5727
QLHV-8	FC5736	FC5737
QLHV-9	FC5506	FC5727
QLHV-10	FC5736	FC5737
QLHV-11	FC5732	FC5733
QLHV-12	FC5734	FC5735
QLHV-13	FC5728	FC5739
QLHV-14	FC5738	FC5731
QLHV-15	FC5732	FC5741
QLHV-16	FC5740	FC5735
QLHV-17	FC5506	FC5743
QLHV-18	FC5742	FC5737
QLHV-19	FC5506	FC5737
QLHV-20	FC5732	FC5735



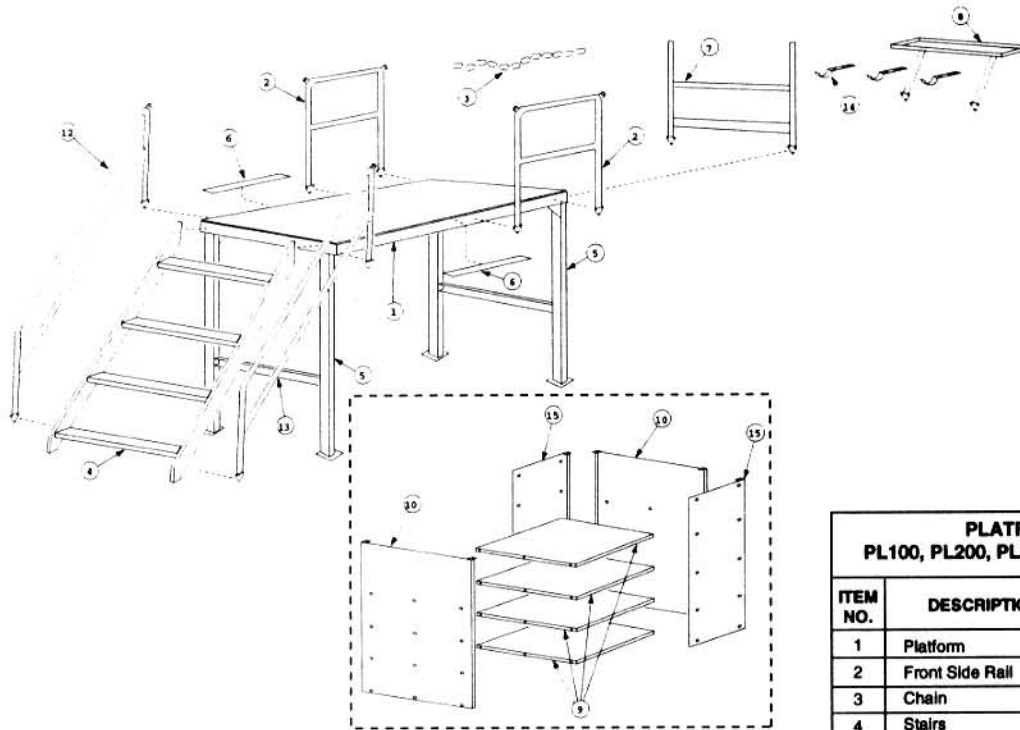
<b>REPLACEMENT PARTS</b>		
<b>ITEM NO.</b>	<b>DESCRIPTION</b>	<b>PART NO.</b>
1	Left Hand Runway Assembly (Includes: cylinder, cables and sheaves)	<b>Table on Opposite Page</b>
2	Right Hand Runway Assembly	
3	1/2"-13NC x 1 1/4" Flg. Whiz-Lock HHCS ZPL	40279
4	Center Support	FC5459-1
5	1/2" x 1" Flange Head Bolts	40282
6	Center Manway	FC5239
7	3/8" -16NC Hex Head Cap Screw x 1" Lg. Bolt	40140
	3/8" -16NC Hex Nut	40660
8	Wheel Stop	FC342
9	5/8" Push-nut Fastener-TRW #PW625019 (or equal)	FC5179-4
10	Hinge Pin	FC134-99
11	5/32" x 1" Cotter Pin	41202
12	Ramp / Chock Assembly	FC134-12
13	Ramp / Chock	FC134-65
14	Ramp / Chock Slide	FC134-33
15	Front Yoke	FC5709-1
16	Front Yoke Assembly (Includes Latches)	FC5709
17	Rear Yoke	FC5706-1
	Rear Yoke for lift with 2' extensions	FC5747-1
18	Rear Yoke Assembly (Includes Latches)	FC5706
	Rear Yoke Assembly (Includes Latches) for lift with 2' extensions	FC5747
19	Hydraulic Cylinder	FC5797
20	Cable Pull Bar	FC543
21	1 3/8"-6NC Hex Nut	40771
22	1 3/8"-6NC Hex Jam Nut	40773
23	Triangular Wheel Chock	FC320
24	Column	FC5704
25	Power Unit Column	FC5705
26	Power Unit	P761
27	5/8" Anchor Bolt	FC5228
28	Spacer	FC5287
29	7/8"-9NC Hex Nut	40765
30	7/8"-9NC Hex Jam Nut	40766
31	7/8" Flat Washer	41073
32	Latch Bar	FC5704-3
33	3/4"-10NC Hex Jam Nut	40759
34	3/4"-10NC Hex Nut	40760
35	2' Bolt-on Runway Extension	FC5750
36	1/2"-13NC HHCS x 2" lg. Bolt	40316
37	1/2"-13NC Jam Nut	40700



RAILINGS					
ITEM NO.	DESCRIPTION	PART NO.	ITEM NO.	DESCRIPTION	PART NO.
1	Front Railing	FC5444	12	Push Nut	40721
2	3/8"-16NC Set Screw x 1/2" Lg.	40125	13	Gate Pin	FC5237-25
3	Left Gate Post	FC5466	14	1/4"-20NC x 1/2" Lg. Hex Cap Screw	40062
4	Right Gate Post	FC5469	15	1/4"-20NC Hex Flanged Lock Nut	40641
5	Gate Section	FC5237-15	16	1/4"-20NC x 1/2" Lg. Hex Tapping Screw	40067
6	Long Railing	FC5509	17	Adjustable Strap	FC5470
7	Short Railing	FC5745	18	Gate Torsion Spring	FC5237-27
8	Intermediate Railing	FC5744	19	3/8"-16NC Hex Cap Screw x 1" Lg.	40140
9	Plastic Plug	Kee Klamp #77-7	20	3/8" Ext. Tooth L.W.	40845
10	Rail Post	FC5746	21	3/8"-16NC Hex Nut	40660
11	Gate Latch	FC5237-31	22	Center Support	FC5459-1



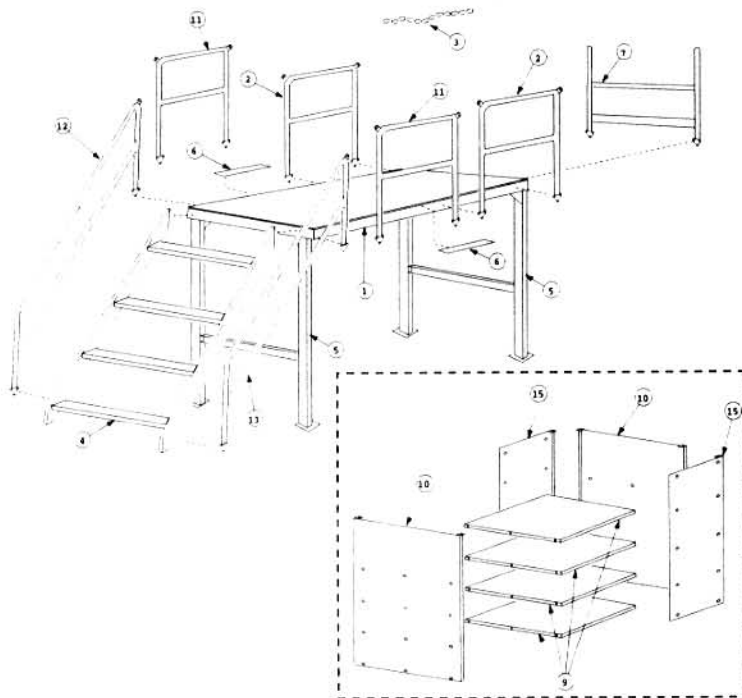
## PL100 and PL300\* Platforms



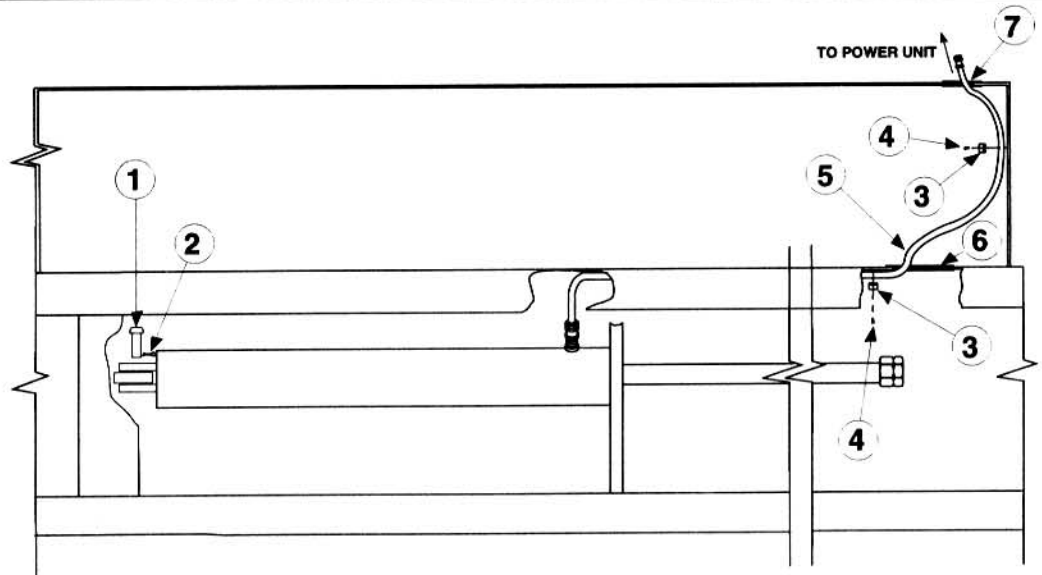
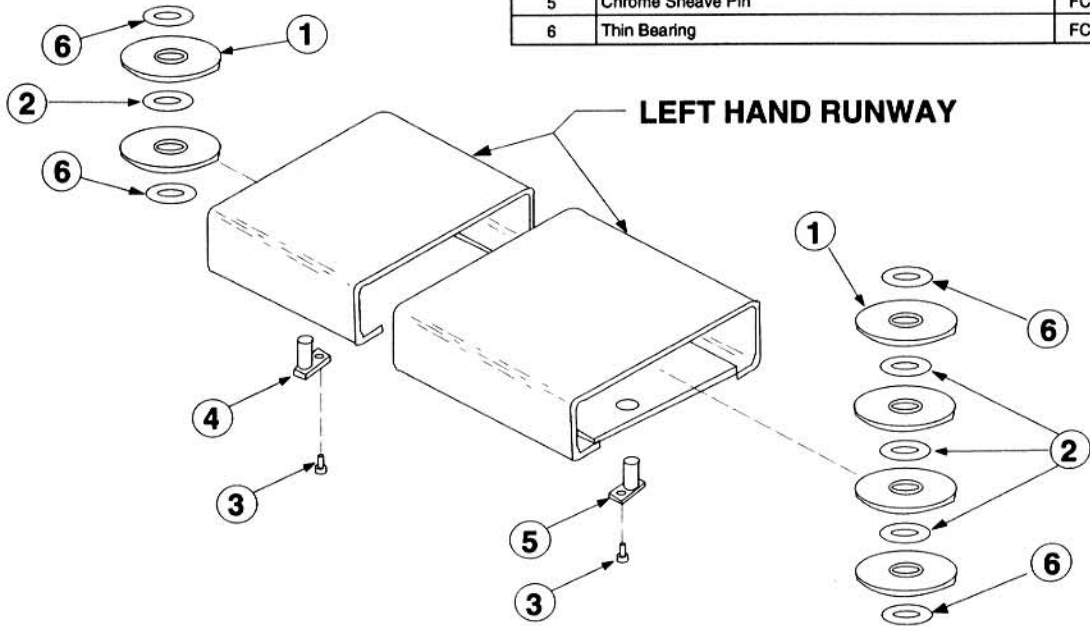
PLATFORMS PL100, PL200, PL300, PL400, PL500			
ITEM NO.	DESCRIPTION	PART NO.	
			PL500
1	Platform	PL101	PL501
2	Front Side Rail	PL106	SEE LEFT COLUMN
3	Chain	-	SEE LEFT COLUMN
4	Stairs	PL103	PL503
5	Platform Leg Assembly	PL102	PL502
6	Ledge (PL100)	PL101-7	SEE LEFT COLUMN
	Ledge (PL200)	PL202	SEE LEFT COLUMN
7	Front Rail	PL105	PL505
8**	Stand	PL108	
9*	Shelves (40")	PL109-1	
	Shelves-Narrow (20")	PL110-1	
10*	Side Panels	PL109-2	SEE LEFT COLUMN
11	Back Side Rail (PL200)	PL201	
12	Left Stair Rail	PL107	
13	Right Stair Rail	PL104	
14	Rail Strap	FC5470	
15*	Narrow Side Panels	PL109-5	

\*Shelving not available for PL300, PL400 or PL500.  
 \*\*Not available on PL500.

## PL200 and PL400\* Platforms

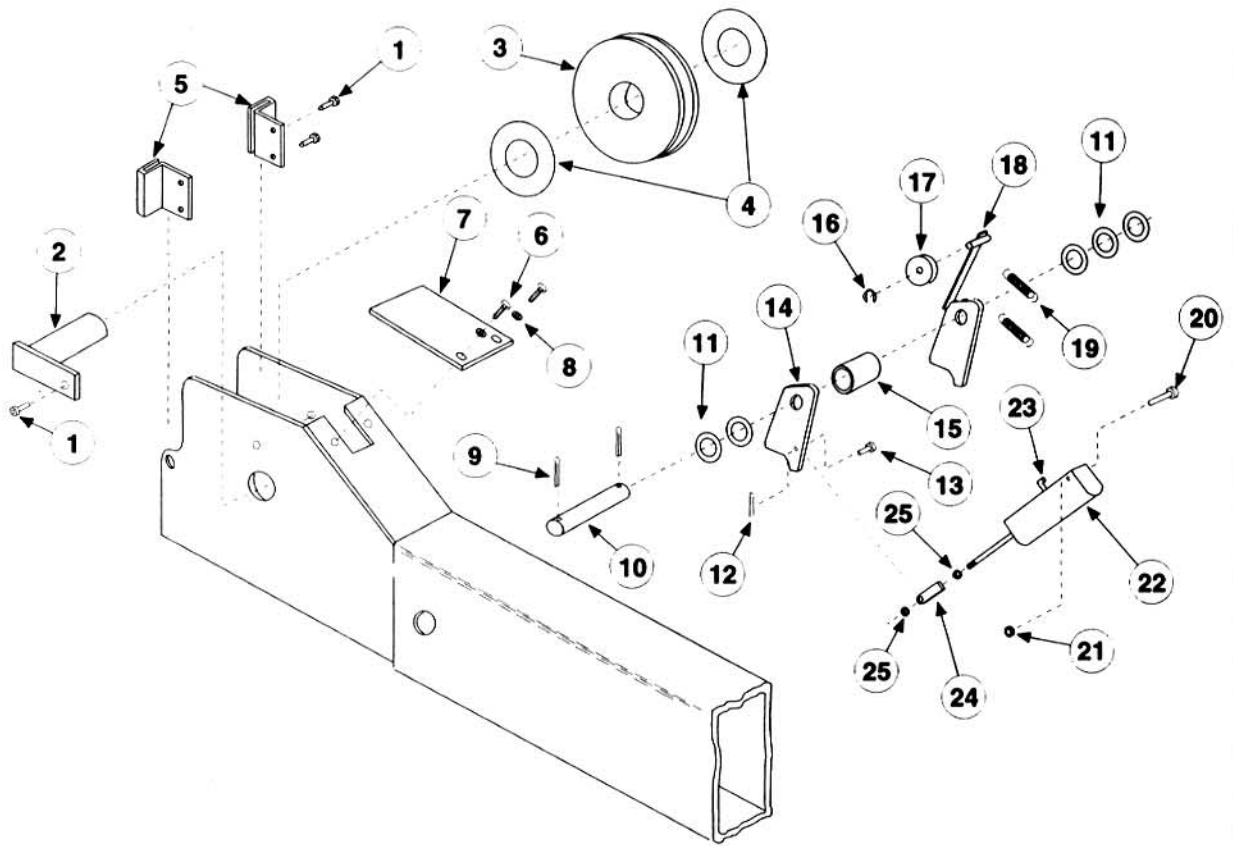


SHEAVE DETAIL		
ITEM NO.	DESCRIPTION	PART NO.
1	Sheave	FC548
2	Spacer	FC5346-2
3	5/16"-18NC HSBHCS x 1/2" Lg.	40225
4	Sheave Pin	FC555-1
5	Chrome Sheave Pin	FC5728-7
6	Thin Bearing	FC548-5



HYDRAULIC HOSE DETAIL		
ITEM NO.	DESCRIPTION	PART NO.
1	Clevis Pin	FC5346-1
2	3/16" x 1 1/4" Cotter Pin	41247
3	Clamp	FA2239-1
4	#10-24NC Slotted HHTS x 5/8" Lg.	40029
5	Power Unit Hose	FC5798
6	Strip Grommet	FC5317-12
7	Grommet	FC5317-11

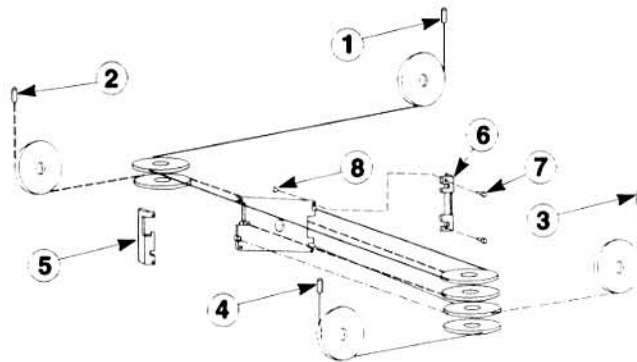
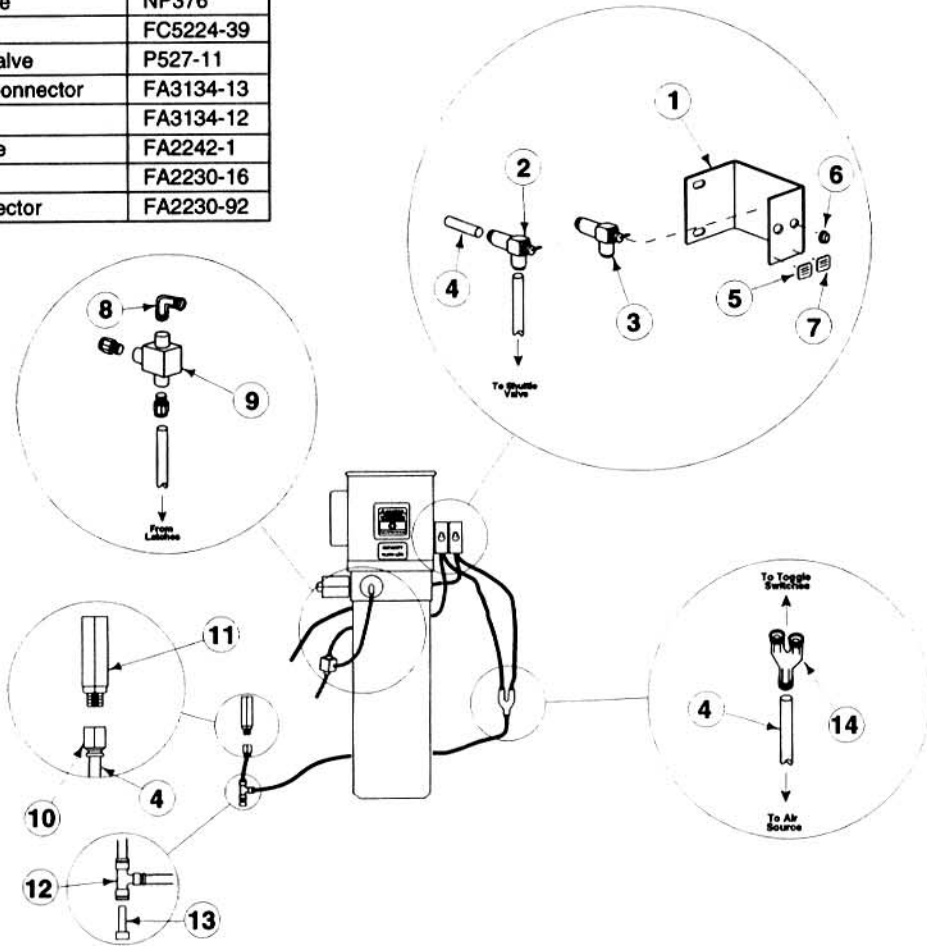
(view is underside of Left Hand Runway)



**YOKE END DETAIL**

ITEM	DESCRIPTION	PART NO.	ITEM	DESCRIPTION	PART NO.
1	5/16"-18NC x 1/2" Lg. Button Head Screw	40225	14	Latch	FC5706-10
2	Sheave Pin	FC5224-21	15	Spacer	FC5706-9
3	Sheave	FC548	16	3/8" Snap Ring TRUARC #5304-37	41410
4	Plastic Bearing	FC548-5	17	Slack Cable Roller	FC553-21
5	Slider	FC5706-16	18	Slack Cable Latch	FC5706-8
6	1/4" 20NC HHTS x 1/2" Lg.	40067	19	Extension Spring	FC522-25
7	Rubber Guard	FC553-10	20	1/4"-20NC HHCS X 1 1/2" Lg.	40081
8	1/4" Plain Washer	40780	21	1/4"-20NC Hex Nut w/locking nylon insert	40642
9	Cotter Pin, 1/8" X 1 1/4"	41201	22	Air Cylinder	FC5706-2
10	Latch Shaft	FC5224-17	23	Elbow	FC5224-39
11	Washer	FC5301-98	24	Clevis	FC5706-7
12	1/4" Hairpin Cotter Pin (.05" dia. wire)	41901	25	1/4" -28NF Hex Nut	40622
13	Clevis Pin	FA2230-12			

AIRLINE DETAIL		
ITEM NO.	DESCRIPTION	PART NO.
1	Control Ass'y. Bracket	FA2273-7
2	Air Valve - Red Switch	FA2273-14
3	Air Valve - Black Switch	FA2273-3
4	1/4" Tubing	FA2273-4
5	Nameplate	NP375
6	Housing Collar	V-79
7	Nameplate	NP376
8	Elbow	FC5224-39
9	Shuttle Valve	P527-11
10	Female Connector	FA3134-13
11	Filter	FA3134-12
12	Union Tee	FA2242-1
13	Plug	FA2230-16
14	"Y" Connector	FA2230-92

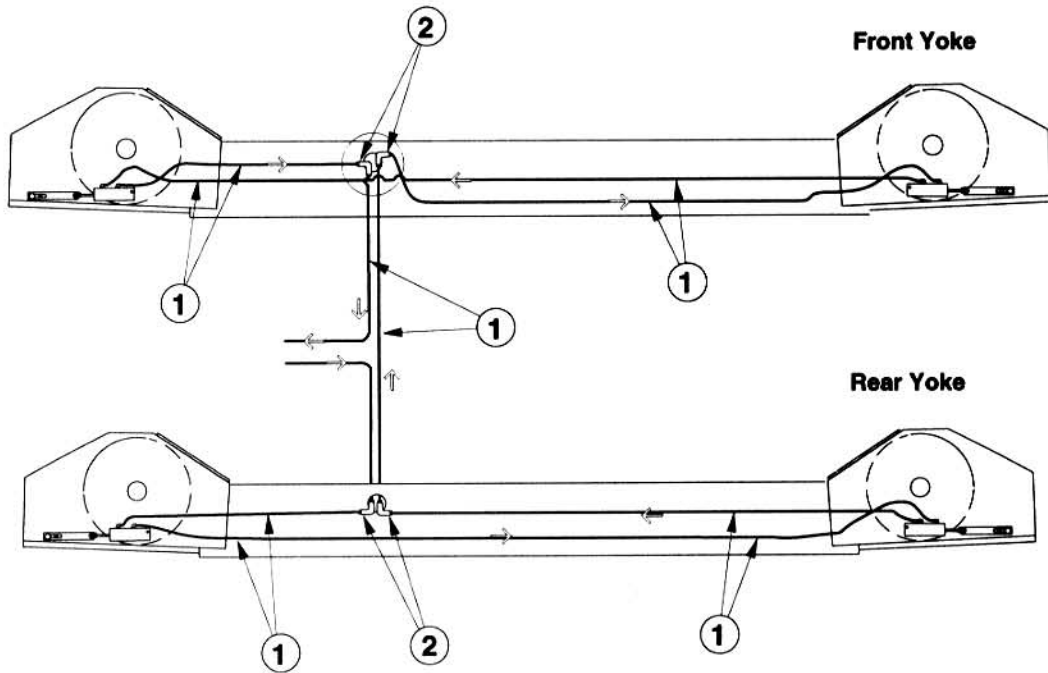


CABLES			
ITEM NO.	DESCRIPTION	PART NO.	
		Standard Length*	2' longer runways
1	Right Front Cable	FC547	FC5551-12
2	Left Front Cable	FC546	FC5551-11
3	Right Rear Cable	FC545	
4	Left Rear Cable	FC544	
5	Left Cable Retaining Bar	FC543-3	
6	Right Cable Retaining Bar	FC543-2	
7	1/4"-20NC x 1 1/2" HHCS	40110	
8	1/4"-20NC Hex Nut w/ locking nylon	40642	

\*Includes runways with 2' extension



**LIFTS EQUIPPED WITH VENIX AIR CYLINDERS**



AIRLINE DETAIL		
ITEM	DESCRIPTION	PART NO.
1	Airline Tubing (Cut To Fit)	FA2230-2
2	Elbow	P527-22