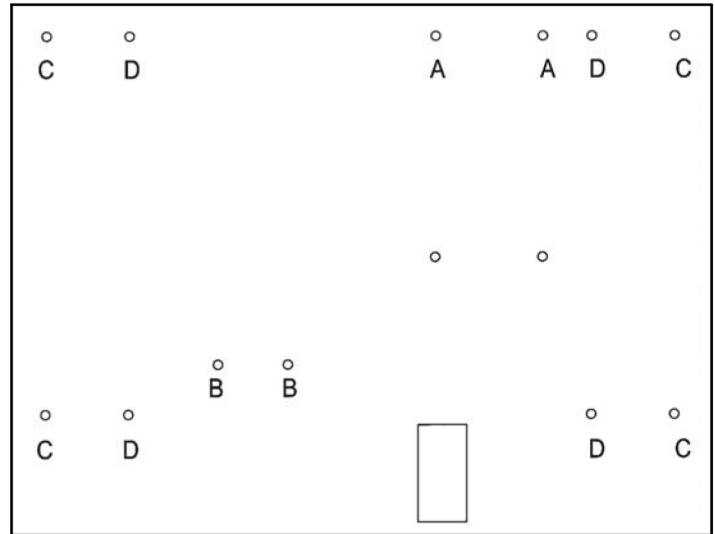


Installation Instructions

(Approx. Install Time: 1 to 2 hours)

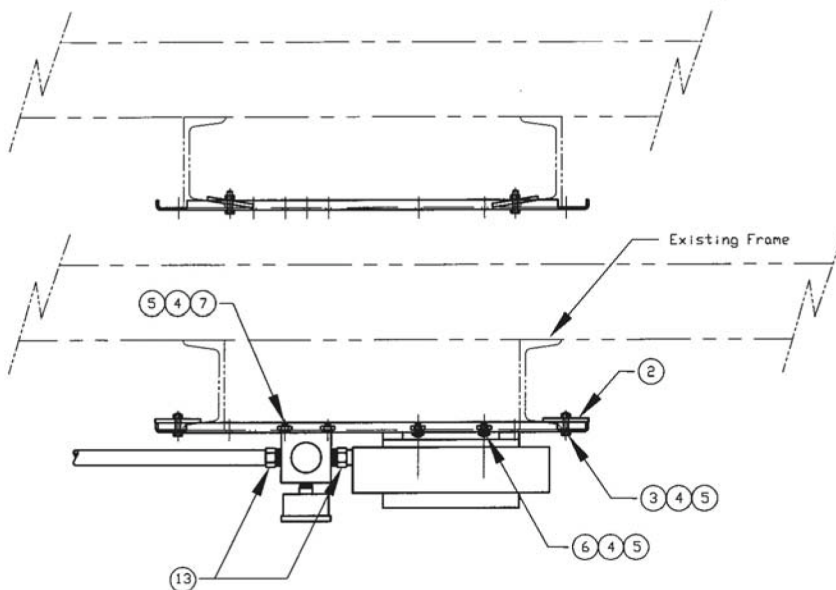
Mount Pump and Regulator:

1. Mount the pump (detail 8, page 3) with two 8-32 pan head machine screws, lock washers and nuts in mounting holes "A".
2. Screw the pressure gage into the filter regulator using Teflon pipe tape. The gage goes in the port so that the flow direction is left to right (look at the arrow head on the face of the regulator). Make sure the port opposite the gage is plugged.
3. Mount the filter regulator (detail 10, page 3) with two 8-32 socket head cap screws, lock washers and nuts in mounting holes "B".
4. Screw two 1/4" hose barbs into the filter regulator using Teflon pipe tape.
5. Cut a six inch long piece of 1/4" air hose and connect the outlet of the filter regulator to the "GAS IN" port of the pump.



Open:

Remove the center cover plate from the cassette lift.



Look:

The pump package panel mounts on the side of the lift without (opposite) the coiled air hose. To clamp the pump package panel to two vertical channels of the cassette lift frame, first determine if the flanges of the channels face inward, outward, or are facing in the same direction (see drawing left).

Prepare:

Preload the strap clamps and screws in the four outer mounting holes marked "C" on the first page drawing if the flanges face

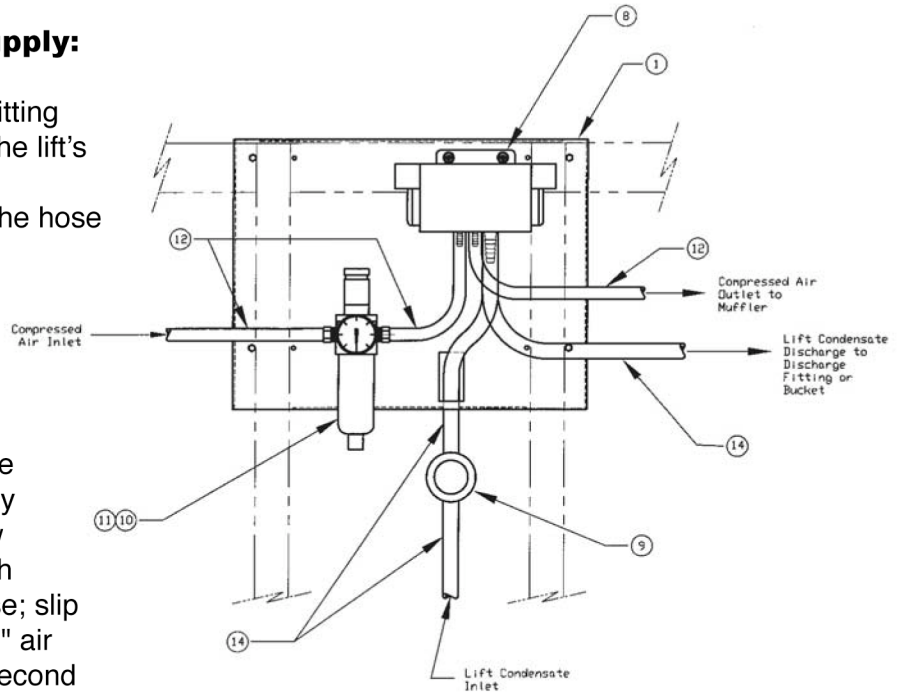
outward; in the inner mounting holes marked "D" if the flanges face inward. If the flanges face in the same direction, install an extra set of screws and nuts as stops in the outer mounting holes for the channel that faces inward. Then preload the strap clamps and screws in the inner mounting holes for that channel and in the outer mounting holes for the second channel.

Install the Panel:

1. Position the panel against the channel so the top flange of the panel rests against the top of the vertical channels (see drawing on next page).
2. Clamp the panel to the channels using the strap clamps.

Install the Compressed Air Supply:

1. Unscrew the coiled air hose fitting from the coupling welded to the lift's frame.
2. Screw the 1/4 NPT Tee with the hose barb fitting into the coupling using Teflon tape.
3. Screw the coiled air hose fitting into the end of the coupling using Teflon tape.
4. Push one end of the 1/4" hose on to the filter/regulator supply side hose barb; measure how much hose is needed to reach the 1/4 NPT Tee; trim the hose; slip two hose clamps over the 1/4" air hose; push the hose on the second hose barb fitting; clamp the hose with the hose clamps over both hose barbs.



Install the Pump Inlet Hose:

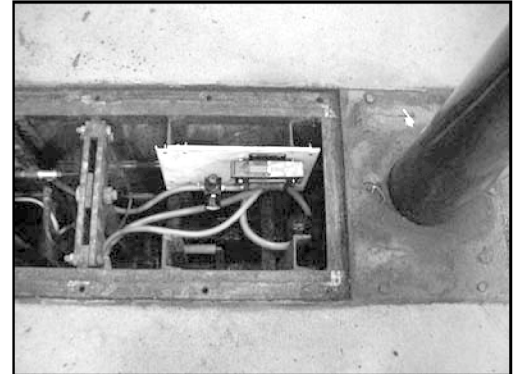
1. Cut one end of the 3/8" hose on a 30° angle and punch or drill a small hole through the hose so you can push the hitch pin through the hose.
2. Slip the ballast weight on the hose and push the hitch pin through the hose so it stops the ballast weight from coming off the hose.
3. Lower 3/8" hose end with ballast weight down behind the installed panel until the end reaches the bottom of the lift containment shell.
4. Feed the other end of the 3/8" hose through the rectangular hole in the panel. This holds the hose against the side of the shell, out of the way of the equalizer beam.
5. Cut the hose leaving about 12 inches extending in front of the hole in the panel.

19	1	BH-9786-25-10	Hitch Pin
18	1	BH-9786-25-09	Sump Line Wt.
17	2	BH-9786-25-08	Hose Clamp - 7/32 to 5/8"
16	1	BH-9786-25-07	Nipple - 1/4 NPT Close
15	1	BH-9786-25-06	Galv. Pipe Tee - 1/4 NPT
14	30	BH-9786-25-05	Air Hose 3/8" - (FT.)
13	3	BH-9786-25-04	1/4 NPT Push-On Hose Barb
12	16	BH-9786-25-03	Air Hose 1/4" - (FT.)
11	1	BH-7070A-11	Pressure Gage
10	1	BH-7070A-09	Filter Regulator
9	1	BH-9786-27	Pump Strainer
8	1	BH-9786-26	Diaphragm Pump
7	2	F-SC-0008-32-1562	8-32 UNC x 1-9/16 SHCS
6	2	F-PH-0008-32-0375	8-32 UNC x 3/8 Truss HMS
5	10	F-NL-0008-32	8-32 UNC Hex Nut
4	10	F-LW-0008	No. 8 Lock Washer
3	6	F-HC-0008-32-0625	8-32 UNC x 5/8 HHCS
2	4	BH-9786-25-02	Strap Clamp
1	1	BH-9786-25-01	Mounting Plate
DET.	QTY.	PART NO.	DESCRIPTION

6. Insert inlet hose barb of the Pump Strainer into the hose (with the flow arrow on the side of the strainer pointing away from the hose).
7. Push another piece of 3/8" hose on the Pump Strainer outlet hose barb.
8. Trim the hose so you have enough hose to reach the pump inlet (approximately 10 inches), and push the hose on the pump inlet hose barb.

Install the Pump Discharge Hose:

1. Push a fish tape through the PVC service conduit from the power unit side to the lift.
2. Cut a 3/16" x 3/8" hole in the side of a 3/8" hose, 3/4" from the end of the hose.
3. Push the end of the fish tape through the hole and hook the hose on the fish tape wiring the fish tape loop closed.
4. Push and pull the 3/8" hose through the PVC service conduit. Pull enough hose through the end of the conduit to reach comfortably to a collection bucket (supplied by customer).
5. Determine how much hose you need to reach the pump discharge hose barb; cut the hose to length; push the hose on the pump discharge hose barb.



Install the Air Outlet Hose:

1. Push a fish tape through the PVC service conduit from the power unit side to the lift.
2. Cut a 3/16" x 3/8" hole in the side of a 1/4" hose, 3/4" from the end of the hose.
3. Push the end of the fish tape through the hole and hook the hose on the fish tape wiring the fish tape loop closed.
4. Push and pull the 1/4" hose through the PVC service conduit. Pull about 9 inches out the end of the conduit, enough to form a 180 degree loop outside the PVC conduit.
5. Tie the air outlet hose to the existing hydraulic hose with wire ties, looping the air outlet hose and pointing the end towards the floor.
6. Determine how much hose you need to reach the pump discharge hose barb; cut the hose to length; push the hose on the pump discharge hose barb.

Run the Pump:

1. Actuate the air lock valve and set the air pressure regulator on the panel to 30 PSI.
2. Run the pump long enough to verify that the installation is successful. Condensate should be pumped at a rate of one gallon-per-minute or greater so long as there is sufficient condensate at the bottom of the lift.

Replace the service cover. Your installation is complete.

WARNING: THIS SYSTEM IS FOR REMOVING WATER FROM A CASSETTE LIFT. DO NOT PUMP GASOLINE OR FLAMMABLE LIQUIDS OR USE WHEN FLAMMABLE VAPORS ARE PRESENT.

Read Pump Service Tips (Instructions) before attempting to service pump.

**Thank you for
purchasing our**

STAY-DRY
SYSTEM™

Challenger Lifts

200 Cabel Street
Louisville, KY 40206

Toll Free: 800-648-5438
Phone: 502-625-0700
Fax: 502-625-0758

www.challengerlifts.com