

---

---

**CHAMPION®**

13-8-526  
Version: 00  
March 20, 2002

**ROTORCHAMP®**  
**BASE-MOUNTED**  
**COMPRESSOR**

**MODELS**

**EFAQAB - 5 HP**  
**EFAQBB - 7-1/2 HP**  
**EFAQCB - 10 HP**

**PARTS LIST**



## **MAINTAIN COMPRESSOR RELIABILITY AND PERFORMANCE WITH GENUINE CHAMPION® COMPRESSOR PARTS AND SUPPORT SERVICES**

Champion® Compressor genuine parts, manufactured to design tolerances, are developed for optimum dependability – specifically for Champion compressor systems. Design and material innovations are the result of years of experience with hundreds of different compressor applications. Reliability in materials and quality assurance is incorporated in our genuine replacement parts.

Your authorized Champion Compressor distributor offers all the backup you'll need. A worldwide network of authorized distributors provides the finest product support in the air compressor industry. Your local authorized distributor maintains a large inventory of genuine parts and he is backed up for emergency parts by direct access to the Master Distribution Center (MDC) in Memphis, Tennessee.

Your authorized distributor can support your Champion air compressor with these services:

1. Trained parts specialists to assist you in selecting the correct replacement parts.
2. Factory warranted new and remanufactured rotary screw airends. Most popular model remanufactured airends are maintained in stock at the Remanufacturing Center in Indianapolis, IN., for purchase on an exchange basis with liberal core credit available for the replacement unit.
3. A full line of factory tested RotorLub™ compressor lubricants specifically formulated for use in Champion compressors.
4. Repair and maintenance kits designed with the necessary parts to simplify servicing your compressor.

Authorized distributor service technicians are factory trained and skilled in compressor maintenance and repair. They are ready to respond and assist you by providing fast, expert maintenance and repair services.

**For the location of your local authorized Champion Air Compressor distributor, refer to the yellow pages of your phone directory or contact:**

**Factory:**  
Champion  
1301 N. Euclid Ave.  
Princeton, IL. 61356  
Phone: (815) 875-3321  
Fax: (815) 872-0421

### **INSTRUCTIONS FOR ORDERING REPAIR PARTS**

When ordering parts, specify Compressor MODEL, Method of Cooling, HORSEPOWER and SERIAL NUMBER (see nameplate on unit). The Serial Number is also stamped on top of the discharge bearing carrier casting.

All orders for Parts should be placed with the nearest authorized distributor.

Where NOT specified, quantity of parts required per compressor or unit is one (1); where more than one is required per unit, quantity is indicated in parenthesis. SPECIFY EXACTLY THE NUMBER OF PARTS REQUIRED.

DO NOT ORDER BY SETS OR GROUPS.

To determine the Right-Hand and Left-Hand side of a compressor, stand at the motor end and look toward the compressor. Right-Hand and Left-Hand are indicated in parenthesis following the part name, i.e. (RH) and (LH), when appropriate.

**TOTAL PRODUCT SUPPORT – CHAMPION'S  
CONTINUING COMMITMENT  
TO YOUR AIR COMPRESSOR PERFORMANCE**

Commitment to total product support continues long after the purchase of your quality Champion rotary screw compressor.

Champion original parts incorporate years of experience and improvements in design, materials and quality assurance. Maintaining your compressor investment with Champion parts will insure protection for the air compressor unit and long, dependable service life.

Your authorized Champion compressor distributor maintains a complete stock of all common maintenance parts, factory approved Rotorlub lubricants, and Champion factory warranted exchange airends. In addition, authorized distributor technicians are factory trained, and can provide complete diagnostic, compressor maintenance and repair services.

This manual is designed to assist you in maintaining high performance and receiving many years of dependable service you expect from your Champion compressor.

**REMANUFACTURED AIRENDS**

Whenever an airend requires replacement or repair, Champion offers an industry unique, factory remanufactured airend exchange program. From its modern Remanufacturing Center in Indianapolis, IN., Champion is committed to supplying you with the highest quality, factory remanufactured airends that are guaranteed to save you time, aggravation and money.

**Immediately Available**

Repair downtime costs you money, which is why there are over 200 remanufactured units in inventory at all times, ready for immediate delivery.

**Skilled Craftsmen**

Our Remanufacturing assembly technicians average over 20 years experience with air compression products.

**Precision Remanufacturing**

All potentially usable parts are thoroughly cleaned, inspected and analyzed. Only those parts that can be brought back to original factory specifications are remanufactured. Every remanufactured airend receives a new overhaul kit: bearings, gears, seals, sleeves and gaskets.

**Extensive Testing**

Champion performs testing that repair houses just don't do. Magnaflux and ultrasonic inspection spot cracked or stressed castings, monochromatic light analysis exposes oil leaks, and coordinate measurement machine inspects to +/- .0001", insuring that all remanufactured airends meet factory performance specifications.

**Warranty**

Champion backs up every remanufactured airend with a new warranty...18 months from purchase, 12 months from service.

Champion remanufactured airends deliver *quality without question...year in and year out.*

Call Champion for information on the airend exchange program and the name of your authorized distributor.

Phone Number: 815-875-3321 or  
Fax: 815-872-0421

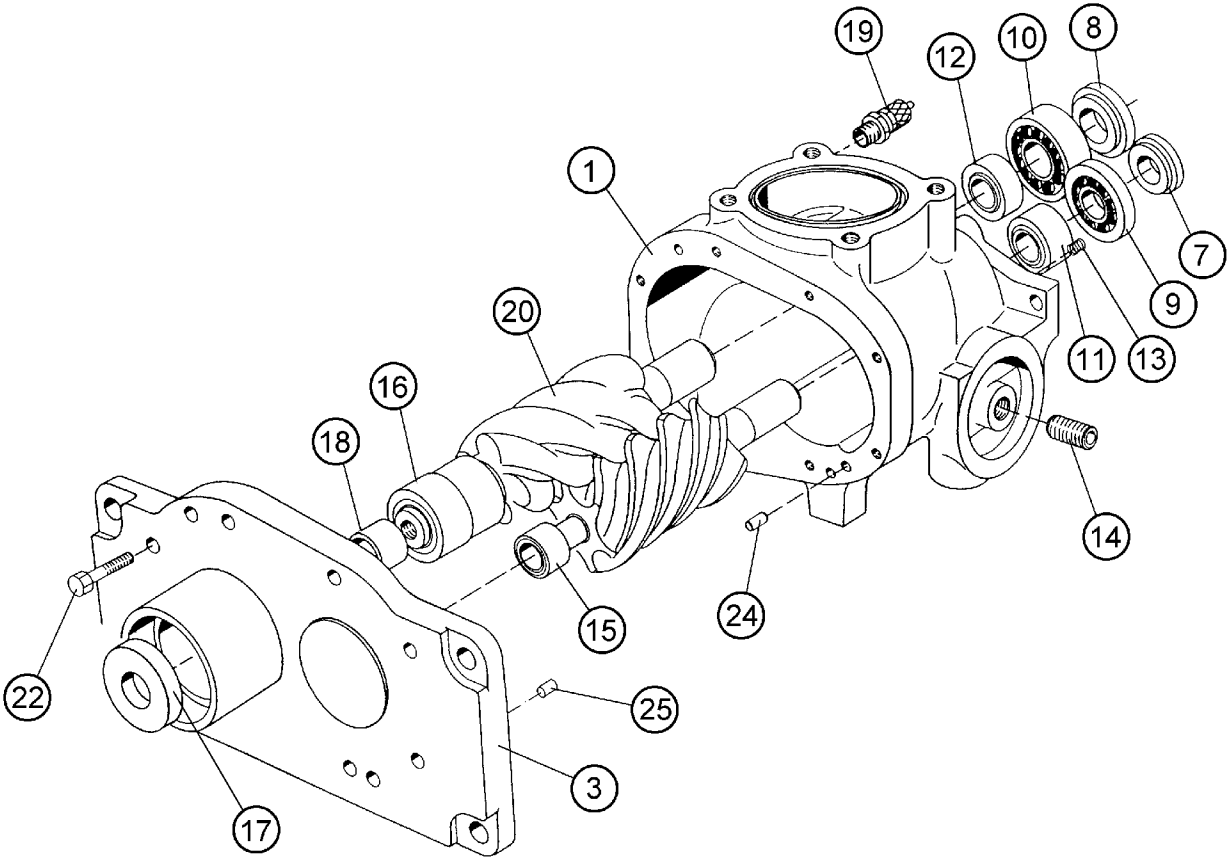
## TABLE OF CONTENTS

Maintain Compressor Reliability And Performance With Genuine Champion Compressor Parts And Support Services.....	i
Instructions For Ordering Repair Parts .....	i
Total Product Support – Champion’s Continuing Commitment To Your Air Compressor Performance .....	ii
Remanufactured Airends .....	ii
Airend Group .....	1, 2
Bare Screw With Inlet Valve.....	3, 4
Bare Screw Without Inlet Valve.....	5, 6
Inlet Valve Repair Parts .....	7, 8
Minimum Pressure/Check Valve .....	9
Fan Assembly.....	10
Mounting Group.....	11, 12
Back Wall .....	13
Front Wall.....	14
Water Separator Assembly .....	15
Cover .....	16
Drive Group – 5, 7-1/2 & 10 HP .....	17
Drive Groups By Horsepower And Pressure.....	18
Control Mount Group .....	19
Wiring Diagrams .....	20 - 22
Control Box - EFA 5-10 HP, 3 Phase, 200, 230, 460, 575 Volt.....	23
Control Box - EFA 5 & 7.5 HP, 1 Phase, 230 Volt.....	24
Motors .....	25
Overload Heaters.....	25
Repair Kits.....	26, 27

**For Operating and Service Instruction, see:**

**SERVICE MANUAL 13-8-636**

# AIREND GROUP



Order by Part Number and Description. Reference Numbers are for your convenience only.

**AIREND GROUP**

<b>Ref. No.</b>	<b>Name of Part</b>	<b>Qty.</b>	<b>B/M: EFC03965238 Part No.</b>
	AIREND .....		EFC03965238
	REPAIR KIT (Includes Reference No.'s 7-13, 15-17, 24 & 25).		EFC30855242
1	CYLINDER.....	1	EFC03962338
3	INLET BEARING HOUSING.....	1	EFC03778428
7	BUSHING.....	1	EFC03378108
8	BUSHING.....	1	EFC03378088
9	BEARING.....	1	EFC85387289
10	BEARING.....	1	EFC80057929
11	NEEDLE ROLLER BEARING .....	1	EFC85387569
12	NEEDLE ROLLER BEARING .....	1	EFC80180679
13	SPRING .....	2	EFC03378368
14	NIPPLE, OIL FILTER ON T3 AIREND .....	1	EFC03381588
15	NEEDLE ROLLER BEARING .....	1	EFC85386839
16	NEEDLE ROLLER BEARING .....	1	EFC85387439
* 17	SHAFT SEAL ASSEMBLY (Includes Reference No. 18) .....	1	EFC89542409
19	CONNECTOR .....	1	EFC81744309
20	ROTOR SET .....	1	EFC03496438
22	SCREW .....	8	EFC44250260
24	DOWEL PIN.....	2	EFC89512279
25	DOWEL PIN.....	1	EFC85386559

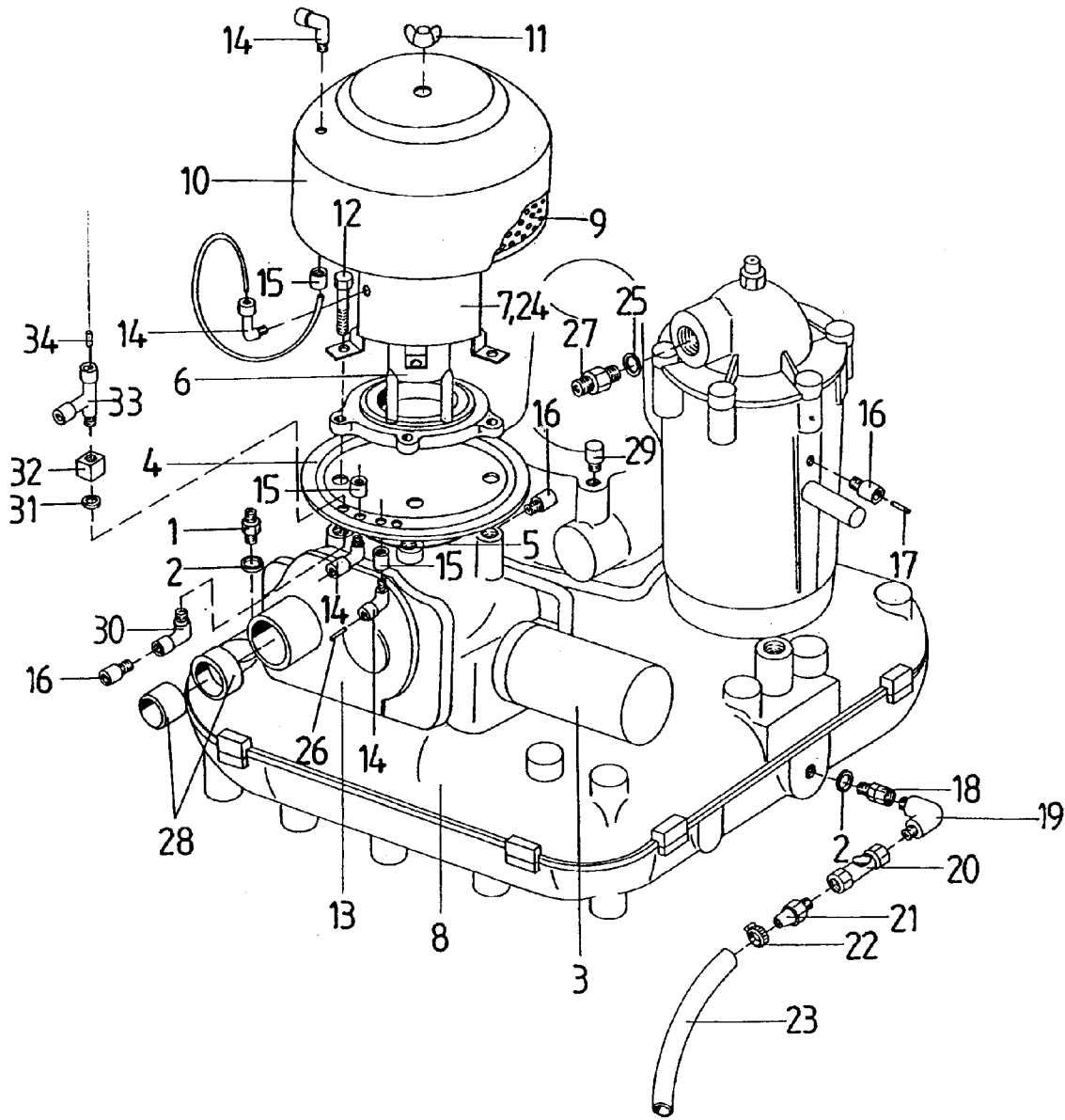
\* Not shown

Tools required for Shaft Seal Removal:

EFC03476918 – Locking Key for Sheave

EFC03477088 – Wear Sleeve Removal Tool

BARE SCREW WITH INLET VALVE



Order by Part Number and Description. Reference Numbers are for your convenience only.

**BARE SCREW WITH INLET VALVE**

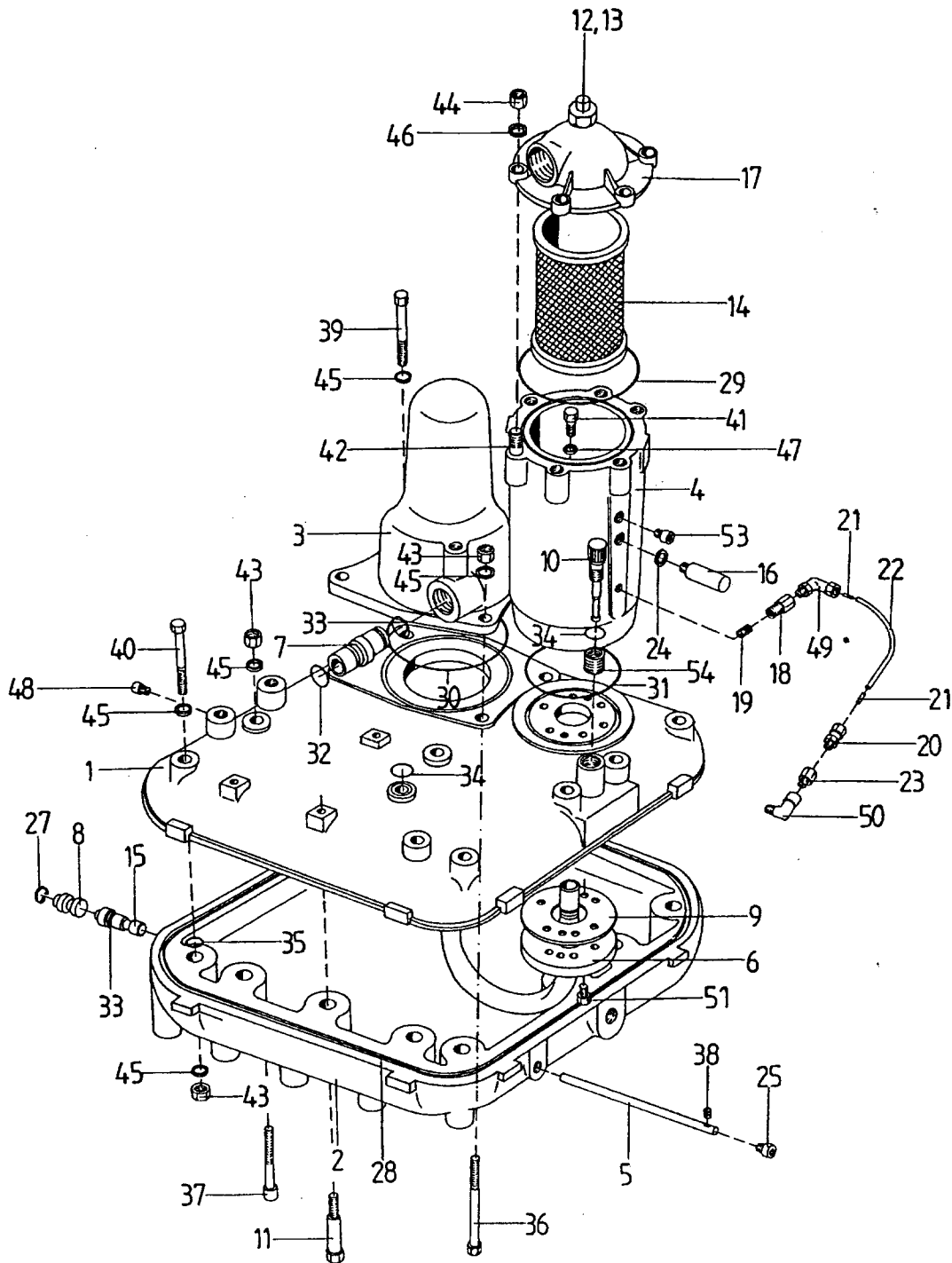
**B/M: EFC37710551**

Ref. No.	Name of Part	Qty.	Part No.
1	HOSE FITTING.....	2	EFC80033099
2	GASKET.....	3	EFC80034799
* 3	OIL ELEMENT.....	1	2117762
4	BOTTOM PLATE.....	1	EFC03589988
5	O-RING.....	1	EFC80011839
6	INLET VALVE ASSEMBLY.....	1	EFC03388708
7	BOWL.....	1	EFC03633748
8	MODEL-BARE SCREW WITHOUT INLET VALVE.....	1	EFC03986868
* 9	AIR FILTER ELEMENT.....	1	EFC85644309
10	COVER.....	1	EFC03748298
11	WING NUT.....	1	EFC80220059
12	SCREW.....	4	EFC44611040
13	AIREND.....	1	EFC03965238
14	ELBOW.....	4	EFC81744279
15	CONNECTOR.....	3	EFC81744429
16	CONNECTOR.....	3	EFC81744309
17	ORIFICE.....	1	EFC30895408
18	BUSHING.....	1	EFC81318449
19	ELBOW.....	1	EFC80034539
20	VALVE, OIL DRAIN.....	1	EFC85529129
21	HOSE FITTING.....	1	EFC87904659
22	HOSE CLAMP.....	1	EFC28067350
23	HOSE.....	1	EFC87904409
24	GASKET.....	1	EFC03428878
25	GASKET, FITTING.....	1	EFC80034819
26	CONNECTOR-TUBE.....	12	EFC89556479
27	HOSE FITTING.....	1	EFC80033119
28	SHAFT SEAL ASSEMBLY.....	1	EFC89542409
29	THERMISTOR.....	1	EFC89529679
30	ELBOW.....	1	EFC62336080
31	GASKET.....	1	EFC81356309
32	CHECK VALVE.....	1	EFC89597779
33	TUBE TEE.....	1	EFC81744149
34	ORIFICE.....	1	EFC30895408

\* For Repair, See Routine Maintenance Kit Part Number 309EFA6013. Refer to Page 26.



BARE SCREW WITHOUT INLET VALVE



Order by Part Number and Description. Reference Numbers are for your convenience only.

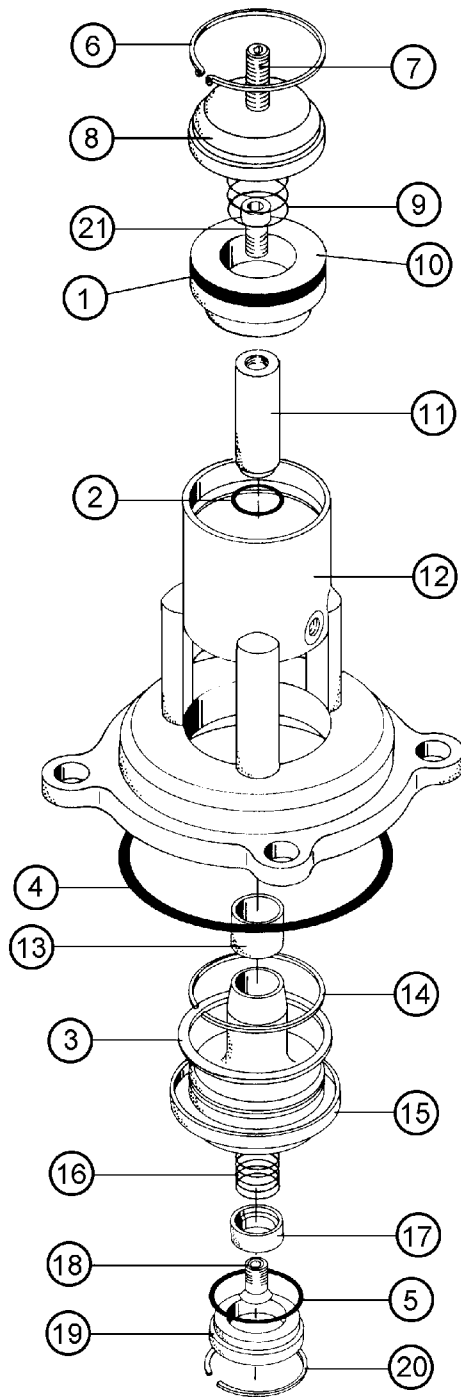
**BARE SCREW WITHOUT INLET VALVE**

**B/M: EFC03986868**

Ref. No.	Name of Part	Qty.	Part No.
1	FRAME .....	1	EFC03984308
2	FRAME .....	1	EFC03984438
3	HOUSING SEPARATOR .....	1	EFC03984568
4	HOUSING SEPARATOR .....	1	EFC03984698
5	TUBE .....	1	EFC37622188
6	AIR SEPARATION SHOTGUN.....	1	EFC37650308
7	NIPPLE .....	1	EFC30946928
8	PLUG .....	1	EFC30968188
9	GASKET .....	1	EFC30977898
10	GAUGE-OIL LEVEL.....	1	EFC30979248
11	BOLT .....	3	EFC30979378
12	MINIMUM PRESSURE/CHECK VALVE ASSEMBLY .....	1	EFC89739749
13	MINIMUM PRESSURE VALVE ASSEMBLY KIT.....	1	EFC30860918
* 14	SEPARATOR-AIR/OIL .....	1	EFC30991358
15	THERMOSTAT ELEMENT 160° F.....	1	EFC89560169
16	VALVE-PRESSURE/RELIEF.....	1	EFC89742969
17	COVER .....	1	EFC03986608
18	NIPPLE .....	1	EFC30995958
19	SCREEN, OIL SCAVENGE LINE .....	1	EFC85588619
20	CONNECTOR .....	1	EFC81744309
21	ORIFICE TUBE .....	2	EFC30897558
22	PLASTIC TUBE .....	1	EFC85200299
23	CHECK VALVE .....	1	EFC89597779
24	GASKET .....	1	EFC80180269
25	PLUG .....	1	EFC89584439
26	PLUG .....	2	EFC81606709
27	RING-RETAINING .....	1	EFC89725809
28	O-RING .....	1	EFC89740409
* 29	O-RING .....	1	EFC85387979
30	O-RING .....	1	EFC89556509
31	O-RING .....	1	EFC80011839
32	O-RING .....	1	EFC89725659
33	O-RING .....	2	EFC89534809
34	O-RING .....	2	EFC89594469
35	O-RING .....	15	EFC89725529
36	SCREW.....	3	EFC89725409
37	SCREW.....	5	EFC89725249
38	SCREW.....	1	EFC44576860
39	SCREW.....	1	EFC89732789
40	SCREW.....	3	EFC89732659
41	SCREW.....	6	EFC44257760
42	BOLT .....	6	EFC89725119
43	NUT .....	12	EFC80031079
44	NUT .....	6	EFC80082019
45	WASHER .....	16	EFC80092329
46	WASHER .....	6	EFC42118130
47	WASHER .....	6	EFC42116800
48	SCREW.....	1	EFC87089919
49	ELBOW .....	1	EFC85267219
50	ELBOW .....	1	EFC85883989
51	SCREW.....	2	EFC80242159
52	GASKET .....	2	EFC80098799
53	PLUG .....	1	EFC80644809
54	FILTER.....	1	EFC89732809

\* For Repair, see Oil Separator Kit Part Number 310EFA6013. Refer to Page 26.

# INLET VALVE REPAIR PARTS



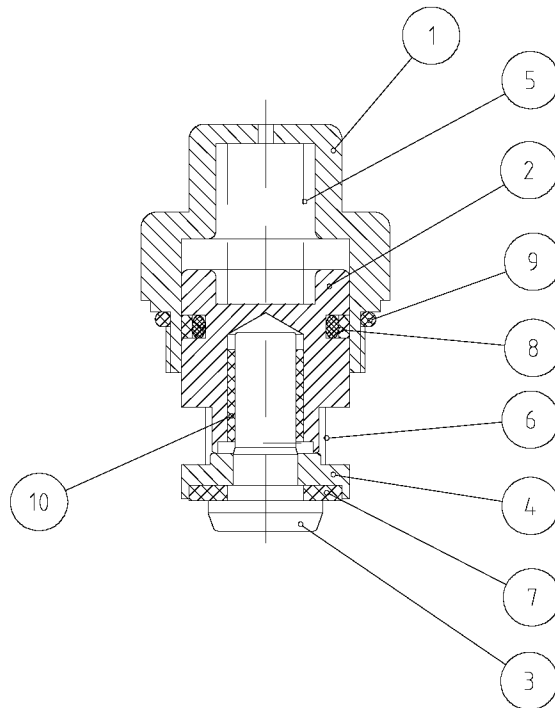
Order by Part Number and Description. Reference Numbers are for your convenience only.

**INLET VALVE REPAIR PARTS**

Ref. No.	Name of Part	Qty.	Part No.
	INLET VALVE ASSEMBLY .....		EFC03388708
	INLET VALVE SEAL KIT (Includes Reference No.'s 1-5) .....		EFC03389010
	* INLET VALVE REPAIR KIT (Includes Reference. No.'s. 1-5, 9, 13, & 16).....		EFC89555189
1	GASKET .....	1	
2	O-RING .....	1	
3	GASKET .....	1	
4	O-RING .....	1	
5	O-RING .....	1	
6	LOCK RING .....	1	
7	SCREW .....	1	
8	COVER .....	1	
9	SPRING .....	1	EFC03397308
10	PISTON.....	1	
11	PISTON SHAFT .....	1	
12	FRAME .....	1	
13	BEARING BUSHING .....	1	
14	RETAINING RING .....	1	
15	PLATE .....	1	
16	SPRING .....	1	
17	BEARING BUSHING .....	1	
18	SCREW .....	1	
19	PLUG .....	1	
20	LOCK RING .....	1	
21	SCREW .....	1	

\* For Repair, see Periodic Maintenance Kit (Inlet Valve) Part Number 302EFA6013, page 26.

Order by Part Number and Description. Reference Numbers are for your convenience only.

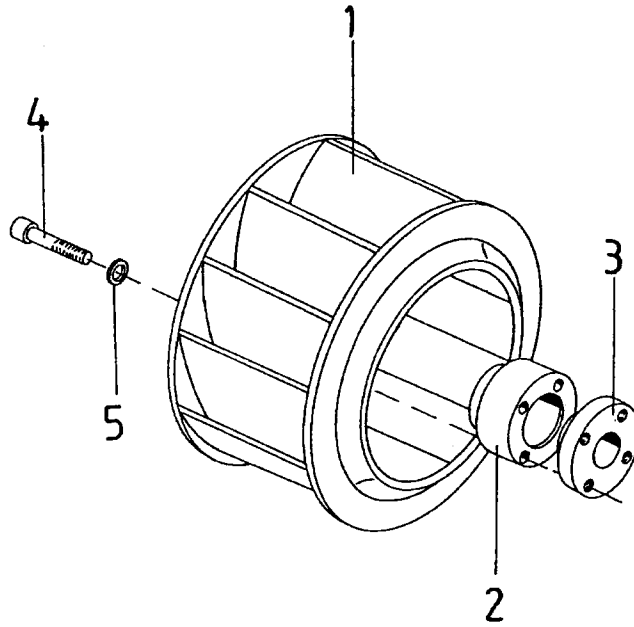


**MINIMUM PRESSURE/CHECK VALVE**

Ref. No.	Name of Part	Qty.	Part No.
*	REPAIR KIT .....	1	EFC89739749
	SEAL KIT .....	1	EFC30860918
1	HOUSING .....	1	
2	PISTON.....	1	
3	ROD.....	1	
4	SUPPORTING RING.....	1	
5	SPRING .....	1	
6	SPRING .....	1	
7	GASKET .....	1	
8	PISTON SEAL.....	1	
9	O-RING.....	1	
10	BEARING (SLIDING).....	1	

\* For Repair, see Periodic Maintenance Kit (Minimum Pressure Valve) Part Number 303EFA6013. Refer to Page 26.

Order by Part Number and Description. Reference Numbers are for your convenience only.

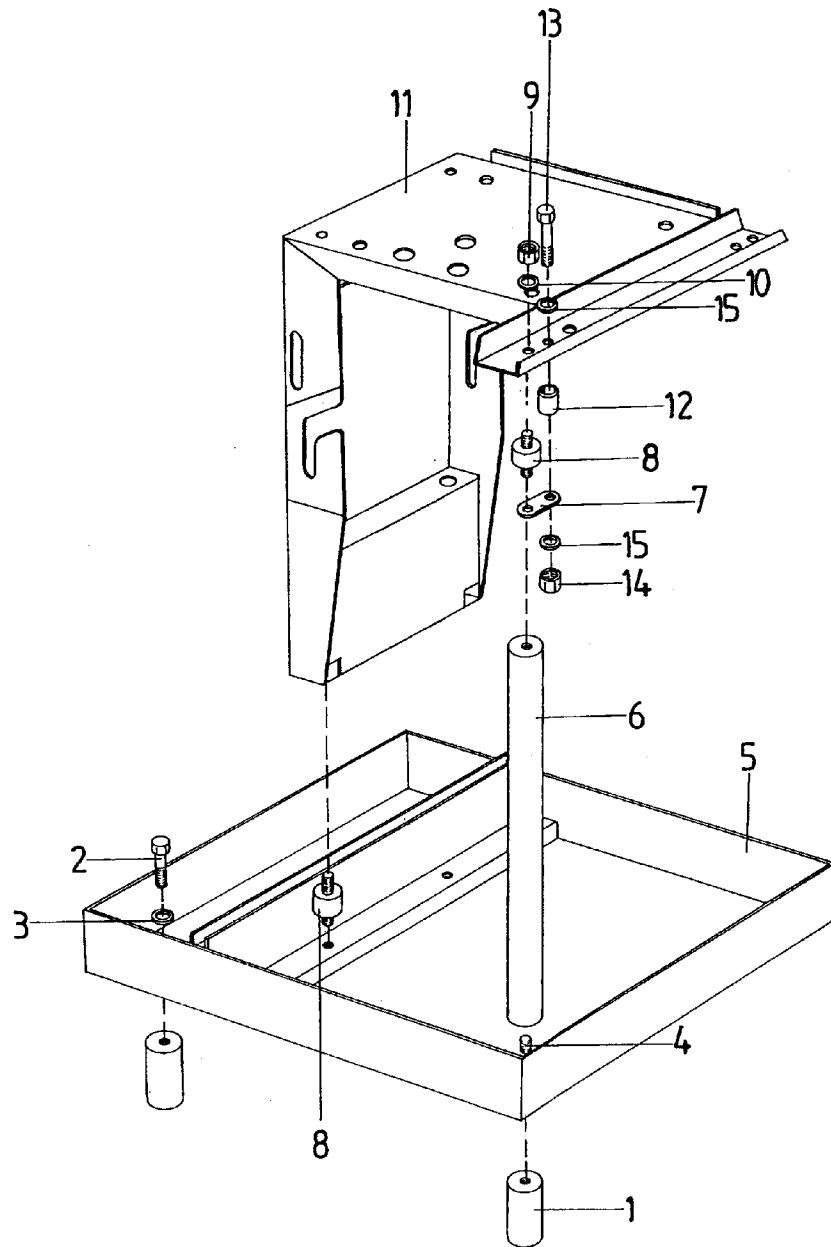


**FAN ASSEMBLY**

**B/M: EFC30993601  
EFC30993602**

Ref. No.	Name of Part	Qty.	Part No. 5 HP	Part No. 7-1/2 & 10 HP
1	FAN .....	1	EFC37655901	EFC37655901
2	SPACER .....	1	EFC30984761	EFC30984762
3	BUSHING-SHEAVE .....	1	EFC30984891	EFC30984892
4	SCREW .....	4	EFC44577900	EFC89737729
5	LOCKWASHER.....	4	EFC85323979	EFC85323979

# MOUNTING GROUP



Order by Part Number and Description. Reference Numbers are for your convenience only.

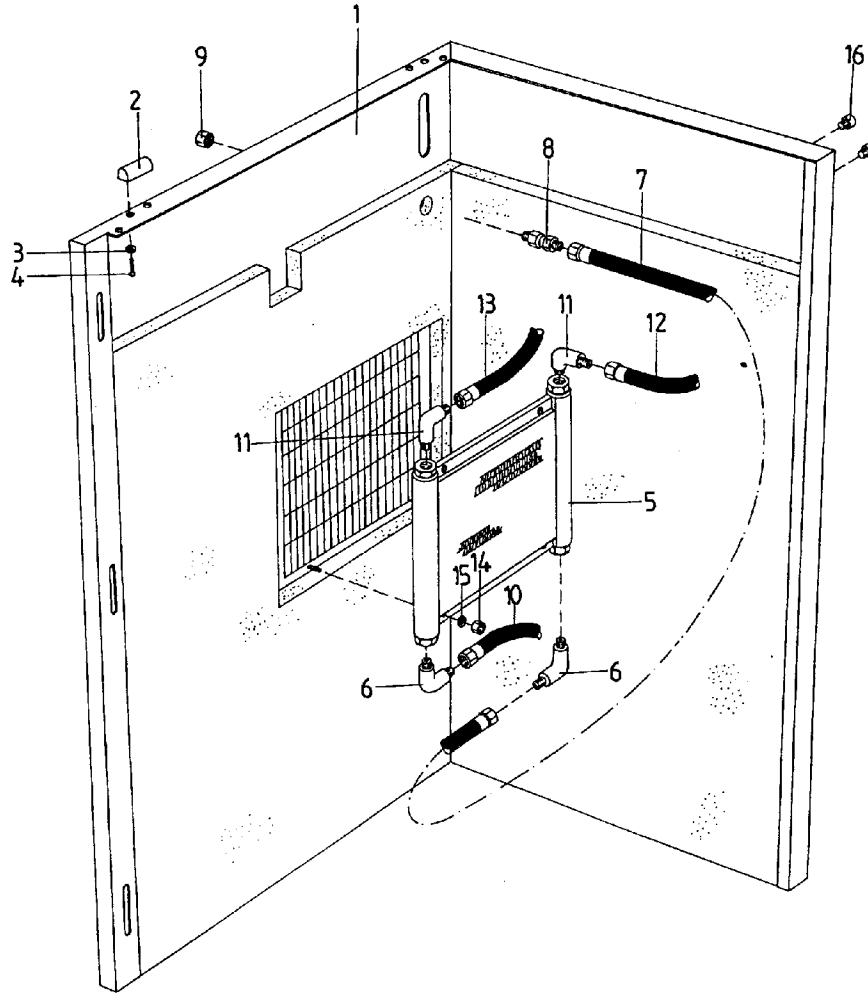
MOUNTING GROUP

B/M: EFC37711501

Ref. No.	Name of Part	Qty.	Part No.
1	POLE .....	4	EFC30978778
2	SCREW .....	2	EFC80043279
3	WASHER .....	2	EFC42118130
4	SCREW .....	2	EFC89737989
5	BASE .....	1	EFC37653328
6	POLE .....	2	EFC30984508
7	SUPPORT .....	2	EFC30988828
8	VIBRATION ISOLATOR .....	4	EFC89737859
9	NUT .....	4	EFC81262269
10	WASHER .....	4	EFC42118130
11	LOCKWASHER .....	2	EFC85106809
12	TUBE .....	2	EFC89733409
13	SCREW .....	2	EFC80052729
14	NUT .....	2	EFC81262269
15	WASHER .....	4	EFC42118130
16	FRAME .....	1	EFC37652988
17	FRAME .....	1	EFC37699008
18	SCREW .....	4	EFC80242159
19	NUT .....	4	EFC80177459
20	WASHER .....	8	EFC42116520
21	WASHER .....	1	EFC30952768
22	WASHER .....	4	EFC30987668
23	SCREW .....	2	EFC80047059
24	CONNECTOR .....	2	EFC30991918
25	BUSHING .....	2	EFC30992088
26	SCREW .....	2	EFC44859320
27	WASHER .....	4	EFC42118130
28	SCREW .....	4	EFC80052729
29	FITTING .....	4	EFC03494138



Order by Part Number and Description. Reference Numbers are for your convenience only.

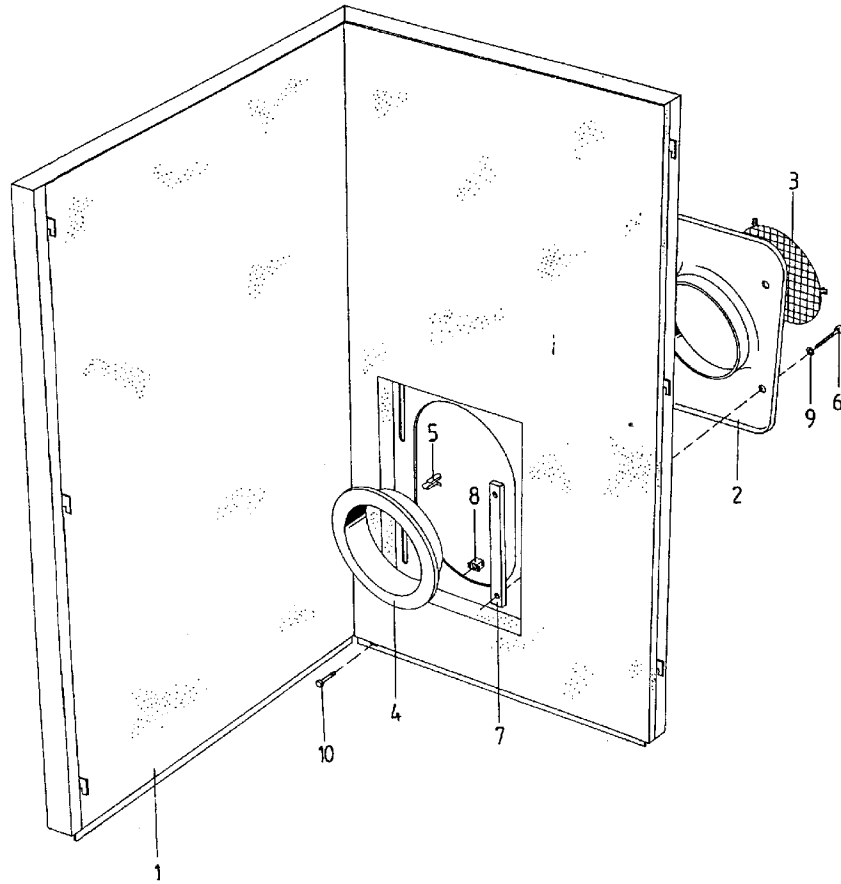


BACK WALL

B/M: EFC37711002

Ref. No.	Name of Part	Qty.	Part No.
1	PLATE COVER.....	1	EFC03846302
2	HINGE.....	1	EFC85205779
3	WASHER.....	4	EFC42116520
4	SCREW.....	4	EFC44710320
5	COOLER.....	1	EFC89754889
6	ELBOW.....	2	EFC81266999
7	HOSE.....	1	EFC89744609
8	BULKHEAD FITTING.....	1	EFC81129469
9	LOCK NUT.....	1	EFC81129209
10	HOSE.....	1	EFC82190939
11	ELBOW.....	2	EFC80034539
12	HOSE ASSEMBLY.....	1	EFC86536849
13	HOSE.....	1	EFC89554999
14	NUT.....	4	EFC80177459
15	WASHER.....	4	EFC89514729
16	PLUG.....	2	EFC89740669

Order by Part Number and Description. Reference Numbers are for your convenience only.

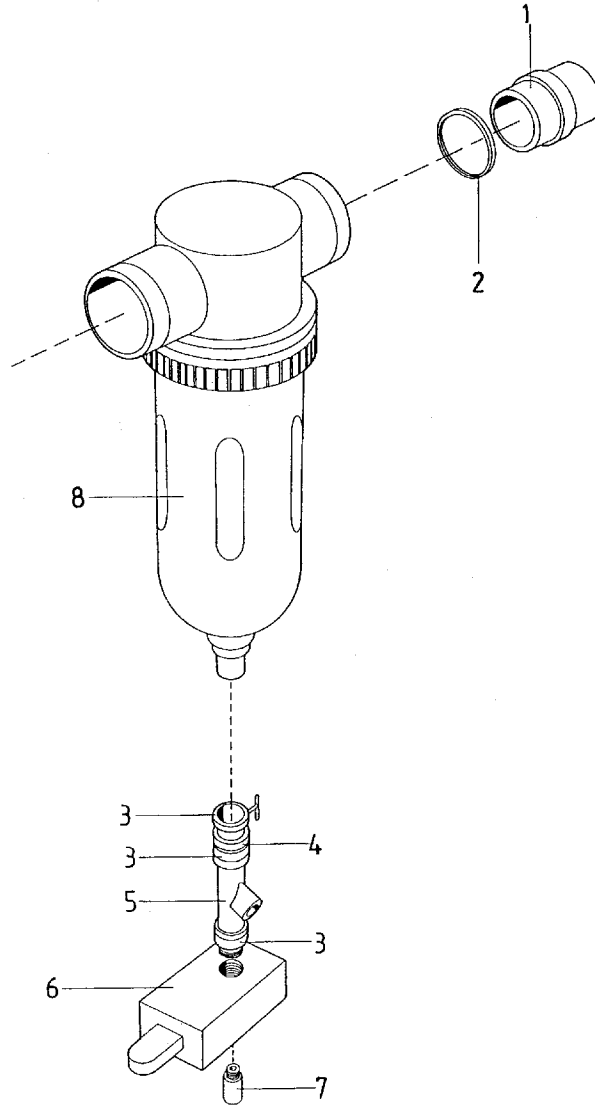


FRONT WALL

B/M: EFC37711302

Ref. No.	Name of Part	Qty.	Part No.
1	PLATE.....	1	EFC03831052
2	GUIDE.....	1	EFC30993118
3	GUARD-FAN.....	1	EFC30993098
4	ORIFICE-FAN.....	1	EFC30992928
5	CLIP.....	3	EFC89737579
6	SCREW.....	4	EFC89740819
7	LOCKWASHER.....	2	EFC30978648
8	NUT.....	1	EFC89735559
9	WASHER.....	4	EFC89740949
10	CLIP.....	1	EFC89735429

Order by Part Number and Description. Reference Numbers are for your convenience only.

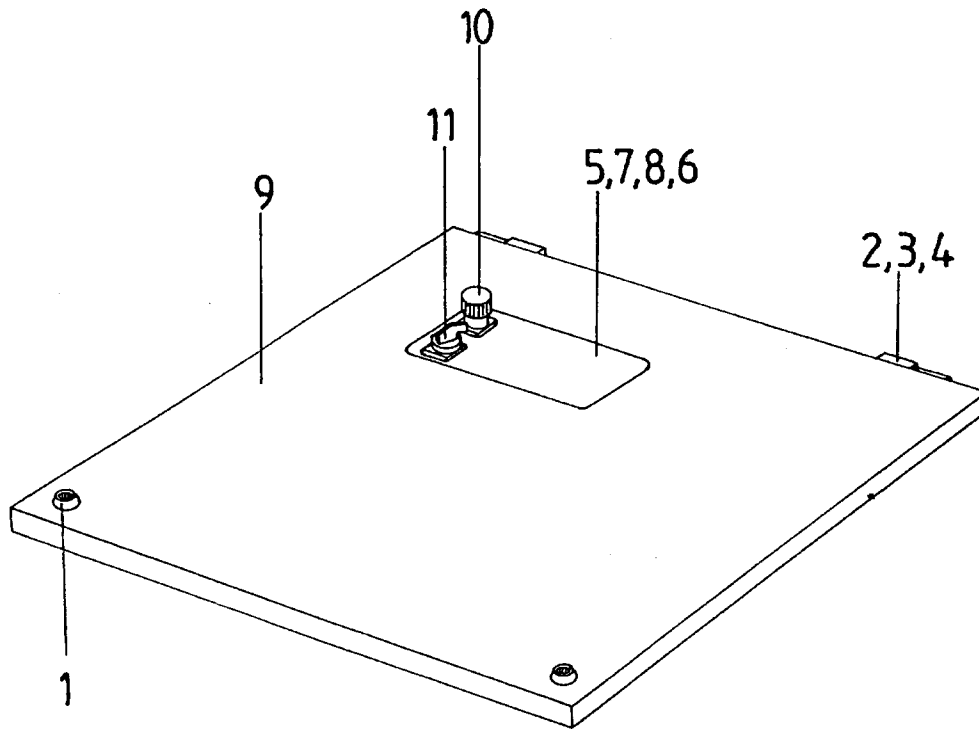


**WATER SEPARATOR ASSEMBLY**

**B/M: EFC30995878**

Ref. No.	Name of Part	Qty.	Part No.
1	ADAPTOR .....	1	EFC81316839
2	GASKET .....	1	EFC80034819
3	HOSE .....	3	EFC62540220
4	VALVE.....	1	EFC81344809
5	STRAINER.....	1	EFC81862479
6	SOLENOID VALVE .....	1	EFC87997629
7	CONNECTOR.....	1	EFC81859669
8	MOISTURE SEPARATOR.....	1	EFC81743959

Order by Part Number and Description. Reference Numbers are for your convenience only.

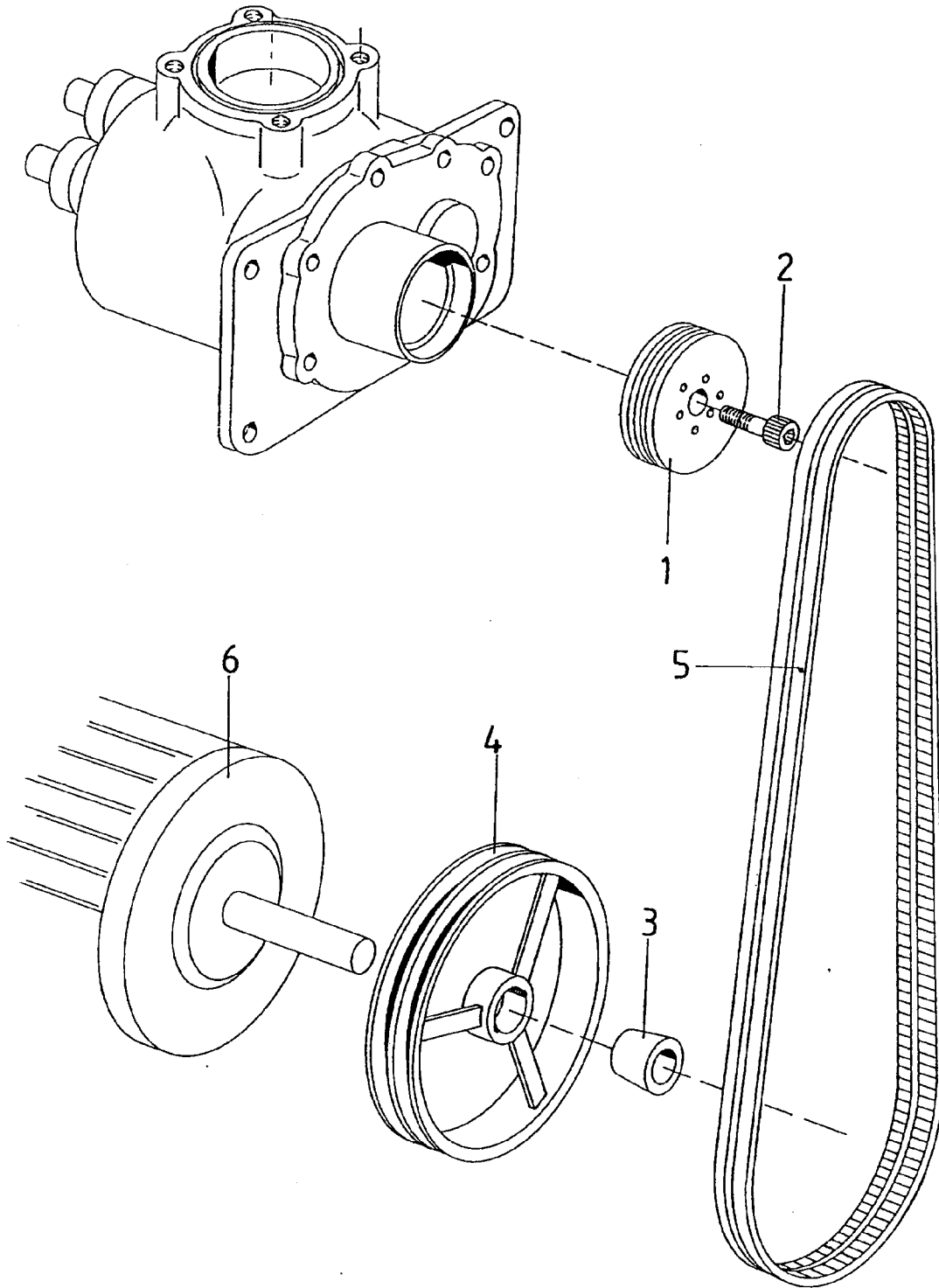


**COVER**

**B/M: EFC37710702**

Ref. No.	Name of Part	Qty.	Part No.
1	LATCH.....	2	EFC89515999
2	HINGE.....	1	EFC85205779
3	WASHER.....	4	EFC42116520
4	SCREW.....	4	EFC44710320
5	ELECTRONIC CONTROLLER (AIRPILOT).....	1	EFC89552289
6	NUT.....	12	EFC80047189
7	NUT.....	6	EFC80177209
8	WASHER.....	12	EFC42115510
9	COVER.....	1	EFC37654902
10	EMERGENCY STOP.....	1	EFC89760909
11	SWITCH.....	1	EFC89761069

DRIVE GROUP - 5, 7-1/2 & 10 HP



Order by Part Number and Description. Reference Numbers are for your convenience only.

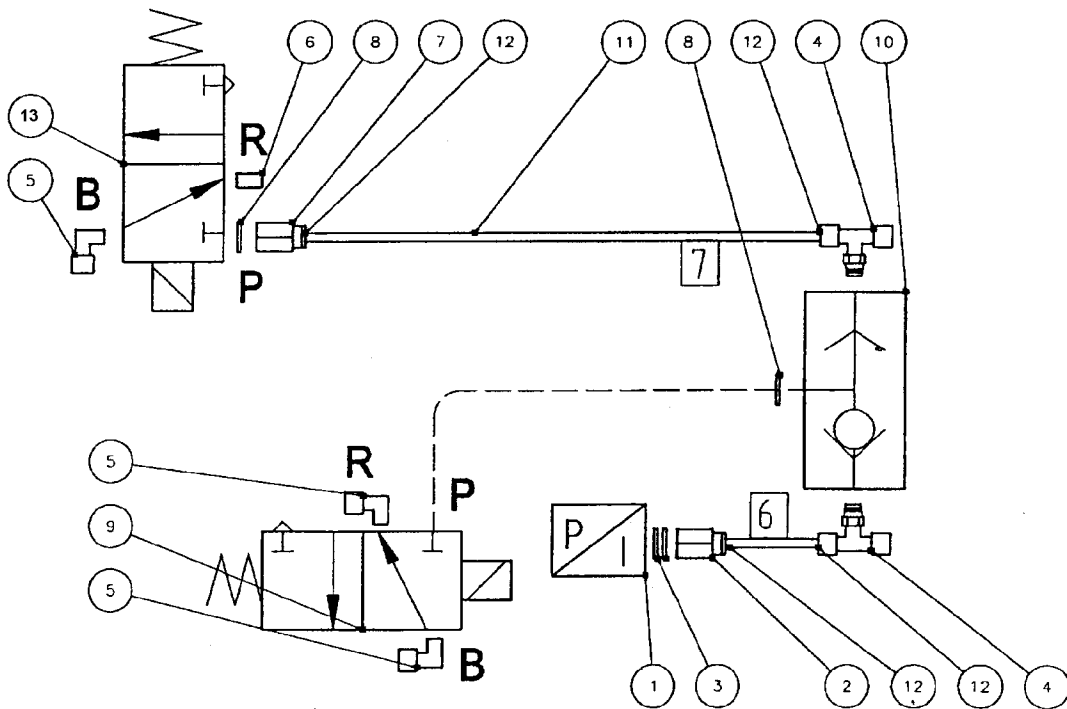
**DRIVE GROUPS BY HORSEPOWER AND PRESSURE**

Ref. No.	Drive Group 5 HP Name of Part	Qty.	100 PSIG	125 PSIG	150 PSIG	175 PSIG
			300EFA4004 Part No.	301EFA4004 Part No.	302EFA4004 Part No.	Part No.
1	SHEAVE .....	1	EFC03383888	EFC03383888	EFC03383888	not available
2	SCREW.....	1	EFC03378238	EFC03378238	EFC03378238	not available
3	BUSHING.....	1	EFC89773709	EFC89598809	EFC89598809	not available
4	SHEAVE .....	1	EFC85443119	EFC85443099	EFC85443099	not available
5	BELT .....	2	EFC89614869	EFC87043679	EFC87043679	not available
6	MAIN MOTOR.....	1	See Page 25.....			not available

Ref. No.	Drive Group 7.5 HP Name of Part	Qty.	100 PSIG	125 PSIG	150 PSIG	175 PSIG
			303EFA4004 Part No.	304EFA4004 Part No.	305EFA4004 Part No.	306EFA4004 Part No.
1	SHEAVE .....	1	EFC03383888	EFC03383888	EFC03383888	EFC03383888
2	SCREW.....	1	EFC03378238	EFC03378238	EFC03378238	EFC03378238
3	BUSHING.....	1	EFC89519369	EFC89519369	EFC89519369	EFC89519369
4	SHEAVE .....	1	EFC89608749	EFC85440509	EFC89616479	EFC89616349
5	BELT .....	2	EFC89609199	EFC89608909	EFC89618089	EFC89608879
6	MAIN MOTOR.....	1	See Page 25.....			

Ref. No.	Drive Group 10 HP Name of Part	Qty.	100 PSIG	125 PSIG	150 PSIG	175 PSIG
			307EFA4004 Part No.	308EFA4004 Part No.	309EFA4004 Part No.	310EFA4004 Part No.
1	SHEAVE .....	1	EFC03383758	EFC03383758	EFC03383758	EFC03383758
2	SCREW.....	1	EFC03378238	EFC03378238	EFC03378238	EFC03378238
3	BUSHING.....	1	EFC89519369	EFC89519369	EFC89519369	EFC89519369
4	SHEAVE .....	1	EFC89737169	EFC89699959	EFC89608749	EFC85440509
5	BELT .....	2	EFC89609199	EFC89609069	EFC89608909	EFC89618089
6	MAIN MOTOR.....	1	See Page 25` .....			

Order by Part Number and Description. Reference Numbers are for your convenience only.

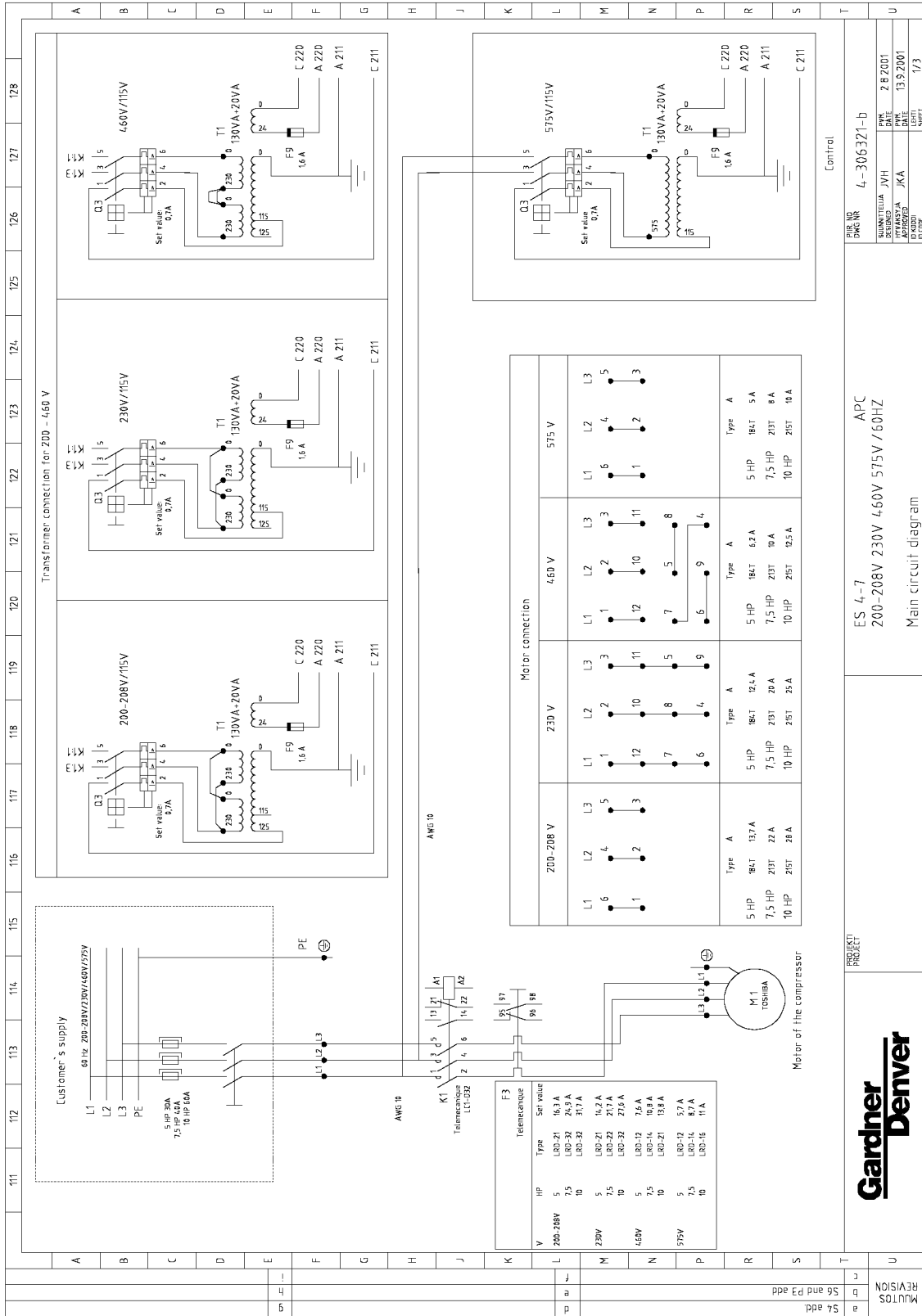


**CONTROL MOUNT GROUP**

**B/M: EFC30618700**

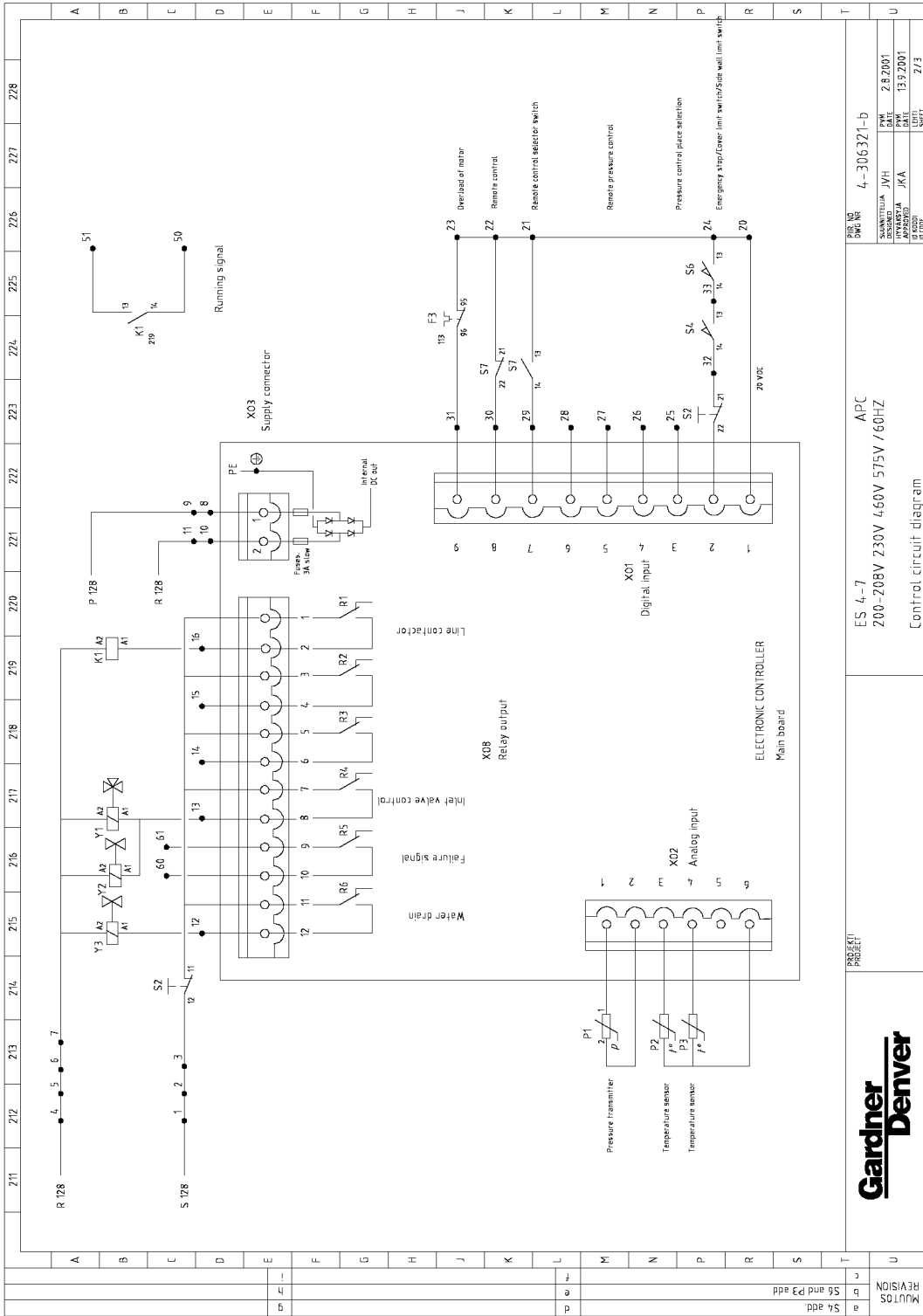
Ref. No.	Name of Part	Qty.	Part No.
1	PRESSURE TRANSDUCER .....	1	EFC89529549
2	CONNECTOR .....	1	EFC89531889
3	WASHER .....	2	EFC42118950
4	TUBE TEE .....	2	EFC81780409
5	ELBOW .....	3	EFC81744279
6	PLUG .....	1	EFC80704779
7	CONNECTOR .....	1	EFC81744429
8	GASKET .....	2	EFC81356309
9	SOLENOID VALVE (Inlet Valve) .....	1	EFC87997479
10	VALVE CHECK .....	1	EFC85838209
11	PLASTIC TUBE .....	1	EFC85200299
12	CONNECTOR-TUBE .....	4	EFC89556479
13	SOLENOID VALVE (Blowdown Valve) .....	1	EFC89698009

# WIRING DIAGRAM





# WIRING DIAGRAM

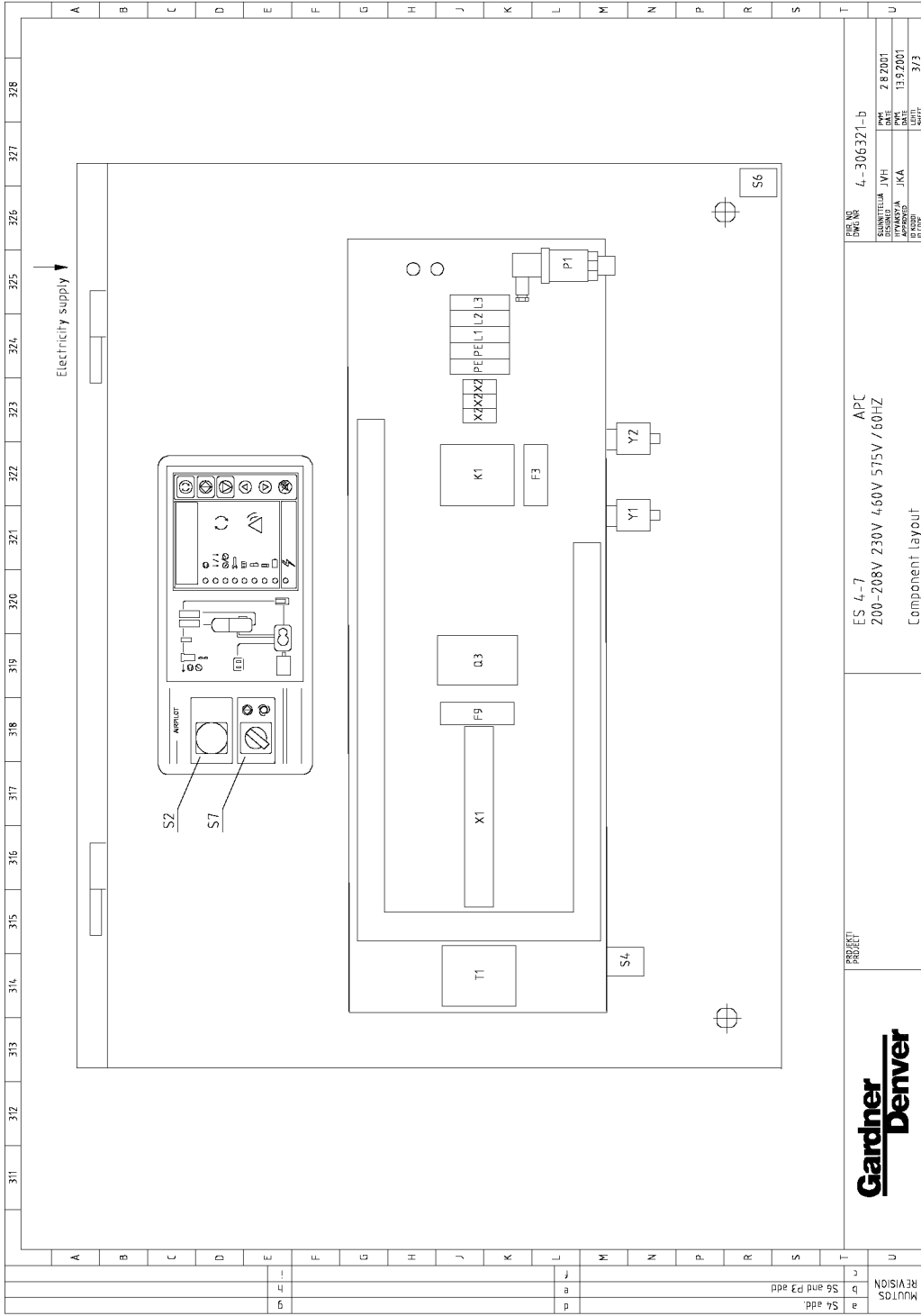


ES 4-7  
200-208V 230V 460V 575V / 60HZ  
APC  
Control circuit diagram

REV	NO	DATE	BY	CHKD
a	54 ddd			
b	S6 and P3 add			
c				
d				

PROJ. NO	4-306371-b
PROJ. NAME	APC
PROJ. DATE	2.8.2001
PROJ. UNIT	13.9 Z001
PROJ. SHEET	2/3

# WIRING DIAGRAM



REV	a	S4 add
REV	b	S6 and P3 add
REV	c	
PROJECT	ES 4-7	
PROJECT	APC	
PROJECT	200-208V 230V 4,60V 575V / 60HZ	
PROJECT	Component layout	
PER No	4-306371-b	
DESIGNED	JVI	DATE
APPROVED	JKA	DATE
DRAWN	JKA	DATE
CHECKED	JKA	DATE
SCALE	3/3	

**CONTROL BOX - EFA**  
**5-10 HP, 3 PHASE, 200, 230, 460, 575 VOLT**

Item No.	Description	Qty.	B/M: 300EFA466 Part No.
L1, L2, L3	TERMINAL .....	3	EFC89776449
PE	TERMINAL .....	2	EFC89776579
K1	CONTACTOR.....	1	EFC89775309
S2	EMERGENCY STOP.....	1	EFC89760909
S2	EMERGENCY STOP.....	1	EFC89762509
S5	VACUUM SWITCH.....	1	EFC85196699
S7	SELECTOR SWITCH .....	1	EFC89761069
S7	SELECTOR SWITCH .....	1	EFC89762639
T1	TRANSFORMER.....	1	EFC89618109
F3	OVERLOAD RELAY .....	1	EFC89776039
F9	FUSE .....	1	EFC89760749
F9	FUSE HOLDER.....	1	EFC89724649
Y1	SOLENOID VALVE (Inlet Valve).....	1	EFC87997479
Y2	SOLENOID VALVE (Blowdown and Purge Air) .....	1	EFC89698009
Y3	SOLENOID VALVE (Moisture Separator).....	1	EFC87997629
P1	PRESSURE TRANSDUCER .....	1	EFC89529549
P2	TEMPERATURE SENSOR.....	2	EFC89529679
X1	TERMINAL BLOCKS .....	32	EFC81623739
X2	TERMINAL BLOCKS .....	3	EFC89589899
X03	PCB SWITCH TERMINAL .....	1	EFC89527529
X02	PCB SWITCH TERMINAL .....	1	EFC89527789
X01	PCB SWITCH TERMINAL .....	1	EFC89527809
X08	PCB SWITCH TERMINAL .....	1	EFC89569429
S4	COVER LIMIT SWITCH.....	1	EFC89779509
S6	SIDE WALL LIMIT SWITCH.....	1	EFC89785209
	ELECTRONIC CONTROLLER .....	1	EFC89552289

**CONTROL BOX - EFA  
5 & 7.5 HP, 1 PHASE, 230 VOLT**

Item No.	Description	Qty.	B/M: 301EFA466 Part No.
L	TERMINAL .....	3	EFC89776449
N	TERMINAL .....	1	EFC89776449
PE	TERMINAL .....	1	EFC89776579
K1	CONTACTOR.....	1	EFC89775309
S2	EMERGENCY STOP.....	1	EFC89760909
S2	EMERGENCY STOP.....	1	EFC89762509
S5	VACUUM SWITCH.....	1	EFC85196699
S7	SELECTOR SWITCH .....	1	EFC89761069
S7	SELECTOR SWITCH .....	1	EFC89762639
T1	TRANSFORMER.....	1	EFC89618109
F3	OVERLOAD RELAY.....	1	EFC89502409
F9	FUSE .....	1	EFC89760749
F9	FUSE HOLDER.....	1	EFC89724649
Y1	SOLENOID VALVE (Inlet Valve).....	1	EFC87997479
Y2	SOLENOID VALVE (Blowdown and Purge Air) .....	1	EFC89698009
Y3	SOLENOID VALVE (Moisture Separator).....	1	EFC87997629
P1	PRESSURE TRANSDUCER .....	1	EFC89529549
P2	TEMPERATURE SENSOR.....	2	EFC89529679
X1	TERMINAL BLOCKS.....	32	EFC81623739
X03	PCB SWITCH TERMINAL .....	1	EFC89527529
X02	PCB SWITCH TERMINAL .....	1	EFC89527789
X01	PCB SWITCH TERMINAL .....	1	EFC89527809
X08	PCB SWITCH TERMINAL .....	1	EFC89569429
S4	COVER LIMIT SWITCH.....	1	EFC89779509
S6	SIDE WALL LIMIT SWITCH.....	1	EFC89785209
	ELECTRONIC CONTROLLER .....	1	EFC89552289

## MOTORS

Description	Part No.
Main Motor 5 HP 230 volt 1 phase	EFC89777739
Main Motor 7.5 HP 230 volt 1 phase	EFC89777869
Main Motor 5 HP 200 volt 3 phase	EFC89776989
Main Motor 5 HP 230 volt 3 phase	EFC89776859
Main Motor 5 HP 460 volt 3 phase	EFC89776859
Main Motor 5 HP 575 volt 3 phase	EFC89777049
Main Motor 7.5 HP 200 volt 3 phase	EFC89777209
Main Motor 7.5 HP 230 volt 3 phase	EFC89777179
Main Motor 7.5 HP 460 volt 3 phase	EFC89777179
Main Motor 7.5 HP 575 volt 3 phase	EFC89777329
Main Motor 10 HP 200 volt 3 phase	EFC89777589
Main Motor 10 HP 230 volt 3 phase	EFC89777459
Main Motor 10 HP 460 volt 3 phase	EFC89777459
Main Motor 10 HP 575 volt 3 phase	EFC89777609

## OVERLOAD HEATERS

Description	Part No.
Overload Relay 5 HP 230 volt 1 phase	2118020
Overload Relay 7.5 HP 230 volt 1 phase	2118165
Overload Relay 5 HP 200 volt 3 phase	2118169
Overload Relay 5 HP 230 volt 3 phase	2118169
Overload Relay 5 HP 460 volt 3 phase	2118166
Overload Relay 5 HP 575 volt 3 phase	2118166
Overload Relay 7.5 HP 200 volt 3 phase	2118171
Overload Relay 7.5 HP 230 volt 3 phase	2118170
Overload Relay 7.5 HP 460 volt 3 phase	2118167
Overload Relay 7.5 HP 575 volt 3 phase	2118167
Overload Relay 10 HP 200 volt 3 phase	2118171
Overload Relay 10 HP 230 volt 3 phase	2118171
Overload Relay 10 HP 460 volt 3 phase	2118169
Overload Relay 10 HP 575 volt 3 phase	2118168

## REPAIR KITS

Your Champion rotary screw compressor is designed and manufactured for many years of reliable operation. All components are engineered to exacting specifications, which will function together as a system to provide maximum efficiency. To insure the continuing integrity of compressor operation, use only original quality genuine Champion replacement parts and accessories.

Name of Part	Qty.	Part No.
ROUTINE MAINTENANCE KIT, Heavy Duty Air Filter.....		309EFA6013
ELEMENT, Air Filter.....	2	EFC85644309
ELEMENT, Oil Filter.....	3	2117762
PERIODIC MAINTENANCE KIT (Inlet Valve).....		302EFA6013
INLET VALVE SEAL REPAIR KIT.....	1	EFC89555189
GASKET.....	1	EFC03428878
PERIODIC MAINTENANCE KIT (Minimum Pressure Valve).....		303EFA6013
MAINTENANCE KIT (Minimum Pressure Valve).....	1	EFC89739749
O-RING.....	1	EFC85387979
OIL SEPARATOR KIT.....	1	310EFA6013
OIL SEPARATOR.....	1	EFC30991358
O-RING.....	1	EFC85387979
MIXING VALVE ELEMENT REPAIR KIT.....		304EFA6013
THERMOSTAT ELEMENT 160° F.....	1	EFC89560169
O-RING.....	1	EFC89534809
PNEUMATIC CONTROLS & GAUGES.....		307EFA6013
CHECK VALVE.....	1	EFC89597779
CHECK VALVE.....	1	EFC85838209
SCREEN.....	1	EFC85588619
ELECTRICAL CONTROL KIT – NEMA 4 & NEMA 3R.....		308EFA6013
PRESSURE TRANSDUCER.....	1	EFC89529549
THERMISTOR.....	2	EFC89529679
SOLENOID VALVE.....	1	EFC87997479
SOLENOID VALVE.....	1	EFC89698009
SOLENOID VALVE.....	1	EFC87997629
DRIVE SHAFT SEAL (Includes Wear Sleeve).....		EFC89542409
DRIVE SHAFT TOOL KIT.....		305EFA6013
KEY.....	1	EFC03476918
WEAR SLEEVE PULLER.....	1	EFC03477088

## REPAIR KITS (CONTINUED)

Name of Part	Qty.	Part No.
BARE AIREND REPAIR KIT .....		306EFA6013
O-RING .....	1	EFC80011839
GASKET .....	1	EFC03428878
GASKET .....	1	EFC81356309
AIREND (ENDURO 3) .....	1	EFC03965238
O-RING .....	1	EFC89725659
O-RING .....	1	EFC89534809
O-RING .....	1	EFC89594469
GASKET .....	1	EFC03598208
 LUBRICANT (ROTORLUB 4000)		
5-GALLON PAIL .....	1	28H166
CASE OF 6, 1 GALLON PAILS .....	1	28H239
 TOUCH-UP PAINT, White		
5-GALLON PAIL .....	1	28H76
1-GALLON CAN .....	1	28H84
1-QUART CAN .....	1	28H83



©2000 Gardner Denver, Inc.  
Litho in U.S.A.

[www.championpneumatic.com](http://www.championpneumatic.com)

Champion  
1301 North Euclid Avenue  
Princeton, Illinois 63156 USA  
Phone: (815) 875-3321  
Fax: 815-872-0421



E-mail: [champion@championpneumatic.com](mailto:champion@championpneumatic.com)

Plants in Princeton IL, and Manteca, CA

Due to Champion's continuing product development program, specification and materials are subject to change without notice.