

NOT INCLUDED  
IN PURCHASED  
ASSY.

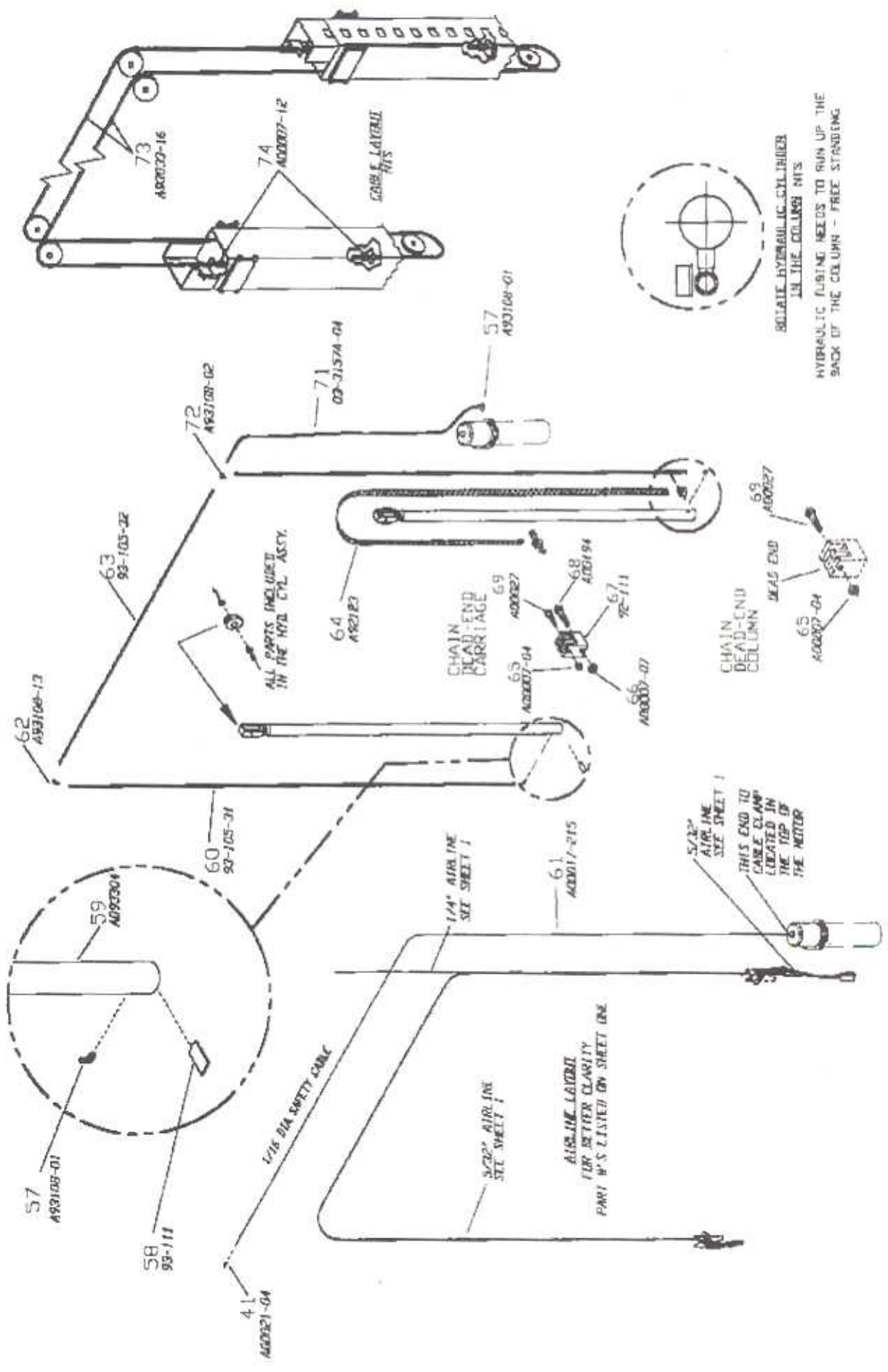
② 414-2 DOG POINT  
SET SCREWS & 2 414-2  
JAM NUTS INCLUDED IN  
EACH PURCHASED ARM  
RESTRAINT ASSY.

AS SHOWN - PURCHASED  
AS PART NO. 09-4312

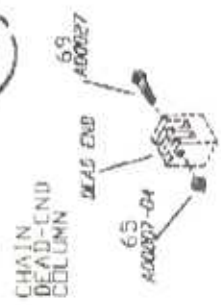
	<b>CORPORATION</b> <small>600 West 10th Street, Suite 100          Minneapolis, Minnesota 55401</small>
	TITLE: 9003A (Chain Over) DRAWING NO: 9003AEXP. DWG SHEET: 1 of 2

JUN 09 2003

JUN 09 2003



ROTATE HYDRAULIC CYLINDER  
 IN THE COLLING NITS  
 HYDRAULIC LUBING NEEDS TO RUN UP THE  
 BACK OF THE COLUMN - FREE STRANDING



5/32" AIRLINE  
 SEE SHEET 1  
 THIS END TO  
 CABLE CLAMP  
 LOCATED IN  
 THE TOP OF  
 THE WELDER

AIRLINE LAYOUT  
 FOR BETTER CLARITY  
 PART #'S LISTED ON SHEET ONE

1/4" AIRLINE  
 SEE SHEET 1

5/32" AIRLINE  
 SEE SHEET 1

1/16 DIA SWIFT CABLE

ALL PARTS INCLUDED  
 IN THE HYD. CYL. ASSY.

CHAIN LAYOUT  
 NITS

