

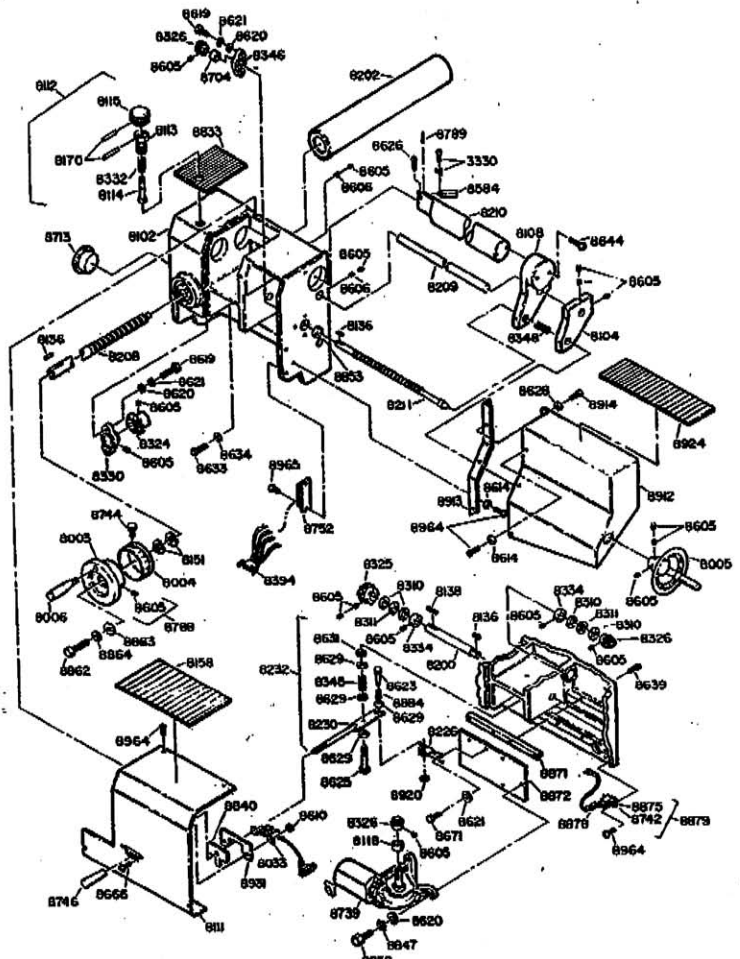
PART NO.	DESCRIPTION
8100	MAIN HOUSING
8106	SHAFT HOUSING
8119	MOTOR BASE
8122	MAIN HOUSING DOOR
8123	MAIN HOUSING DOOR LATCH
8124	SOCKET HEAD CAP SCREW
8136	KEY
8138	KEY
8140	KEY
8143	TURNBUCKLE BODY
8149	TENSION SHAFT ASSY.
8155	TURNBUCKLE ASSY.
8164	RIGHT HAND TURNBUCKLE STUD
8164	COTTER PIN
8165	LEFT HAND TURNBUCKLE STUD

PART NO.	DESCRIPTION
8165	DRAW BAR COVER
8182	CAUTION PLATE
8184	TENSION SHAFT NUT
8301	SPINDLE SHAFT
8208	SUPPORT SHAFT
8220	PRE LOAD TUBING
8301	TAPERED BEARING
8302	TAPERED BEARING
8303	SEAL
8304	SEAL
8306	SEAL
8307	LOCK NUT
8308	SEAL
8312	GREASE FITTING
8313	V-BELT PULLEY
8314	V-BELT
8315	V-BELT
8355	TIMING BELT

PART NO.	DESCRIPTION
8356	TIMING BELT PULLEY
8357	TIMING PULLEY
8358	TAPER LOCKING BUSHING
8359	TAPER LOCKING BUSHING
8365	TAPER LOCKING BAR ASSY.
8492	DRIVE SCREW
8484	DOCP SOCKET SET SCREW
8485	HEX JAM NUT
8488	ROLL PIN
8496	3/8" CONDUIT NUT
8498	SOCKET SETSCREW
8617	HEX HEAD CAP SCREW
8618	HEX HEAD CAP SCREW
8620	FLAT WASHER
8621	SPLIT LOCK WASHER
8622	HEX NUT
8624	HEX HEAD CAP SCREW
8627	HEX HEAD CAP SCREW

PART NO.	DESCRIPTION
8628	SPLIT LOCKWASHER
8663	RT ANGLE GEAR REDUCER
8670	LOCK WASHER
8741	LAMP
8768	STD.40 WATT BULB
8778	STRAIN RELIEF
8783	LOCKWASHER
8815	GEAR REDUCER ASSY.
8865	EYE SHIELD
8988	POWER CORD
8911	1 HP MOTOR 115 VOLT
8964	PHILLIPS PAN HEAD SCREW
8966	PHILLIPS PAN HEAD SCREW
8987	MAIN WIRE HARNESS
8978	ELEC. & SERIAL # PLATE

747



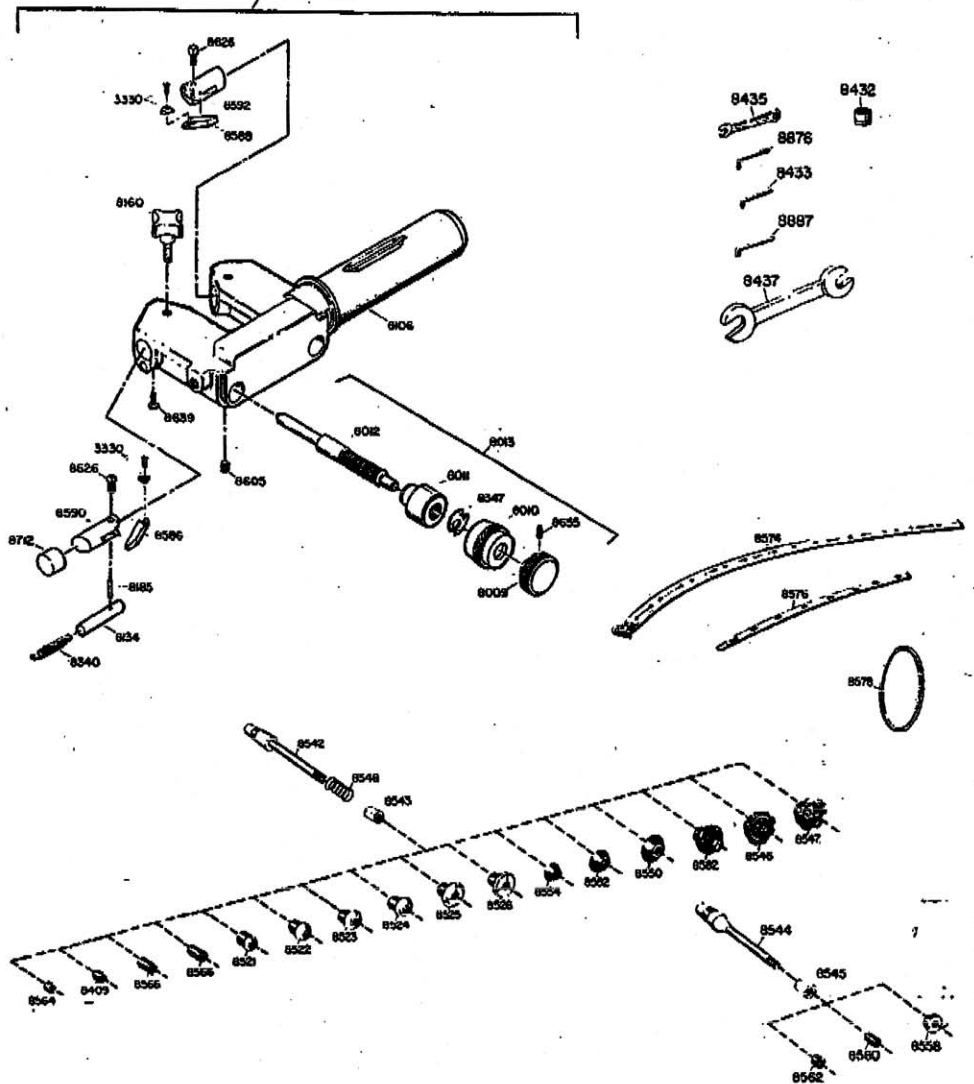
PART NO.	DESCRIPTION
3330	INSERTS AND SCREWS (4 ass)
8003	HAND WHEEL
8004	INDEX SLEEVE
8005	HAND WHEEL
8006	REVOLVING HANDLE
8023	MICROSWITCH ASSY.
8102	FEED CONTROL HOUSING
8104	SMALL FEED GUIDE
8108	LARGE FEED GUIDE
8111	FEED CASTING COVER
8112	DETENT LOCKNUT ASSY
8113	DETENT NUT
8114	DETENT PIN
8116	DETENT KNOB
8119	GEARMOTOR SPACER
8138	KEY
8139	KEY
8151	WAVE WASHER
8159	RUBBER MAT, LARGE
8170	ROLL PIN
8200	PINION SHAFT
8202	MAIN SUPPORT SHAFT
8208	FEED SCREW, LONG

PART NO.	DESCRIPTION
8209	GUIDE SHAFT
8210	BORING BAR
8211	FEED SCREW SHORT
8226	GEAR LEVER MOUNTING BRACKET ASSY.
8230	ROD LEVER ASSY.
8232	SHIFT LEVER ASSY.
8310	THRUST WASHER
8311	THRUST BEARING
8324	3/4" MITER GEAR
8325	6/8" MITER GEAR
8328	1/2" MITER GEAR
8330	3/4" FLANGE BEARING
8332	DETENT SPRING
8334	5/8" SET COLLAR
8345	SHIFT LEVER SPRING, LONG
8348	1/2" FLANGE BEARING
8349	SPRING
8394	SHORT WIRE HARNESS ASSY.
8684	TOOL BIT HOLDER
8606	SOCKET SETSCREW
8600	SOCKET SETSCREW
8610	PLATED HEX NUT
8614	FLAT WASHER

PART NO.	DESCRIPTION
8619	HEX HEAD CAP SCREW
8620	FLAT WASHER
8621	SPLIT LOCK WASHER
8623	SOCKET SHOULDER BOLT
8625	HEX HEAD CAP SCREW
8628	5/16 SQUARE HEAD SCREW
8628	SPLIT LOCK WASHER
8629	FLAT WASHER
8631	HEX NUT
8633	HEX CAP SCREW
8634	SPLIT LOCK WASHER
8639	SOCKET HEAD CAP SCREW
8644	BUTTON HEAD SCREW
8688	FLAT HEAD SLOTTED MACH. SCREW
8671	HEX HEAD CAP SCREW
8704	SHORT FEED SCREW SPACER
8713	CAPLUG
8739	GEAR MOTOR
8742	MICROSWITCH
8744	DIAL SLEEVE KNOB
8748	TAPERED PLASTIC HANDLE
8762	6 PIN TERMINAL BLOCK
8788	HAND WHEEL ASSY.

PART NO.	DESCRIPTION
8833	RUBBER MAT, SMALL
8840	CHIP COVER
8847	LOCK WASHER
8852	HEX HEAD CAP SCREW
8863	OIL SEAL
8882	HEX HEAD CAP SCREW
8883	FLAT WASHER
8884	LOCK WASHER
8871	GB
8872	MOTOR FEED MOUNTING PLATE
8875	OVER RIDE SWITCH MOUNT
8878	OVER RIDE JUMPER ASSY
8879	OVER RIDE SWITCH ASSY.
8884	SHIFT LEVER SPRING, SHORT
8912	FEED GUIDE COVER
8913	ANGLE SUPPORT
8914	B.H.C.S.
8920	SEPARATED FLANGE NUT
8924	RUBBER MAT, MEDIUM
8921	CHIP COVER GUIDE
8984	PHILLIPS PAN HEAD SCREW
8865	PHILLIPS PAN HEAD SCREW

8030 (DETAIL A)



PART NO.	DESCRIPTION
3330	INSERTS AND SCREWS (4 ea)
8008	DIAL ASSEMBLY KNOB
9010	MICROMETER DIAL
9011	DIAL ASSEMBLY PLUG
9012	DIAL ASSEMBLY ROD
9019	MICROMETER DIAL ASSY
9030	TWIN CUTTER HEAD ASSY.
9108	TWIN CUTTER HEAD
9134	SPRING HOLDER
9180	LOCK KNOB ASSY.
985	ROLL PIN
940	SPRING
9347	FINGER SPRING WASHER
9408	1" SPACER

PART NO.	DESCRIPTION
8432	1" SOCKET
8433	1/8" ALLEN WRENCH
8496	8mm WRENCH
8437	1 3/8" WRENCH
9521	COLLET 1.3
9522	COLLET 1.5
9523	COLLET 1.7
9524	COLLET 2.0
9525	COLLET 2.3
9526	COLLET 2.5
9542	1" ARBOR SHAFT
9543	1" ARBOR NUT
9544	1 1/16" ARBOR SHAFT
9545	1 1/16" ARBOR NUT

PART NO.	DESCRIPTION
9546	CLAMPING CUP 5 5/8
9547	CLAMPING CUP 6 3/4
9548	SPRING
9580	CONE 4
9552	CONE 3 1/4
9584	CONE 2 3/4
9558	CONE 1 3/4
9590	SPACER
9592	SPACER
9584	1/2" SPACER
9598	2" SPACER
9574	DRUM SILENCER BAND
9576	DISC SILENCER BAND

PART NO.	DESCRIPTION
9578	NON-VENTED DISC SILENCER BAND
9582	CLAMPING CUP 4 1/2
9596	L.H. TOOL HOLDER ASSY.
9598	R.H. TOOL HOLDER ASSY.
9590	LEFT HAND TOOL HOLDER
9582	RIGHT HAND TOOL HOLDER
9595	SOCKET SETSCREW
9520	5/16 SQUARE HEAD SCREW
9599	SOCKET HEAD CAP SCREW
9555	SOCKET SET SCREW
9712	CAPLUG
9576	3/32 HEX WRENCH
9887	1/4" ALLEN WRENCH

WHEN ORDERING PARTS ALWAYS GIVE THE FOLLOWING INFORMATION

(1) PART NUMBER

(2) DESCRIPTION

(3) SERIAL NUMBER OF YOUR MACHINE

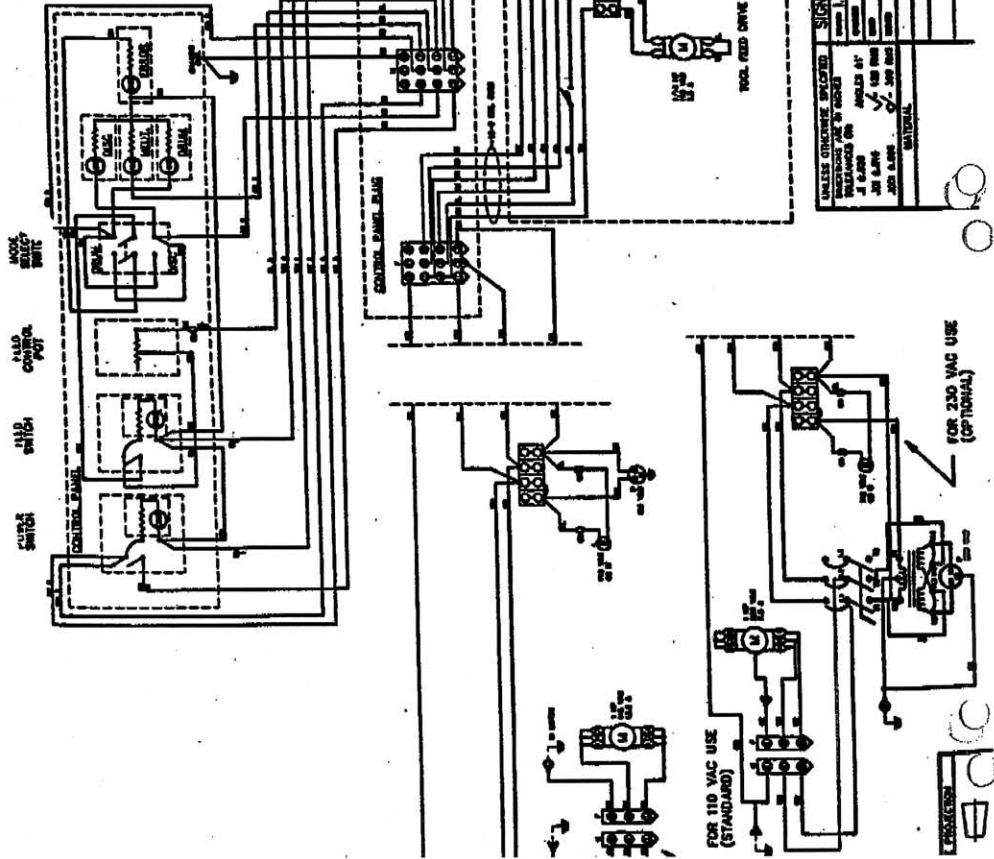
PER ECA # 0183
C PER ECA # 328

10/19/68

747

COLOR CODE	TERMINAL	WIRE	WIRE	WIRE	WIRE	WIRE
RED	1	1	1	1	1	1
ORANGE	2	2	2	2	2	2
YELLOW	3	3	3	3	3	3
GREEN	4	4	4	4	4	4
BLUE	5	5	5	5	5	5
PURPLE	6	6	6	6	6	6
BROWN	7	7	7	7	7	7
BLACK	8	8	8	8	8	8

CONNECTOR CODE	WIRE	WIRE	WIRE	WIRE	WIRE
1	1	1	1	1	1
2	2	2	2	2	2
3	3	3	3	3	3
4	4	4	4	4	4
5	5	5	5	5	5
6	6	6	6	6	6
7	7	7	7	7	7
8	8	8	8	8	8



UNLESS OTHERWISE SPECIFIED	SIGNATURES	DATE
DESIGNED BY		
CHECKED BY		
APPROVED BY		
DATE		
SCALE		
PROJECT NO.		
DRAWING NO.		
REV.		
BY		
DATE		
APPROVED BY		
DATE		
PROJECT NO.		
DRAWING NO.		
REV.		
BY		
DATE		

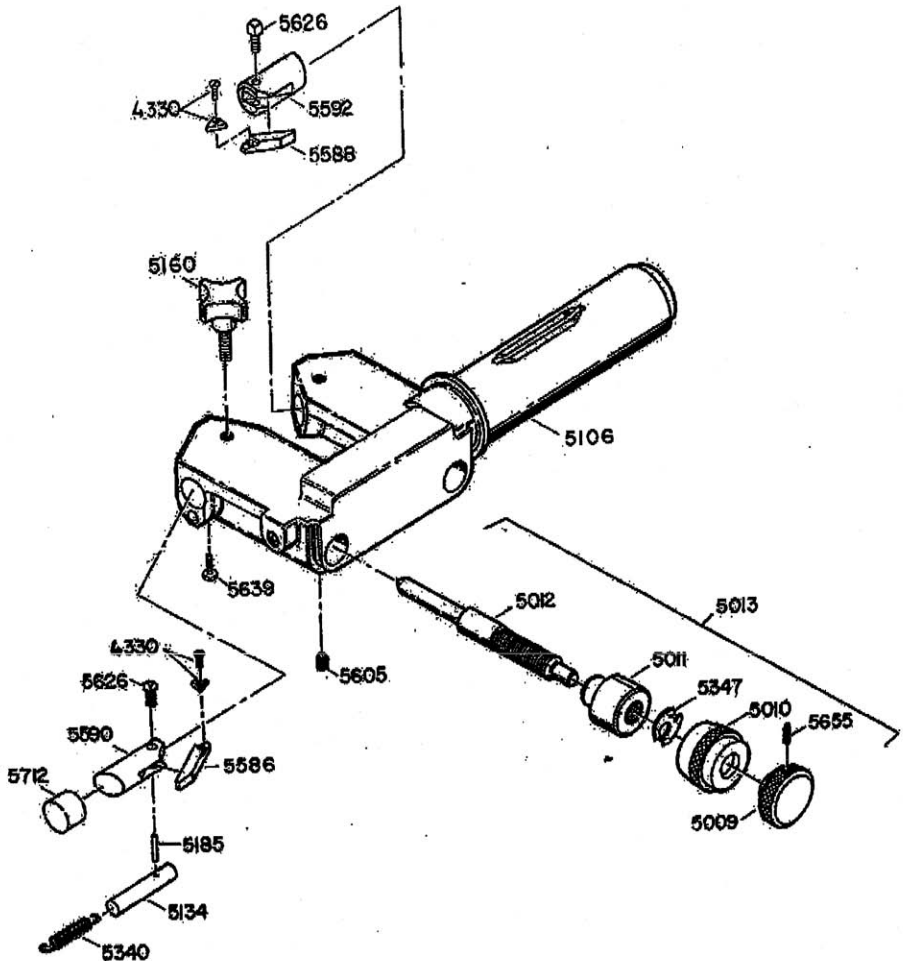
BRAKE LATHE SCHEMATIC

8165

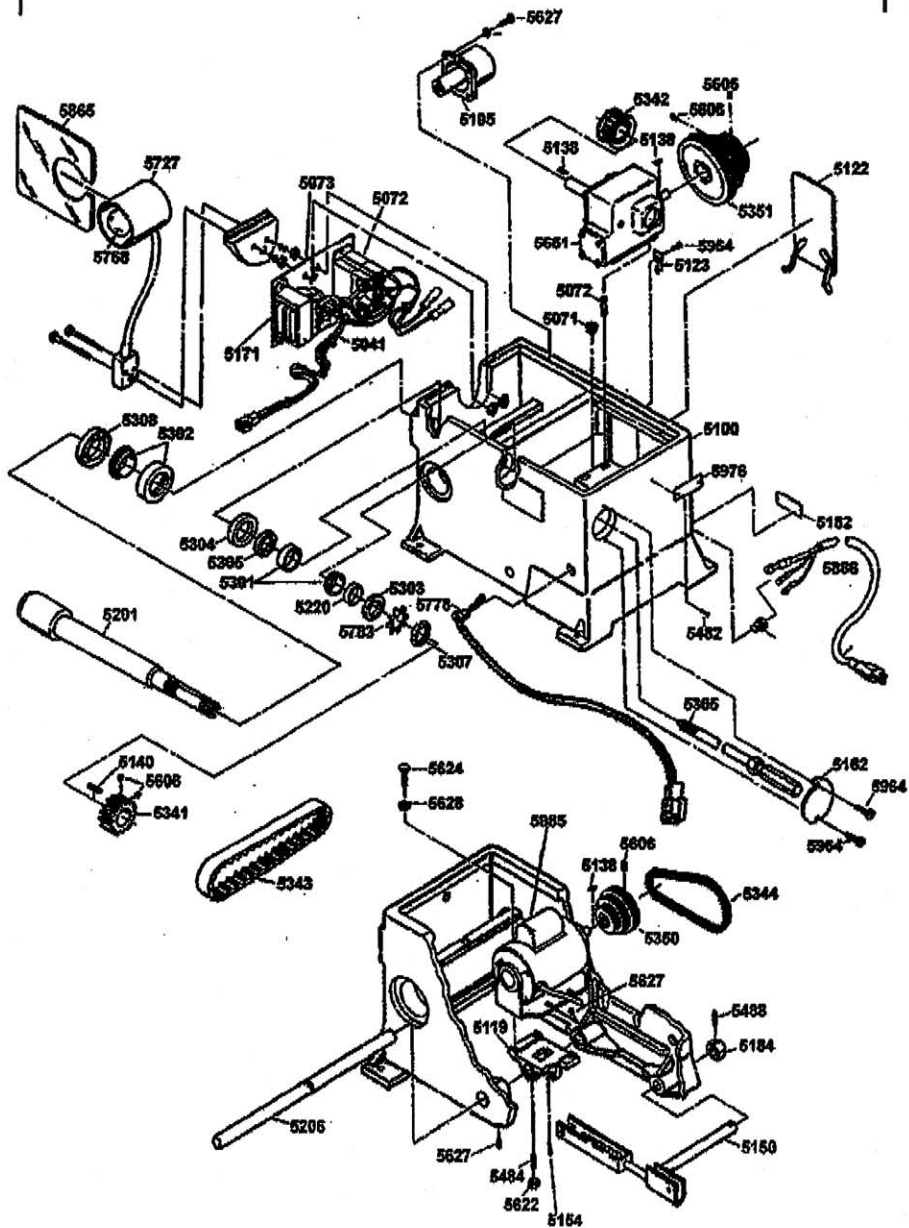
FOR 110 VAC USE (STANDARD)

FOR 230 VAC USE (OPTIONAL)

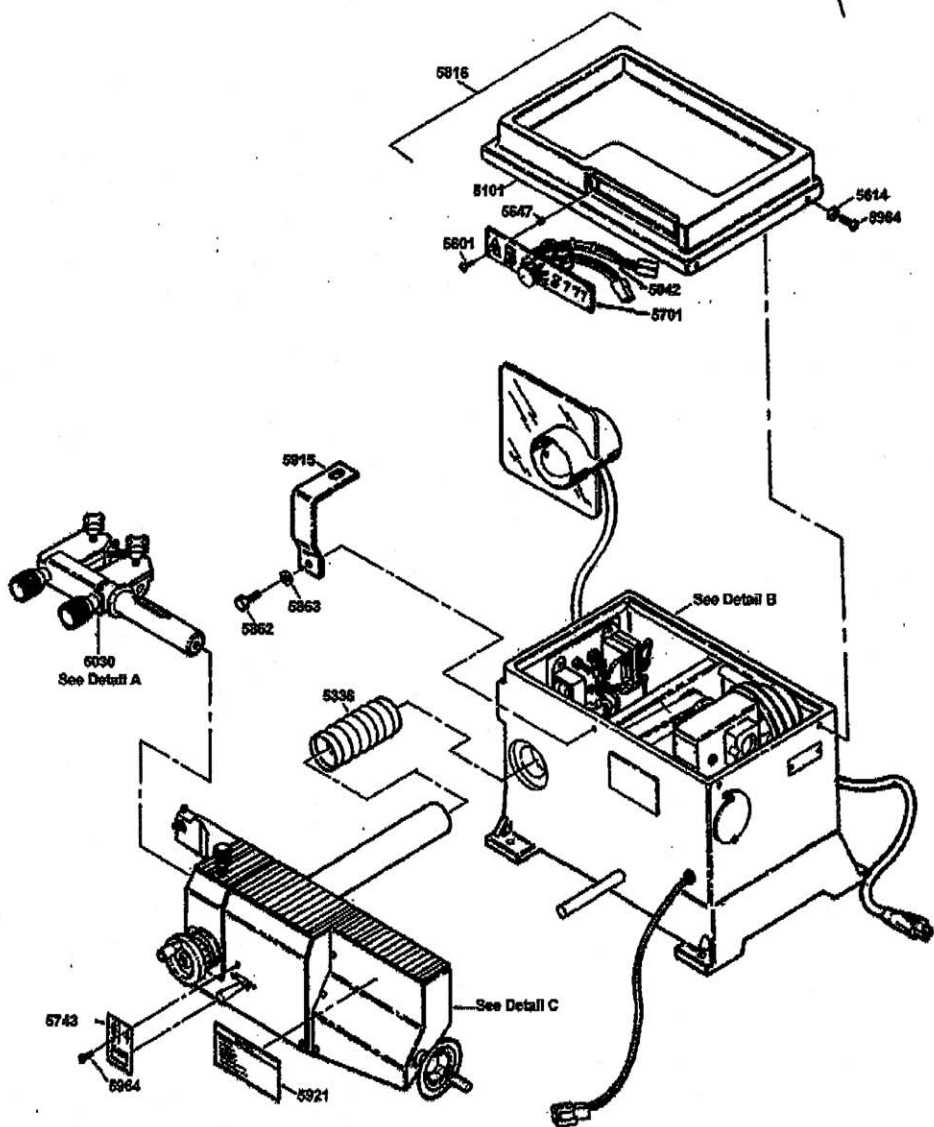
5030 (DETAIL A)



DETAIL B



777



Detail C

