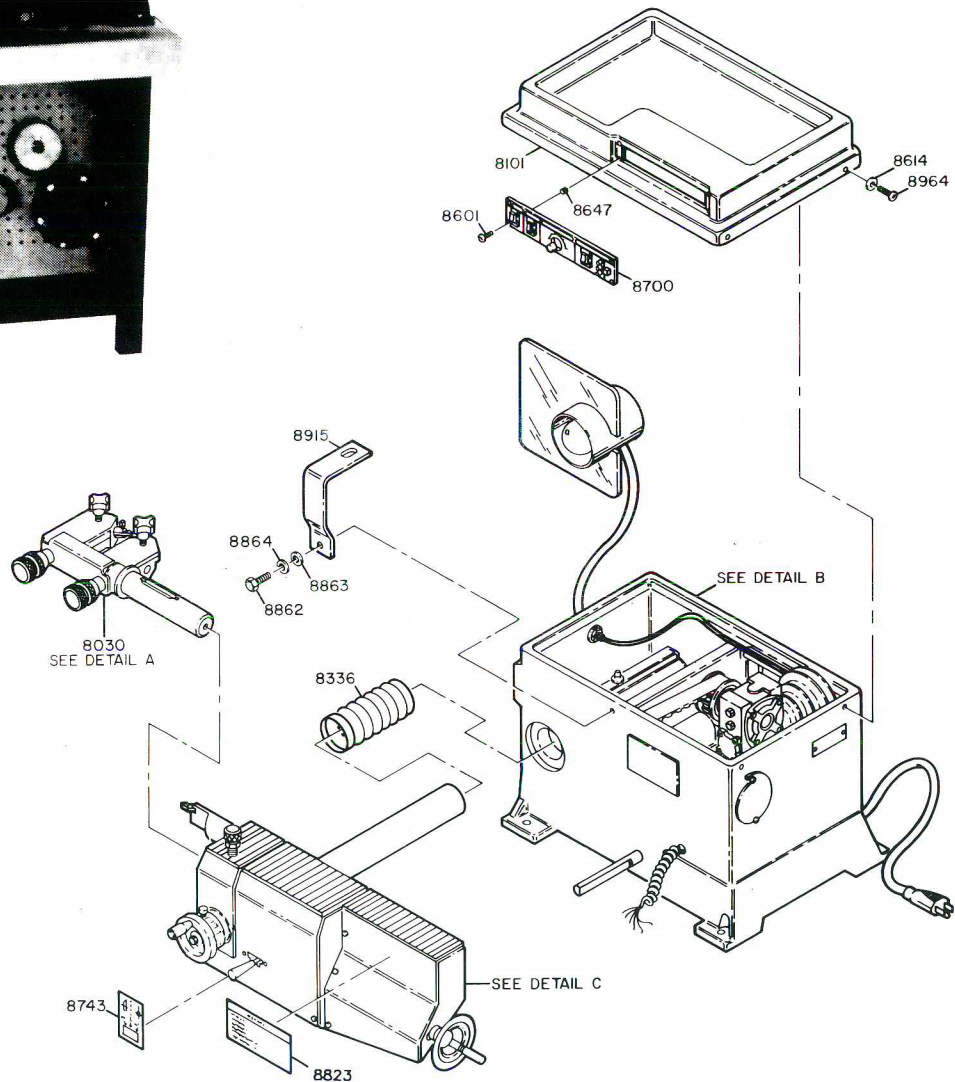


ALL TOOL 747

BRAKE LATHE

This parts list for
units with
SERIAL No. 1293103751 & UP

ORDER PARTS FROM YOUR DISTRIBUTOR JOBBER



PART NO. DESCRIPTION

8030 TWIN CUTTER HEAD ASSY
8101 TOP TRAY
8336 BOOT ASSY.
8601 OVAL HEAD PHILLIPS SCREW

PART NO. DESCRIPTION

8614 FLAT WASHER
8647 INSERT-TAPERED THREAD
8700 CONTROL PANEL ASSY
8743 SHIFT DECAL

PART NO. DESCRIPTION

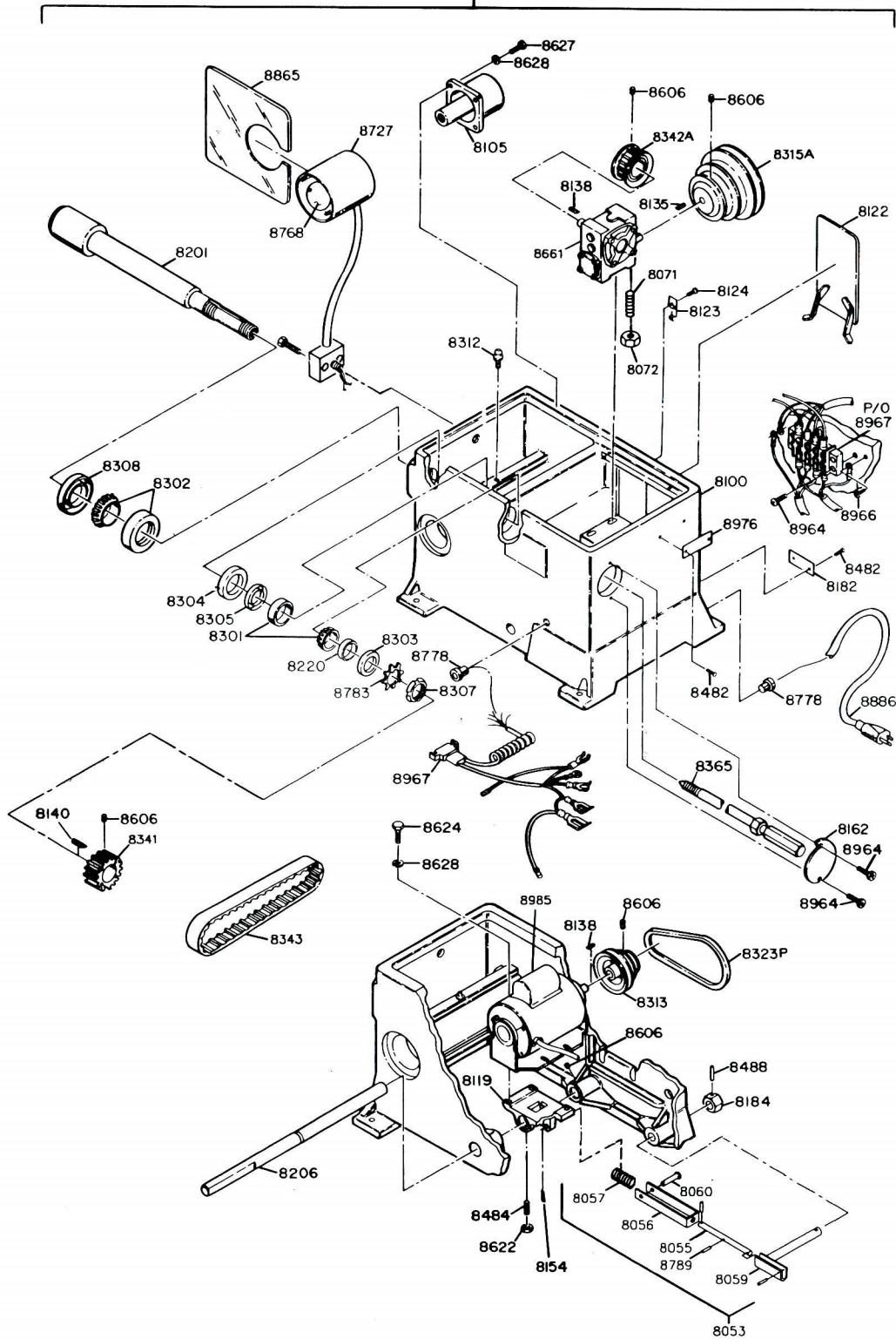
8823 SAFETY DECAL
8862 HEX HEAD CAP SCREW
8863 FLAT WASHER
8864 LOCK WASHER

PART NO. DESCRIPTION

8915 LIFT HOOK
8964 PHILLIPS PAN HEAD SCREW

WHEN ORDERING PARTS ALWAYS GIVE THE FOLLOWING INFORMATION
(1) PART NUMBER (2) DESCRIPTION (3) SERIAL NUMBER OF YOUR MACHINE

DETAIL B



PART NO. DESCRIPTION

8053 MOTOR TENSION ASSY
 8055 ROD
 8056 SPRING BRACKET
 8057 TENSION SPRING
 8059 LOCKING SHAFT
 8060 CLEVIS PIN
 8071 3/8" STUD
 8072 3/8" NUT
 8100 MAIN HOUSING
 8105 SHAFT HOUSING
 8119 MOTOR BASE
 8122 MAIN HOUSING DOOR
 8123 MAIN HOUSING DOOR LATCH
 8124 SOCKET HEAD CAP SCREW
 8135 KEY

PART NO. DESCRIPTION

8138 KEY
 8140 KEY
 8154 COTTER PIN
 8162 DRAW BAR COVER
 8182 CAUTION PLATE
 8184 TENSION SHAFT NUT
 8201 SPINDLE SHAFT
 8206 SUPPORT SHAFT
 8220 PRE LOAD TUBING
 8301 TAPERED BEARING
 8302 TAPERED BEARING
 8303 SEAL
 8304 SEAL
 8305 SEAL
 8307 LOCK NUT
 8308 SEAL

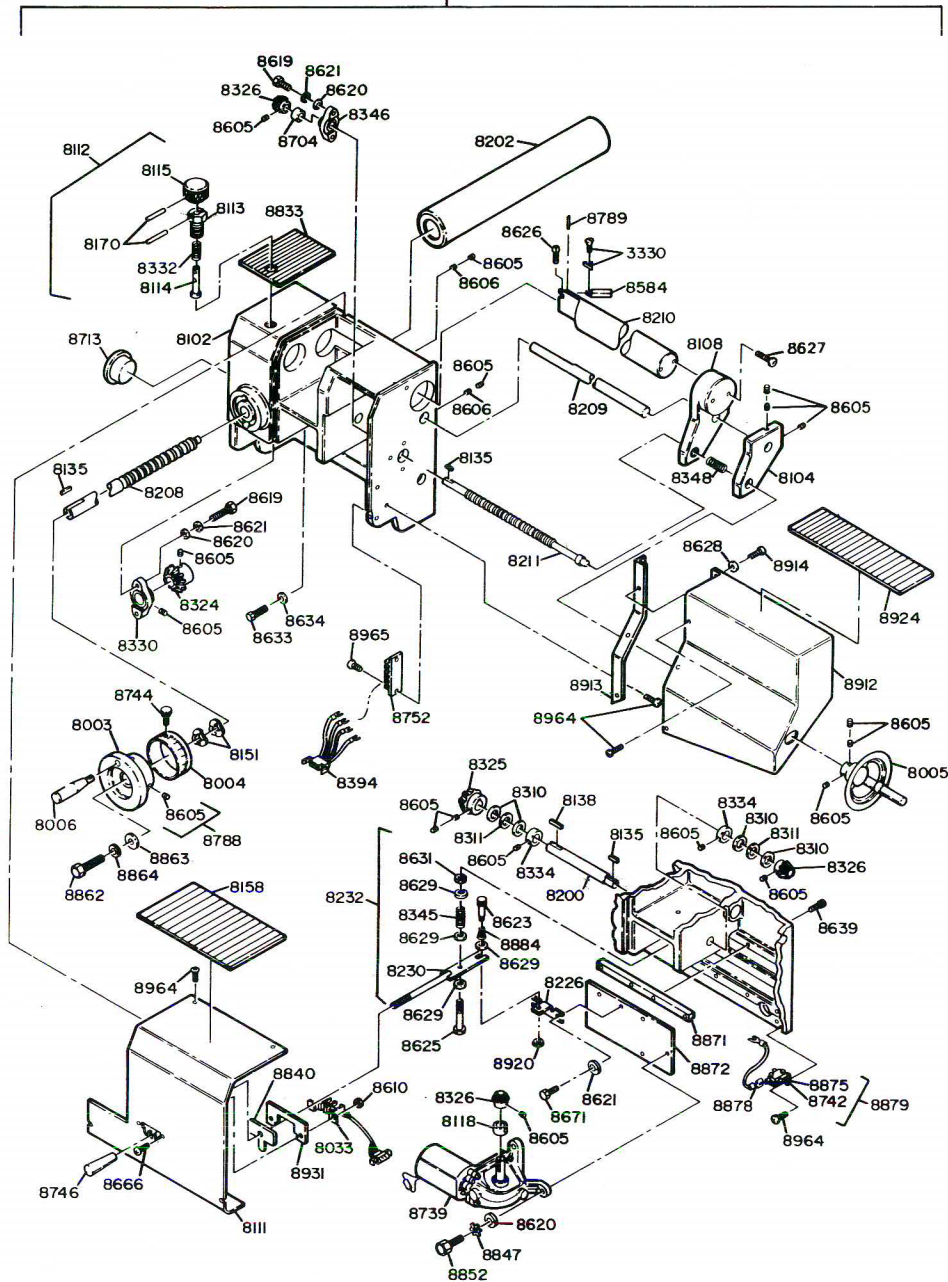
PART NO. DESCRIPTION

8312 GREASE FITTING
 8313 V-BELT PULLEY
 8315A V-BELT PULLEY
 8323P V-BELT
 8341 TIMING PULLEY
 8342A TIMING BELT PULLEY
 8343 V-BELT PULLEY
 8365 TAPER LOCKING BAR ASSY.
 8482 DRIVE SCREW
 8484 DOGPT SOCKET SET SCREW
 8488 ROLL PIN
 8606 SOCKET SETSCREW
 8622 HEX NUT
 8624 HEX HEAD CAP SCREW
 8627 HEX HEAD CAP SCREW
 8628 SPLIT LOCKWASHER

PART NO. DESCRIPTION

8661 RT ANGLE GEAR REDUCER
 8727 LAMP, ALUMINUM BASE
 8768 STD.40 WATT BULB
 8778 STRAIN RELIEF
 8783 LOCKWASHER
 8789 ROLL PIN
 8865 EYE SHIELD
 8886 POWER CORD
 8964 PHILLIPS PAN HEAD SCREW
 8966 PHILLIPS PAN HEAD SCREW
 8967 MAIN WIRE HARNESS
 8976 ELEC. & SERIAL # PLATE
 8985 1 HP MOTOR 115 VOLT

DETAIL C



PART NO. DESCRIPTION

- 3330 INSERTS AND SCREWS (4 ea)
- 8003 HAND WHEEL
- 8004 INDEX SLEEVE
- 8005 HAND WHEEL
- 8006 REVOLVING HANDLE
- 8033 MICROSWITCH ASSY.
- 8102 FEED CONTROL HOUSING
- 8104 SMALL FEED GUIDE
- 8108 LARGE FEED GUIDE
- 8111 FEED CASTING COVER
- 8112 DETENT LOCKNUT ASSY
- 8113 DETENT NUT
- 8114 DETENT PIN
- 8115 DETENT KNOB
- 8118 GERMOTOR SPACER
- 8135 KEY
- 8138 KEY
- 8151 WAVE WASHER
- 8158 RUBBER MAT, LARGE
- 8170 ROLL PIN
- 8200 PINION SHAFT
- 8202 MAIN SUPPORT SHAFT
- 8208 FEED SCREW, LONG

PART NO. DESCRIPTION

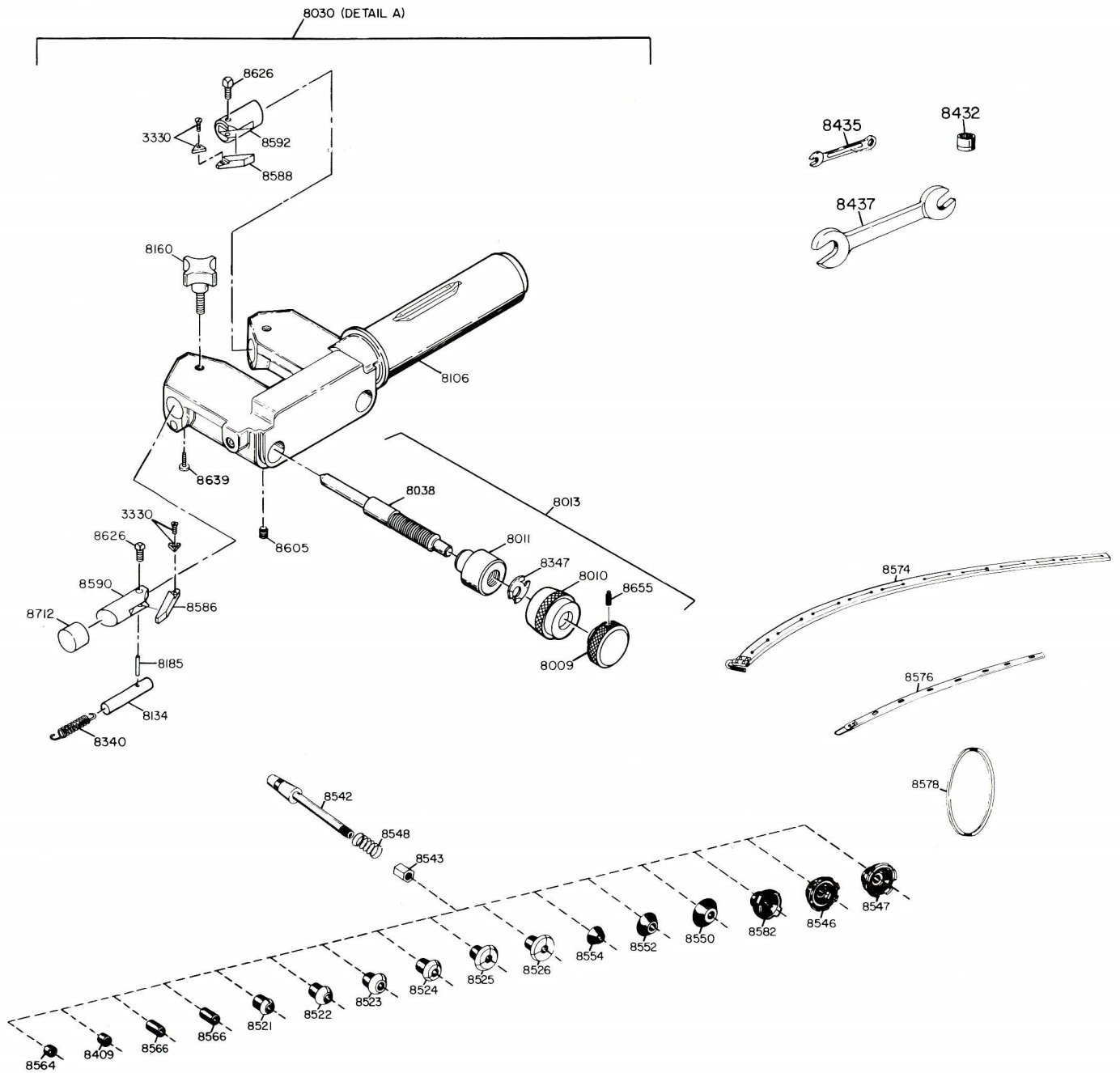
- 8209 GUIDE SHAFT
- 8210 BORING BAR
- 8211 FEED SCREW SHORT
- 8226 GEAR LEVER MOUNTING BRACKET ASSY
- 8230 ROD LEVER ASSY.
- 8232 SHIFT LEVER ASSY.
- 8310 THRUST WASHER
- 8311 THRUST BEARING
- 8324 3/4" MITER GEAR
- 8325 5/8" MITER GEAR
- 8326 1/2" MITER GEAR
- 8330 3/4" FLANGE BEARING
- 8332 DETENT SPRING
- 8334 5/8" SET COLLAR
- 8345 SHIFT LEVER SPRING, LONG
- 8346 1/2" FLANGE BEARING
- 8348 SPRING
- 8394 SHORT WIRE HARNESS ASSY.
- 8584 TOOL BIT HOLDER
- 8605 SOCKET SETSCREW
- 8606 SOCKET SETSCREW
- 8610 PLATED HEX NUT
- 8619 HEX HEAD CAP SCREW

PART NO. DESCRIPTION

- 8620 FLAT WASHER
- 8621 SPLIT LOCK WASHER
- 8623 SOCKET SHOULDER BOLT
- 8625 HEX HEAD CAP SCREW
- 8626 5/16 SQUARE HEAD SCREW
- 8627 BUTTON HEAD CAP SCREW
- 8628 SPLIT LOCKWASHER
- 8629 FLAT WASHER
- 8631 HEX NUT
- 8633 HEX CAP SCREW
- 8634 SPLIT LOCK WASHER
- 8639 SOCKET HEAD CAP SCREW
- 8666 FLAT HEAD SLOTTED MACH. SCREW
- 8671 HEX HEAD CAP SCREW
- 8704 SHORT FEED SCREW SPACER
- 8713 CAPPLUG
- 8739 GEAR MOTOR
- 8742 MICROSWITCH
- 8744 DIAL SLEEVE KNOB
- 8746 TAPERED PLASTIC HANDLE
- 8752 6 PIN TERMINAL BLOCK
- 8788 HAND WHEEL ASSY.
- 8789 ROLL PIN

PART NO. DESCRIPTION

- 8833 RUBBER MAT, SMALL
- 8840 CHIP COVER
- 8847 LOCK WASHER
- 8852 HEX HEAD CAP SCREW
- 8862 HEX HEAD CAP SCREW
- 8863 FLAT WASHER
- 8864 LOCK WASHER
- 8871 GIB
- 8872 MOTOR FEED MOUNTING PLATE
- 8875 OVER RIDE SWITCH MOUNT
- 8878 OVER RIDE JUMPER ASSY
- 8879 OVER RIDE SWITCH ASSY.
- 8884 SHIFT LEVER SPRING, SHORT
- 8912 FEED GUIDE COVER
- 8913 ANGLE SUPPORT
- 8914 B.H.C.S.
- 8920 SERRATED FLANGE NUT
- 8924 RUBBER MAT, MEDIUM
- 8931 CHIP COVER GUIDE
- 8964 PHILLIPS PAN HEAD SCREW
- 8965 PHILLIPS PAN HEAD SCREW



PART NO. DESCRIPTION

3330 INSERTS AND SCREWS (4 ea)
 8009 DIAL ASSEMBLY KNOB
 8010 MICROMETER DIAL
 8011 DIAL ASSEMBLY PLUG
 8013 MICROMETER DIAL ASSY
 8030 TWIN CUTTER HEAD ASSY.
 8038 DIAL ASSEMBLY ROD
 8106 TWIN CUTTER HEAD
 8134 SPRING HOLDER
 8160 LOCK KNOB ASSY.
 8185 ROLL PIN
 8340 SPRING

PART NO. DESCRIPTION

8347 FINGER SPRING WASHER
 8409 1" SPACER
 8432 1" SOCKET
 8435 8mm WRENCH
 8437 1 3/8" WRENCH
 8521 COLLET 1.3
 8522 COLLET 1.5
 8523 COLLET 1.7
 8524 COLLET 2.0
 8525 COLLET 2.3
 8526 COLLET 2.5
 8542 1" ARBOR SHAFT

PART NO. DESCRIPTION

8543 1" ARBOR NUT
 8546 CLAMPING CUP 5 5/8
 8547 CLAMPING CUP 5 3/4
 8548 SPRING
 8550 CONE 4
 8552 CONE 3 1/4
 8554 CONE 2 3/4
 8564 1/2" SPACER
 8566 2" SPACER
 8574 DRUM SILENCER BAND
 8576 DISC SILENCER BAND
 8578 NON-VENTED DISC SILENCER BAND

PART NO. DESCRIPTION

8582 CLAMPING CUP 4 1/2
 8586 L.H. TOOL HOLDER ASSY.
 8588 R.H. TOOL HOLDER ASSY.
 8590 LEFT HAND TOOL HOLDER
 8592 RIGHT HAND TOOL HOLDER
 8605 SOCKET SETSCREW
 8626 5/16 SQUARE HEAD SCREW
 8639 SOCKET HEAD CAP SCREW
 8655 SOCKET SET SCREW
 8712 CAPLUG

WHEN ORDERING PARTS ALWAYS GIVE THE FOLLOWING INFORMATION
(1) PART NUMBER (2) DESCRIPTION (3) SERIAL NUMBER OF YOUR MACHINE

8692-A