



CEMB

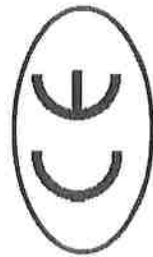
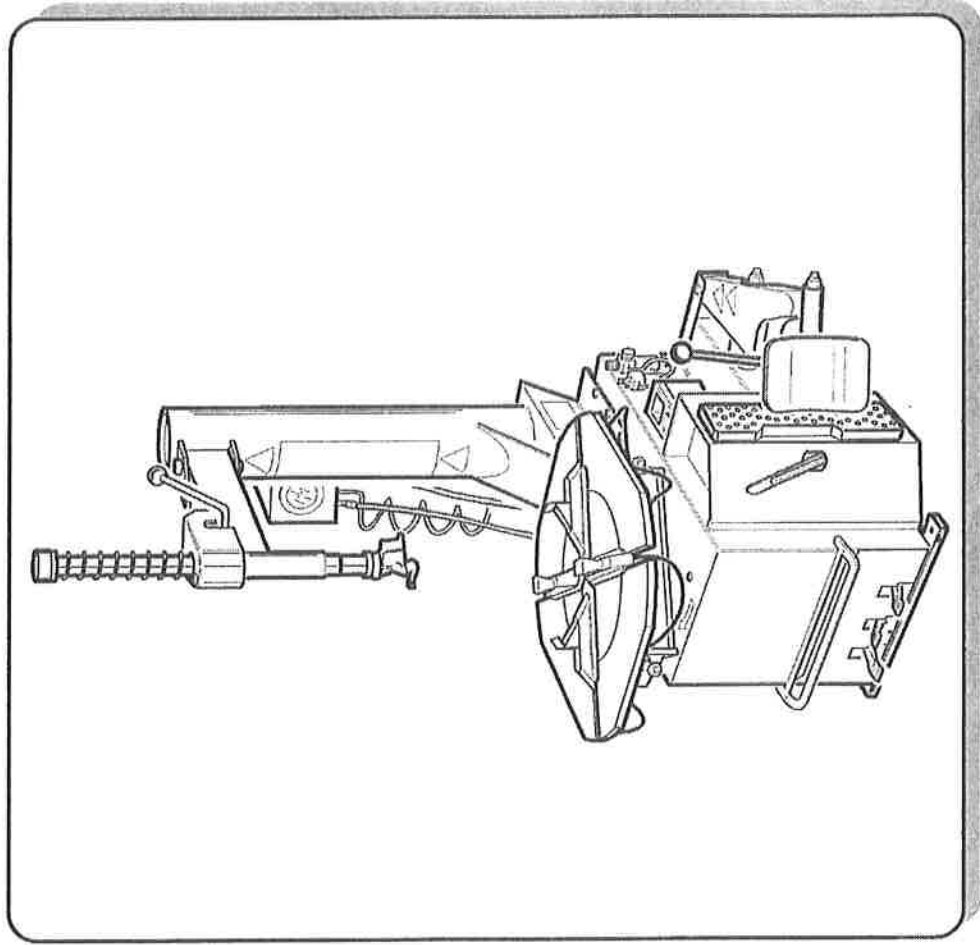
S.p.A.

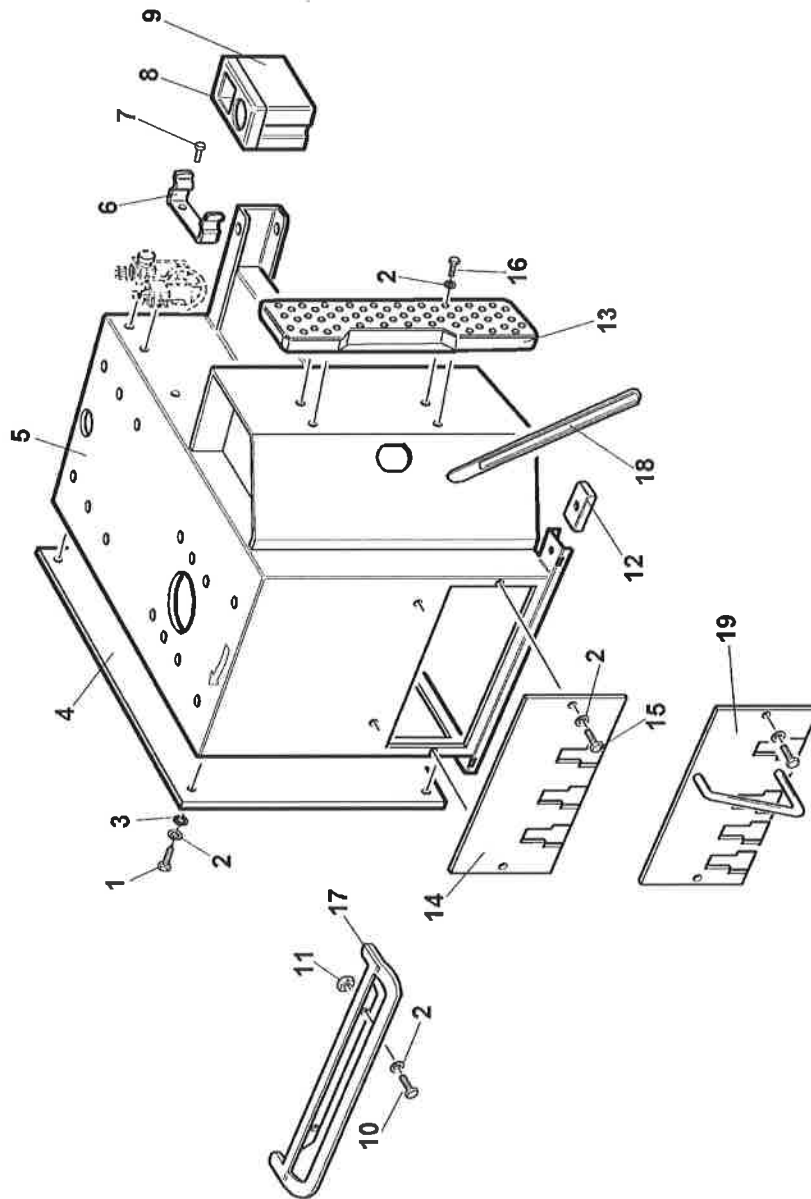
CATALOGO RICAMBI ORIGINALI - ORIGINAL SPARE PARTS

CATALOGUE PIECES D'ORIGINE - ORIGINALESATZTEILE

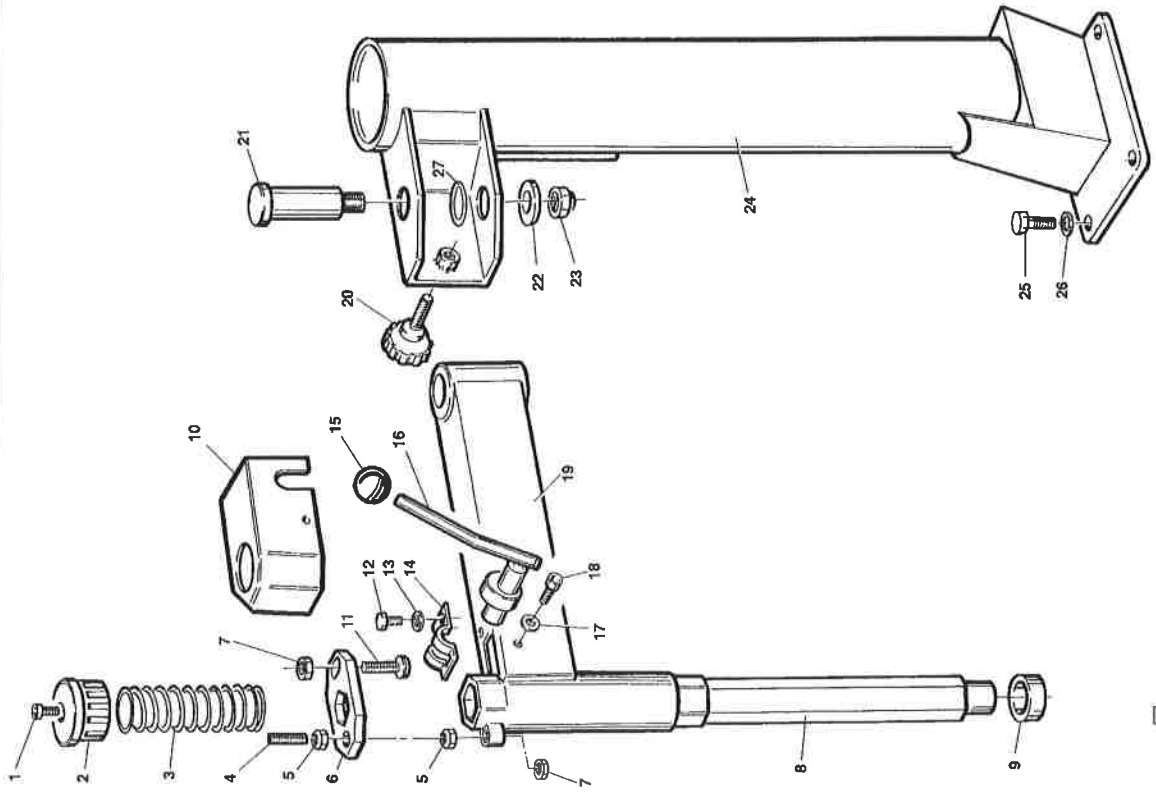
Ed. 10/2003

**SM915 TI
MAXI**



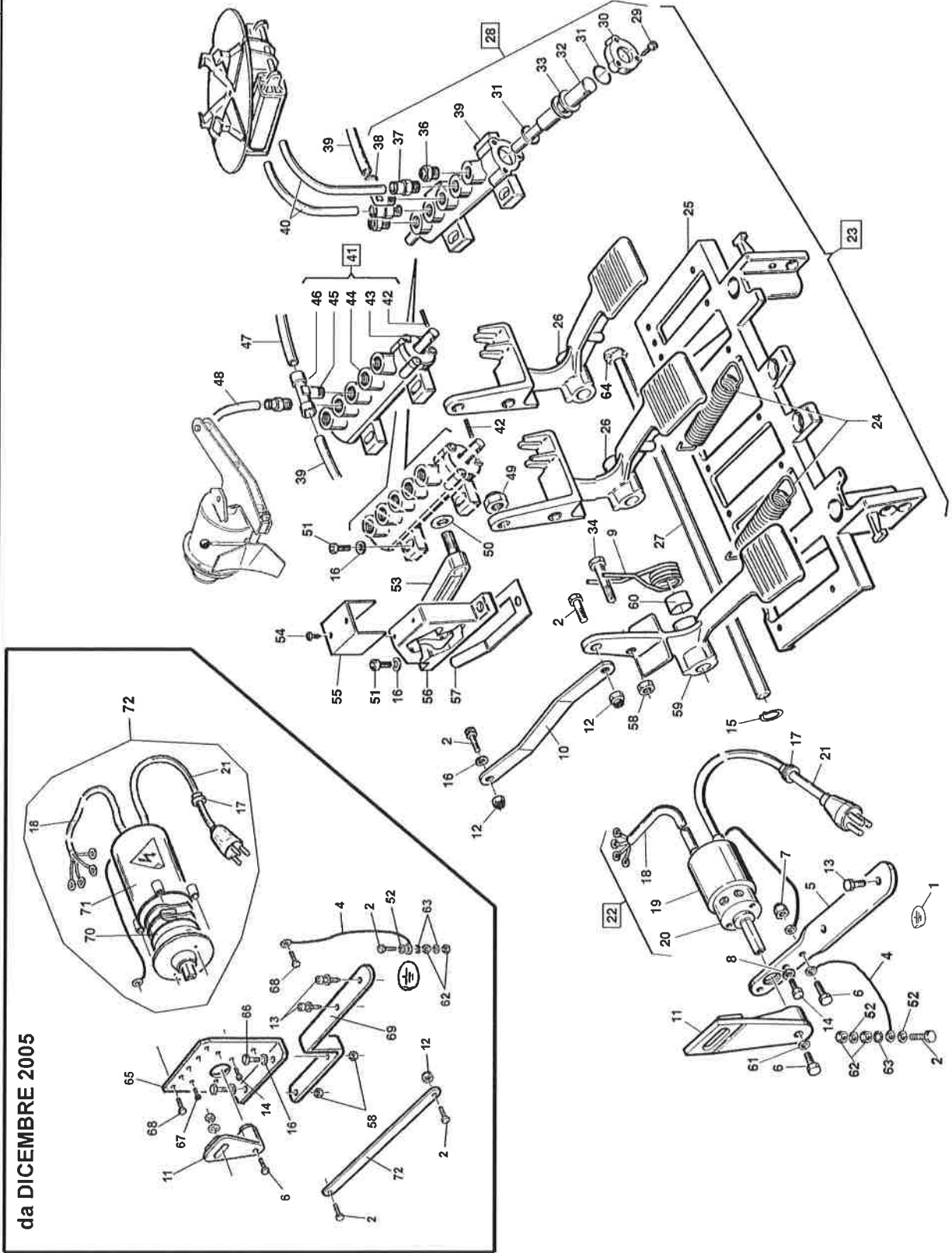


ref	code	Descrizione	Description	Description UK	Beschreibung DM
1	4398108	VITE AUTOF. TCEI 6,3x16 ZNT	VIS AUTOTARADEUSE 6,3x16	SELF-TAPPING SCREW 6,3x16	BLECHSCHRAUBE 6,3x16
2	4399998	RONDELLA 6 (6,4x12x1,6)	RONDELLE 6 (6,4x12x1,6)	WASHER 6 (6,4x12x1,6)	BEILAGSSCHEIBE 6 (6,4x12x1,6)
3	4399288	ROND. DEN.LES."A" 6,4x11x0,7	RONDELLE DENTEE 6,4x11x0,7	TOOTHED WASHER 6,4x11x0,7	ZAHNSCHEIBE 6,4x11x0,7
4	2101800	COPERCHIO LAT. GT	COUVERTURE LATERALE	SIDE COVER	SEITENABDECKUNG
5	2111422	CARCASSA	BATI	SHELL	RAHMEN
6	6600920	SUPPORTO VASO GRASSO -NERO	SUPPORT BOL DE GRAISSE	CUP SUPPORT	SCHMIERBECKENLAGER
7	4396491	RIVETTO D.3,9x15 ALL.	RIVET D.3,9x15	RIVET D.3,9x15	NIET D.3,9x15
8	3199755	COPERCHIO PER VASO GRASSO	COUVERTURE	COVER	ABDECKUNG
9	3199756	VASO PER GRASSO	BOL DE GRAISSE	LUBE CUP	SCHMIERBEHAELTER
10	4399892	VITE TE 6x20	VIS 6x20	SCREW 6x20	SCHRAUBE 6x20
11	4399889	DADO M 6	ECROU M6	NUT M6	MUTTER M6
12	3002099	PIEDE IN PLASTICA PER CARCASSA	PIED EN PLASTIQUE	PLASTIC FOOT	PLASTIKFUSS
13	3007064	TAMPONE UNICO IN GOMMA TIPO	TAMPON EN CAOUCCHOUC	RUBBER PAD	GUMMIKLOTZ
14	6612452	SUPP.PEDALIERA 4 PEDALI	SUPPORT PEDALES	PEDAL SUPPORT	PEDALTRAEGER
15	4398723	VITE TE 6x12 8.8 5739	VIS 6x12	SCREW 6x12	SCHRAUBE 6x12
16	4399999	VITE TCEI M 6x25	VIS 6x25	SCREW 6x25	SCHRAUBE 6x25
17	6612120	PROTEZIONE PEDALI(C-B)	PROTECTION PEDALES	PEDAL COVER	PEDALSCHUTZ
18	3006970	LEVA ALZATALLONI TIPO C	LEVIER DECOLLE-TALONS	BEAD LIFTING LEVER	WULSTABDRUECKHEBEL
19	6612080	SUPP. PEDALIERA 3 PEDALI	SUPPORT PEDALES	PEDAL SUPPORT	PEDALTRAEGER



Ref	Codart	Descrizione	Description	Description	Beschreibung
1	4399134	VITE TCEI M 8x30 8.8 5931	VIS M8x30 8.8	SCREW 8x30 8.8	SCHRAUBE 8x30 8.8
2	3001759	POMOLO BRACCIO OPERANTE	POMMEAU BRAS OPERATEUR	OPERATING ARM KNOB	KUGELGRIFF
3	3005407	MOLLA COMPR.BO 41 MAXI-ZNT	RESSORT	SPRING	DRUCKFEDER
4	4397964	VITE STEI 10x80 P.CIL. 5925	VIS 10x80 UNI 5925	SCREW 10x80	SCHRAUBE 10x80
5	4399971	DADO AUTOBL.M10 BASSO.6S. 7474	ECROU A' BLOCAGE AUTOMAT.	SELF-LOCKING NUT M10	SELBSTSICHERNDE MUTTER M10
6	3002366	PIASTRA BL.BO ES.41 MAXI-BRUN.	PLAQUE DE BLOCAGE	ARM LOCKING PLATE	FIXIERSCHEIBE
7	4399967	DADO M10 6S BASSO ZNT 5589	ECROU M10	NUT M10	MUTTER M10
8	3002365	BRACCIO OP. ES.41 L=777 MAXI	BARRE DE MONTAGE RACING E.41	OPERATING ARM L=777	BEDIENUNGSARM L=777
9	3009044	AMMORTIZZ.SPEC.UT. D.34x4x13	AMORTISSEUR SPEC.	SHOCK ABSORBER	SONDERSTOSSDAEMPFER
10	3006662	CARENATURA PALO ORIZZONTALE	COUVERTURE EN ABS	HORIZONTAL ARM ABS COVER	ARMVERKLEIDUNG
11	4398900	VITE OTTONE TE M10x25	BRASS SCREW 10x25	BRASS SCREW 10x25	MESSINGSCHRAUBE 10x25
12	4399946	VITE TE 8x16 8.8 5739	VIS M8x16 8.8	SCREW M8x16 8.8	SCHRAUBE M8x16 8.8
13	4399829	RONDELLA 8 (8,4x16x1,5)ZNT6592	RONDELLE 8 (8,4X16X1,5)	WASHER 8 (8,4x16x1,5)	SCHIBE 8 (8,4x16x1,5)
14	3006663	PIASTRA FULCRO L.DI BLOC.BRUN.	PLAQUE D'APPUI	FULCRUM PLATE	STUETZPUNKTPLATTE
15	4299952	POMOLO D.14	POIGNEE D.14	KNOB D.14	KUGELGRIFF D.14
16	2106664	LEVA BLOCC. B.O. -ZNT BIANCO	LEVIER BLOCAGE BRAS OPERATEUR	LOCKING LEVER	ARMSPERRHEBEL
17	4399998	RONDELLA 6 (6,4x12x1,6)ZNT6592	RONDELLE 6 (6,4x12x1,6)	WASHER 6 (6,4x12x1,6)	SCHIBE 6 (6,4x12x1,6)
18	4398723	VITE TE 6x12 8.8 5739	VIS TE 6x12 8.8	SCREW 6x12 8.8	SCHRAUBE 6x12 8.8
19	8006658	PALO ORIZZONTALE	BRAS HORIZONTAL	HORIZONTAL ARM	WAAGERECHTER ARM
20	3000487	VOLANTINO M16 V170M-M16X100	PETIT VOLANT M16	HANDWHEEL M16	HANDRAD M16
21	3000078	PERNO SNODO PALO ORIZZONTALE	AXE D'ARTICULATION BRAS HORIZ.	HORIZONTAL ARM PIN	DREHZAPFEN
22	3000079	RONDELLA D.51X16X8	RONDELLE D.51x16x8	WASHER D.51x16x8	SCHIBE D.51x16x8
23	4399963	DADO AUTOBL.M16 BASSO.6S. 7474	ECROU A' BLOCAGE AUTOM. M16	SELF-LOCKING NUT M16	SELBSTSICHERNDE MUTTER M16
24	8012737	PALO VERTICALE	BRAS VERTICAL	VERTICAL ARM RACING	VERTIKALSTANGE
25	4399948	VITE TE 14x80 8.8 P.F. 5737	VIS	SCREW 14x80 8.8	SCHRAUBE 14x80 8.8
26	4398807	RONDELLA 14 (15x28x2,5)ZNT6592	RONDELLE 14 (15x28x2,5)	WASHER 14 (15x28x2,5)	SCHIBE 14 (15x28x2,5)
27	4399962	RASAMENTO ACCIAIO 65X40X0,5	ENTRETOISE 65x40x0,5	SHIM ADJUSTMENT 65x40x0,5	AUSGLEICHRING 65x40x0,5

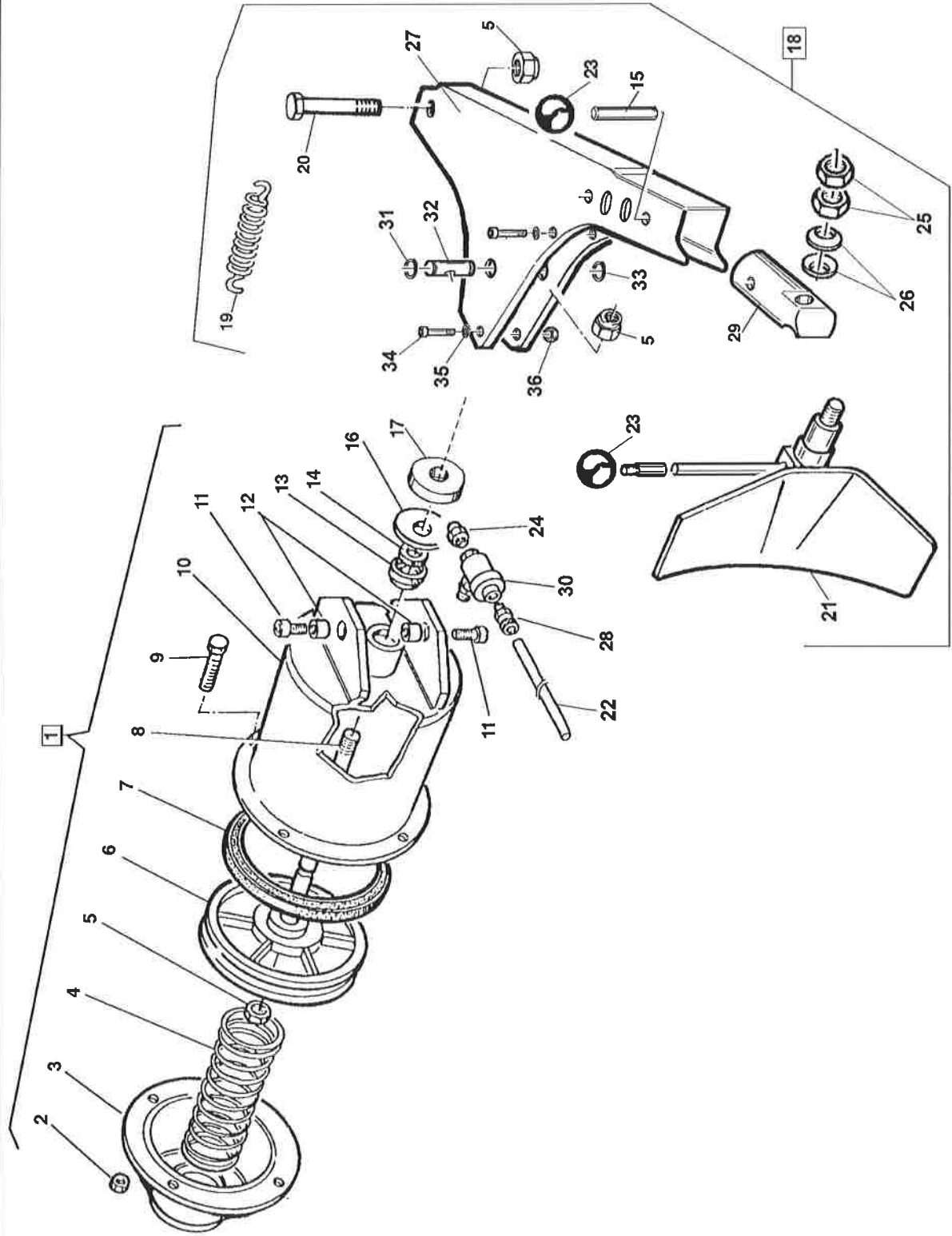
da DICEMBRE 2005



1	3005604	DECALCO BOLLINO PE 27552 BSO	DECALCOMANIE		ABZIEHBILD
2	4399892	VITE TE 6x20 8.8 5739	VIS M6x20 - 8.8		SCHRAUBE M6x20 - 8.8
3	4398848	RONDELLA 6 (6,6x18x1,5)/ZNT6593	RONDELLE 6 (6,6x18x1,5)		SCHEIBE 6 (6,6x18x1,5)
4	2006557	CAVETTO TERRA SMTG AUTO CSA	CABLE DE TERRE		MASSEKABEL
5	3002445	STAFFA SUPPORTO INVERT.-ZNT	ETRIER DE SUPPORT		WECHSLERSTUETZE
6	4399905	VITE TE 4x12 8.8 5739	VIS M4x12 - 8.8		SCHRAUBE M4x12 8.8
7	4399996	DADO M 4 6S ALTO ZNT 5587	ECROU M4 6S		MUTTER M4 6S
8	4399045	ROND. DEN.ES.IN. 3,2x12x0,5	RONDELLE 3,2x12x0,5		ZAHNSCHEIBE 3,2x12x0,5
9	3000142	MOLLA COMANDO PEDALE	RESSORT COMMANDE PEDALE		FEDER
10	3002447	BIELLA COM.INVERT.SAGOM.-ZNT	BIELLE		PLEUELSTANGE
11	3000175	LEVA INVERTITORE	LEVIER D'INVERSEUR		WECHSLERHEBEL
12	4399893	DADO AUTOBL.M 6 BASSO.6S. 7474	ECROU A BLOCAGE AUTOM. M6		SELBSTSICHERNDE MUTTER M6
13	4398273	VITE AUTOF. TCEI 5,5x19	VIS AUTOTARADEUSE TCEI 5,5x19		BLECHSCHRAUBE 5,5x19
14	4399044	VITE TCEI M 3x12 12.9 5931	VIS 3x12 12,9		SCHRAUBE 3x12 12.9
15	4399864	ANELLO SEEGER E D.12 7435	BAGUE SEEGER D.12		SEEGER-RING D.12
16	4399998	RONDELLA 6 (6,4x12x1,6)/ZNT6592	RONDELLE 6 (6,4x12x1,6)		SCHEIBE 6 (6,4x12x1,6)
17	4599986	BLOCCAPASSAC.RETT.D.9 SB7 R/3	ARRET DE PASSE-CABLE D.9		KABELDURCHGANG/SPERRE D.9
18	2018111	GR. CAVO INVERT./MOTORE 1PH CSA	CABLE INVERS./MOTEUR 1PH		1PH WENDER/MOTOR KABEL
19	3000174	PROTEZIONE INVERTITORE GRANDE	PROTECTION INVERSEUR		WECHSLERSCHUTZ
20	2015433	GR.RIC.INV.NEW 32A	INVERSEUR 32A		WENDER 32A
21	4596081	SPINA + CAVO CSA-UL 15A 125V	FICHE + CABLE CSA-UL 15A 125V P620		STECKER + KABEL CSA-UL 15A 125V P620
22	2015468	GR.RIC.INV.1PH 25A NEW CAVO+SPINA	GR.REMPL.INV.1PH 25A NEW CABLE+FICHE		UMSCHALTERERSATZKIT 1PH 25A NEW KABEL
23	2002356	PEDALIERA SEMIAUT. D.8 LEGA	PEDALIER		PEDALEINHEIT
24	3006773	MOLLA RICH.PEDALE D.15x108x2,2	RESSORT RAPPELLE-PEDALE 14x110		PEDALRUECKZUGFEDER 15x108x2,2
25	3002161	BASAMENTO PEDALIERA	BASE DU PEDALIER		PEDALSITZ
26	3002159	PEDALE COM. AUTOC./STALL. ALL.	PEDALE DE COMMANDE		ZENTRIERTISCHPEDAL
27	3003094	PERNO ALLINEAMENTO PED.L.278,5	AXE ALIGNEM. PEDALES L=280		STIFT L=278,5
28	2002529	GR.VALVOLA AUTOC.SEMIAUT.LINEA	SOUPAPE		VENTIL
29	4398999	VITE AUTOF. TCIC 3,5x13 6954	VIS AUTOTARADEUSE 3,5x13		BLECHSCHRAUBE 3,5x13
30	3001585	FLANGIA X VALVOLA 3001583	BRIDE POUR SOUPAPE 3001583		FLANSCH
31	4299000	ANELLO OR 9,8x3,85	JOINT OR 9,8x3,85		O-RING 9,8x3,85
32	3002442	PERNO X VALVOLA GRIFFE/RIBALT.	AXE		STIFT
33	3001584	DISTANZIALE X VALVOLA 3001583	ENTRETOISE		ABSTANDSSTUECK
34	4397649	VITE TE 6x50 8.8 PF ZNT 5737	VIS TE 6x50 8.8		SCHRAUBE 6x50 8.8
35	3001583	ALVOLA DISTRIB.-SENZA CHIAVET	SOUPAPE DISTRIBUTION		VENTIL
36	4199843	REGOL.SCAR.SILENZ.SVE 1/8"	REGLAGE SILENCIEUX 1/8"		ABLASSAUSTEILER 1/8"

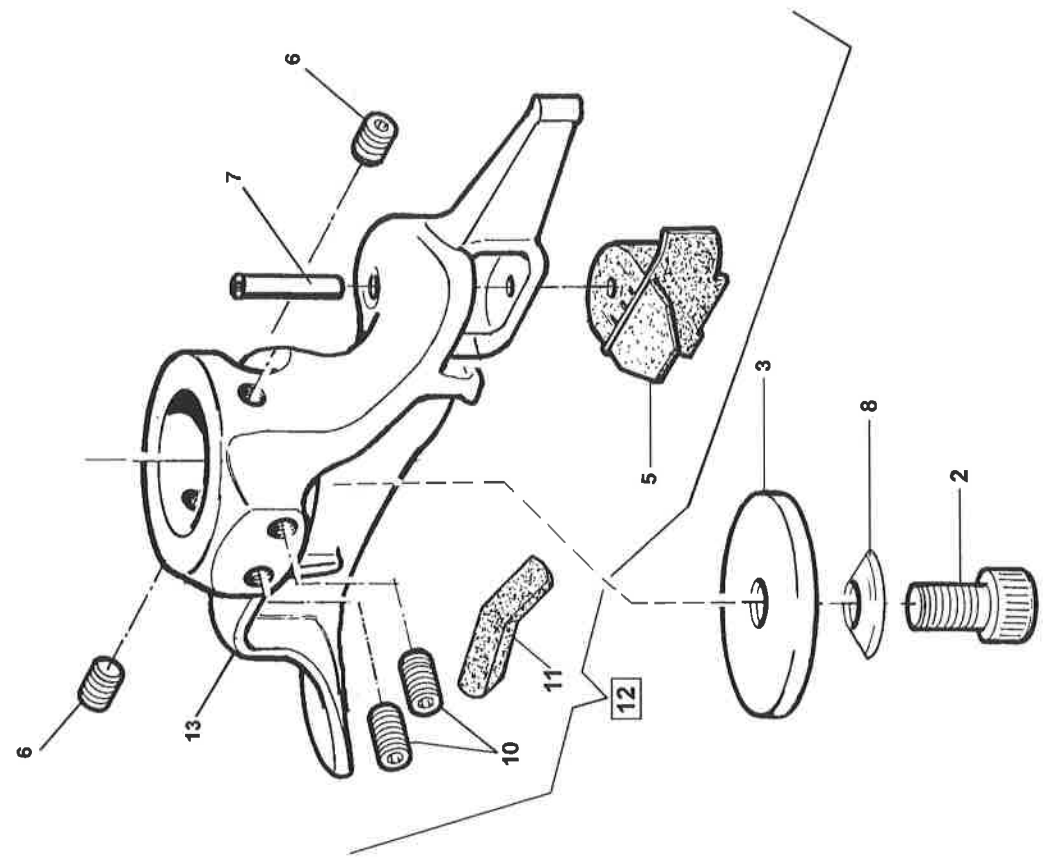
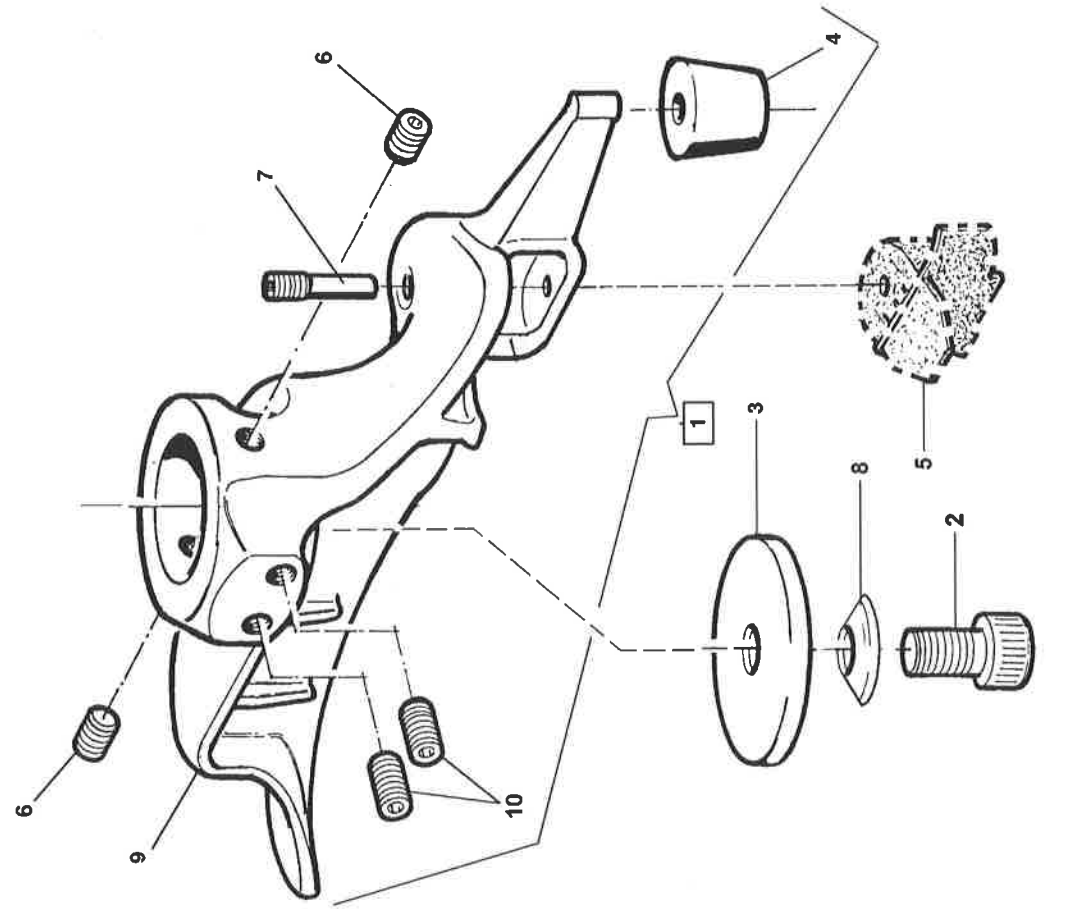
37	4198954	RACCORDO 6510 1/8"-8 S.RAPIDO	RACCORD RAPIDE 6510 1/8"-8	QUICK UNION 6510 1/8"-8	SCHNELLANSCHLUSS 6510 1/8"-8
38	4198990	RACCORDO 6500 1/8"-8 S.RAPIDO	RACCORD RAPIDE 6500 1/8"-8	QUICK UNION 6500 1/8"-8	SCHNELLANSCHLUSS 6500 1/8"-8
39	3002446	TUBO RILSAN D. 8X6 L=100	TUYAU RILSAN D.8/6 L=100	RILSAN HOSE D.8/6 L=100	SCHLAUCH D.8x6 L=100
40	3099335	TUBO RILSAN D. 8X6 L=750	TUYAU RILSAN D.8x6 L=740	RILSAN HOSE D.8x6 L=750	SCHLAUCH D.8x6 L=750
41	2002528	GR.VALVOLA STALL.IN LINEA	SOUPAPE	VALVE UNIT	VENTIL
42	4398783	SPINA ELASTICA D.4x24 6874	GOUPILLE D.4x24	SPRING PIN D.4x24	FEDERSTIFT D.4x24
43	3002443	PERNO X VALVOLA PEDALE STALL.	AXE	PIN	STIFT
44	2002444	GR.VALVOLA LINEA SENZA PERNO	GROUPE SOUPAPE SANS GOUJON	VALVE UNIT WITHOUT PIN	VENTIL
45	4198778	RACCORDO 6410 1/8"-8 S.RAPIDO	RACCORD 6410 1/8" - 8	UNION 6410 1/8" - 8	ANSCHLUSS 6410 1/8" - 8
46	4198993	RACCORDO 6510 1/8"-6 S.RAPIDO	RACCORD 6510 1/8"-6 RAPIDE	QUICK UNION 1/8"-6	SCHNELLANSCHLUSS 1/8"-6
47	3001342	TUBO RILSAN D. 8X6 L=1000	TUYAU RILSAN D.8x6 L=1000	RILSAN HOSE D.8x6 L=1000	SCHLAUCH 8x6 L=1000
48	3000143	TUBO RILSAN 6X4 L=480	TUYAU RILSAN D.6x4 L=480	RILSAN HOSE D.6x4 L=480	SCHLAUCH 6x4 L=480
49	4399900	DADO AUTOBL.M 8 BASSO 6.S 7474	ECROU A' BLOCCAGE AUTOMAT.	SELF-LOCKING NUT M8	SELBSTSICHERNDE MUTTER M8
50	4399894	MOLLA TAZZA 8,2X18X1 2093	RESSORT 8,2x18x1	BELLEVILLE WASHER 8,2x18x1	FEDER 8,2x18x1
51	4398274	VITE AUTOF. TCEI 5,5x26	VIS AUTOTARADEUSE 5,5x26	SELF-TAPPING SCREW 5,5x26	BLECHSCHRAUBE 5,5x26
52	4398848	RONDELLA 6 (6,6x18x1,5)ZNT6593	RONDELLE 6 (6,6x18x1,5)	WASHER 6 (6,6x18x1,5)	SCHEIBE 6 (6,6x18x1,5)
53	4299912	BIELLA PER CAMME	BIELLE	CONNECTING ROD	PLEUELSTANGE
54	4399891	VITE AUTOF.TC+ 2,9x6,5 ZNT	VIS AUTOTARADEUSE 2,9x6,5	SELF-TAPPING SCREW 2,9x6,5	BLECHSCHRAUBE 2,9x6,5
55	4299910	CAVALLOTTO GUIDA BIELLA	GUIDE-BIELLE	CONNECTING ROD GUIDE	PLEUELSTANGENFUHRUNG
56	4299913	CAMMA DOPPIA	CAME	DOUBLE CAM	DOPPELKAMM
57	4299911	BALESTRA A FORCELLA	RESSORT A LAME	FORKED LEAF SPRING	GABELFEDER
58	4399889	DADO M 6 6S ZNT 5588	ECROU M6	NUT M6	MUTTER M6
59	3002157	PEDALE COM.INVERT. ALL.	PEDALE	REVERSER CONTROL PEDAL	WECHSLERPEDAL
60	3007953	BOCCOLA D.18x12,5x21 PED.INV.	DOUILLE D.18X12,5X21	BUSH D.18x12,5x21	BUECHSE D.18X12,5X21
61	4399903	RONDELLA 4 (4,5x12x1,5)ZNT6593	RONDELLE 4 (4,5x12x1,5)	WASHER 4 (4,5x12x1,5)	SCHEIBE 4 (4,5x12x1,5)
62	4399889	DADO M 6 6S ZNT 5588	ECROU M6	NUT M6	MUTTER M6
63	4399122	ROND. DEN.ES."A" 8,4x15x0,8	RONDELLE D.8	TOOTHED WASHER 8,4x15x0,8	ZAHNSCHEIBE 8,4x15x0,8
64	4399998	RONDELLA 6 (6,4x12x1,6)ZNT6592	RONDELLE 6 (6,4x12x1,6)	WASHER 6 (6,4x12x1,6)	SCHEIBE 6 (6,4x12x1,6)
65	3015340	SUPPORTO INVERTITORE	SUPPORT INVERSEUR	REVERSER SUPPORT	UMSCHALTERTRAEGER
66	4398723	VITE TE 6x12	VIS 6x12	SCREW 6x12	SCHRAUBE 6x12
67	4398999	VITE AUTOF.TCIC 3,5x13	VIS AUTOTARADEUSE 3,5x13	SELF-TAPPING SCREW 3,5x13	BLECHSCHRAUBE 3,5x13
68	4395185	VITE AUTOF.TCIC 3,5x6,5	VIS AUTOTARADEUSE 3,5x6,5	SELF-THREADING SCREW 3,5x6,5	SELBSTSCHNEIDENDE SCHRAUBE 3,5x6,5
69	3015342	STAFFA SUPPORTO INVERT.-ZNT	ETRIER DE SUPPORT	SUPPORT	WECHSLERSTUETZE
70	4595380	INVERTITORE 32 A	INVERSEUR	REVERSER	WECHSLERSCHUTZ
71	3015345	PROTEZIONE INVERTITORE	PROTECTION INVERSEUR	REVERSER COVER	WECHSLERSCHUTZ
72	2015455	GR.INVERT.1PH 25A NEW CAVO+SPINA	GR. INVERSEUR 1PH 25A NEW	REVERSER UNIT 1PH 25A NEW	WENDER 1PH 25A NEW

STALLONATORE - DECOLLE-TALONS
BEAD BREAKER - WULSTABDÜCKVORRICHTUNG



STALLONATORE - DECOLLE-TALONS
BEAD BREAKER - WULSTABDÜCKVORRICHTUNG

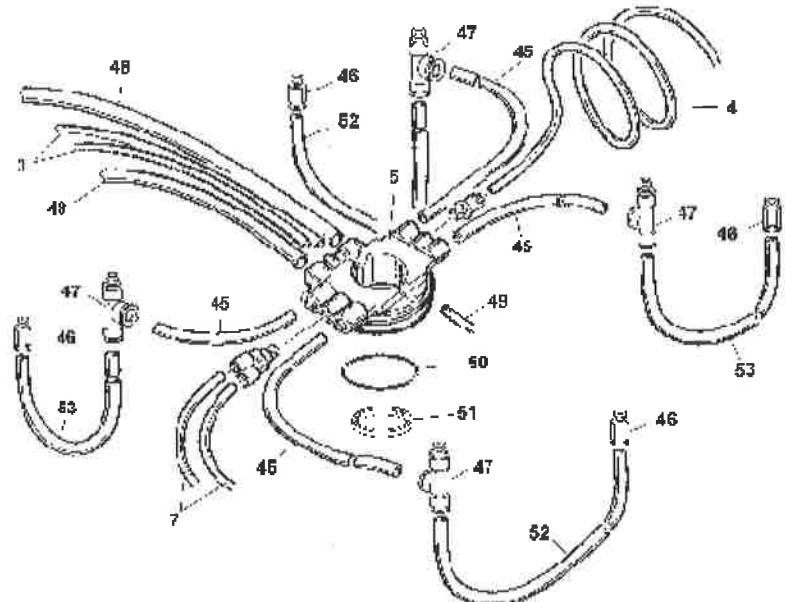
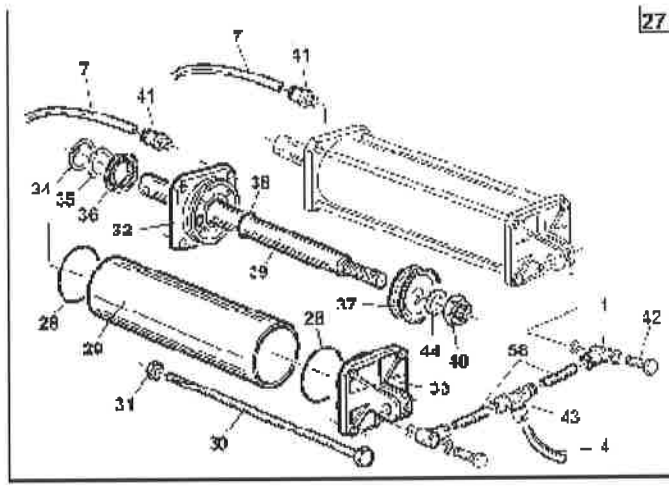
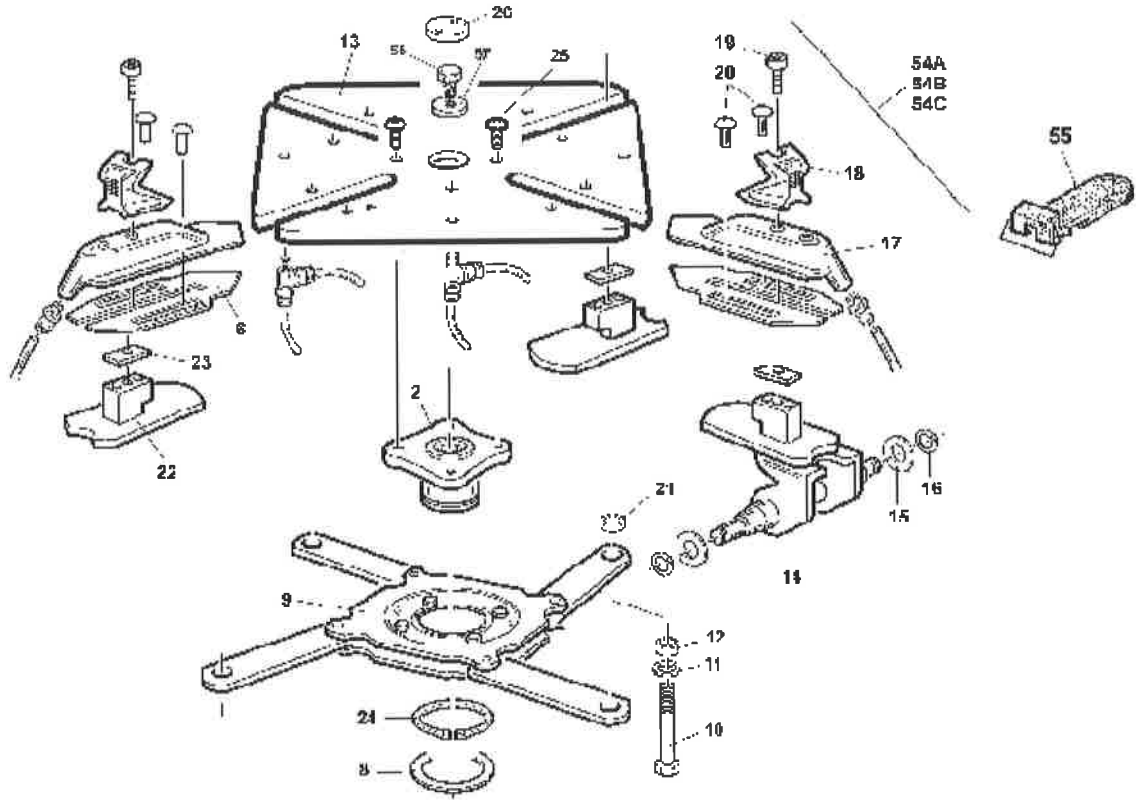
1	2012090	GR.CILINDRO STALLONATORE	CYLINDRE DECOLLEUR	BEAD BREAKER CYLINDER	ZYLINDER
2	4399976	DADO M 8 6S ZNT 5588	ECROU M8	NUT M8	MUTTER M8
3	3000125	FONDELLO CILINDRO STALLONATORE	CULOT CYLINDRE DECOLLEUR	CYLINDER BASE	ZYLINDERENDSCHEIBE
4	3000124	MOLLA CILINDRO STALLONATORE	RESSORT	SPRING	FEDER
5	4399963	DADO AUTOBL.M16 BASSO.6S. 7474	ECROU A' BLOCAGE AUTOM. M16	SELF-LOCKING NUT M16	SELBSTSICHERNDE MUTTER M16
6	3000122	PISTONE CILINDRO STALLONATORE	PISTON	PISTON	ZYLINDERKOLBEN
7	4299937	ANELLO TENUTA DE 725	JOINT A LEVRE	GROMMET	DICHTUNGSRING
8	3012091	ASTA PIST.STALL. D.16 L=465	TIGE DE PISTON D.16 L=465	PISTON SHAFT D.16 L=465	KOLBENSTANGE D.16 L=465
9	4399946	VITE TE 8x16 8.8 5739	VIS M8x16 8.8	SCREW M8x16 8.8	SCHRAUBE M8x16 8.8
10	2012817	CILINDRO STALL. C. D.16 STND	CYLINDRE DECOLLEUR	BEAD BREAKER CYLINDER	ZYLINDER D.16
11	4399943	VITE TCEI M12x35 12.9 5931	VIS M12x35 12.9	SCREW M12x35 12.9	SCHRAUBE M12x35 12.9
12	3000117	BOCCOLA PER CILINDRO STALL.	DOUILLE	BUSH	BUECHSE
13	4296391	ANELLO GUIDA WRI 16	BAGUE DE GUIDAGE	GUIDE RING	FUEHRUNGSRING
14	4296390	ANELLO RASCH.BID. NSW 16-26-5	SEGMENT RACLEUR	SCRAPER	KRATZSCHEIBE
15	3013838	PERNO POSIZIONATORE SFILO SNODO	GOUJON	PIN	STIFT
16	3002117	AMMORTIZZ. D.17x63x12 POLIURET	AMORTISSEUR D.17x63x12	SHOCK ABSORBER 17x63x12	STOSSDAEMPFER 17x63x12
17	3002832	SEDE AMMORTIZ.STALL.-NICHELAT.	LOGEMENT AMORTISSEUR DETALLON.	SHOCK-ABSORBER BASE	STOSSDAEMPFERSTZ
18	2013890	GR.BRACCIO ST.-PALETTA	GR.BRAS DECOLL. + PALETTE	BEAD BREAKING ARM + BLADE	WULSTABDRUECKKARM+SCHAUFEL
19	3000114	MOLLA BRACCIO STALLONATORE	RESSORT BRAS DECOLLEUR	BEAD BREAKER SPRING	FEDER
20	4399945	VITE TE 16x100 8.8 P.F. 5737	VIS M16x100 8.8	SCREW 16x100 8.8	SCHRAUBE M16x100 8.8
21	2112275	PALETTA STALLONATORE	PALETTE DETALLONAGE	BEAD BREAKING BLADE	WULSTABDRUECKKSCHAUFEL
22	3000143	TUBO RIL-SAN 6X4 L=480	TUYAU RILSAN D.6x4 L=480	RILSAN HOSE D.6x4 L=480	SCHLAUCH 6x4 L=480
23	4299952	POMOLO D.14	POIGNEE D.14	KNOB D.14	KUGELGRIFF D.14
24	4198808	SILENZIATORE 1/4" SPEC. D.24	ATTENUATEUR DE BRUIT 1/4"	SILENCER 1/4"	SCHALLDAEMPFER 1/4"
25	4396941	DADO M14 6S BASSO	ECROU M14	NUT M14	MUTTER M14 TRIBLOK
26	4398899	MOLLA TAZZA 14.3x34x1.5	RESSORT 14.3x34x1.5	BELLEVILLE WASHER 14.3x34x1.5	FEDER 14.3x34x1.5
27	6613868	BRACCIO STALL. MAXI	BRAS DETALLONNEUR MAXI	BEAD BREAKING ARM	WULSTABDRUECKKARM
28	4198993	RACCORDO 6510 1/8"-6 S.RAPIDO	RACCORD 6510 1/8"-6 RAPIDE	QUICK UNION 1/8"-6	SCHNELLANSCHLUSS 1/8"-6
29	3013865	PERNO SNODO PALETTA-BRUNITO	GOUJON	PIN	DREHZAPFEN
30	4199671	VALVOLA SCARICO RAPIDO DA 1/4"	SOUPAPE DECHARGE RAPIDE 1/4"	DUMP VALVE	SCHNELLABLASSVENTIL 1/4"
31	4399979	ANELLO SEEGER E D.30 7435	BAGUE SEEGER D.30	SEEGER RING D.30	SEEGER RING D.30
32	3000113	PERNO SFILABILE SNODO PALETTA	PIVOT	TRUNNION	DREHZAPFEN D.16
33	4399975	ANELLO SEEGER E D.20 7435	BAGUE SEEGER D.20	SEEGER RING D.20	SEEGER RING D.20
34	4398878	VITE TCEIM 8x70 8.8 5931	VIS 8x70	SCREW 8x70	SCHRAUBE 8x70
35	4399829	RONDELLA 8 (8.4x16x1.5)ZNT6592	RONDELLE 8 (8.4x16x1.5)	WASHER 8 (8.4x16x1.5)	BEILAGSSCHEIBE 8 (8.4x16x1.5)
36	4399900	DADO AUTOBL.M 8 BASSO 6.S 7474	ECROU DE VERROUILLAGE M8	SELF-LOCKING NUT M8	SELBSTSICHERNDE MUTTER M8



**UTENSILI INTEGRALI - MOUNTING TOOLS
OUTILS DE MONTAGE - MONTIERWERKZEUGE**

1	2002215	TORRETTA INTEGR. ORIENT. COMPL.	SWINGING MOUNTING HEAD	TETE DE MONTAGE	MONTIERWERKZEUG
2	4399953	VITE TE 10x16 8.8 5739	SCREW M10x16 8.8	VIS M10x16 8.8	SCHRAUBE M10x16 8.8
3	4395804	RONDELLA DIN6319 "C" 14,2x35x5	WASHER DIN6319 "C" 14,2x35x5	RONDELLE DIN6319 "C" 14,2x35x5	BEILAGSSSCHEIBE DIN6319 "C" 14,2x35x5
4	3000215	RULLINO PER UNGHIA	PEAK ROLL	GALET	ROLLE
5	3006689	INSERTO PLAST. X TORR. INTEGR.	PLASTIC INSERT	INSERT EN PLASTIQUE	PLASTIKEINSATZSTUECK
6	4395806	VITE STEI 10x12 P.COPPA 5927	SCREW STEI M10x12	VIS STEI M10x12	SCHRAUBE STEI M10x12
7	3009018	PERNO SPEC.D.5 M6 L=26	SPECIAL PIN D.5 M6 L=26	AXE SPECIAL D.5 M6 L=26	SONDERSTIFT D.5 M6 L=26
8	4395805	RONDELLA DIN6319 "C" 10,2x21x4	WASHER DIN6319 "C" 10,2x21x4	RONDELLE DIN6319 "C" 10,2x21x4	BEILAGSSSCHEIBE DIN6319 "C" 10,2x21x4
9	3002214	UTENSILE INT. ORIENT. -ZNT B.	SWINGING TOOL	OUTIL PIVOTANT	SCHWENKWERKZEUG
10	4398849	VITE STEI 10x16 P.P.	SCREW 10x16	VIS 10x16	SCHRAUBE 10x16
11	3013650	INSERTO INFER. X TORR. INTEGR.	PLASTIC INSERT	INSERT EN PLASTIQUE	KUNSTSTOFFEINSATZSTUECK
12	2014250	TORRETTA INTEGR. OR. STRONG COMPL.	MOUNTING TOOL	OUTIL DE MONTAGE	MONTIERWERKZEUG
13	3015133	UTENSILE INT. OR. STRONG-ZNT B.	SHORT MOUNTING TOOL	OUTIL DE MONTAGE	MONTIERWERKZEUG

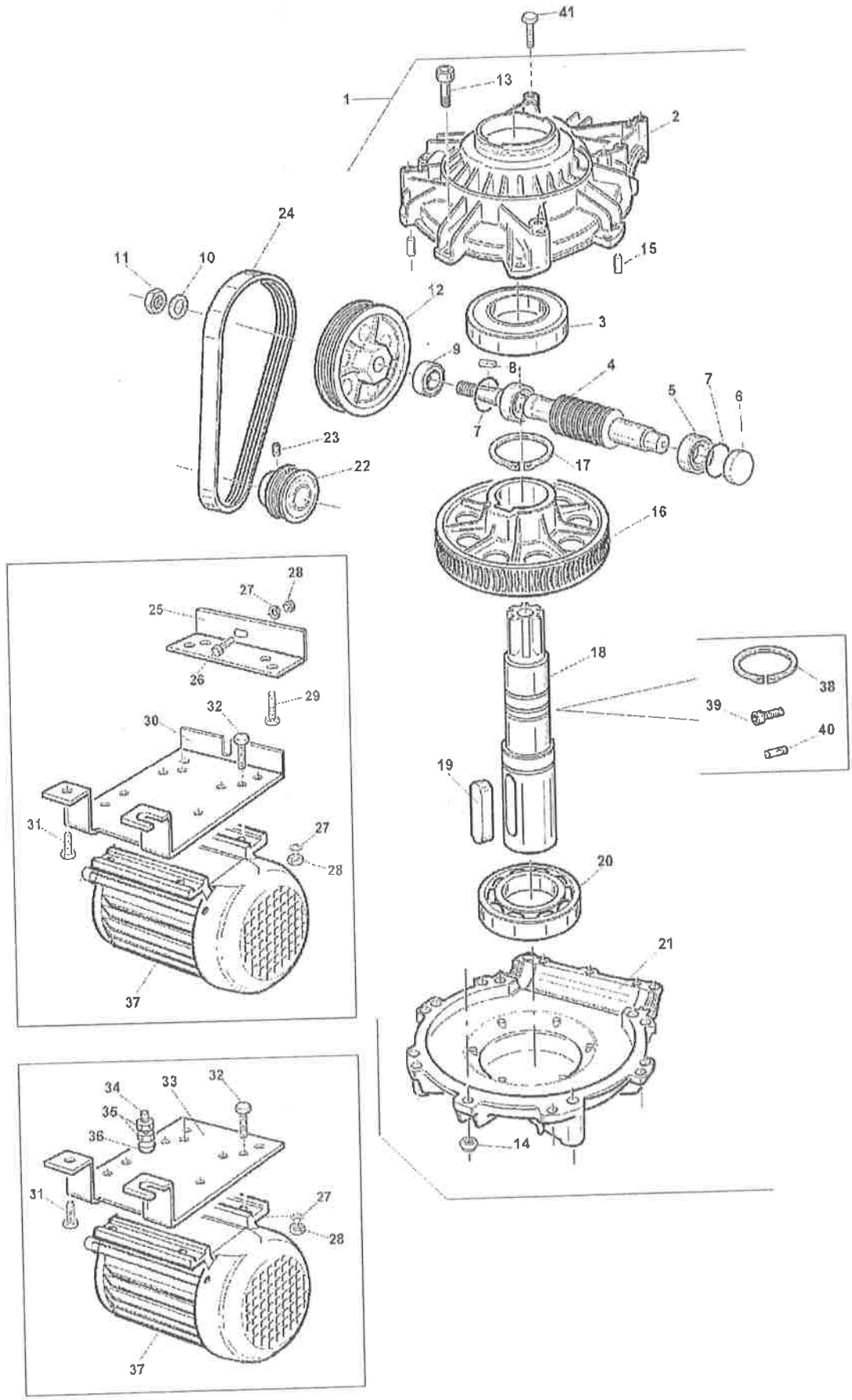
AUTOCENTRANTE 12"-22" GT - AUTOCENTREUR 12"-22" GT
SELF-CENTERING TURNTABLE 12"-22" GT - SELBSTZENTRIERPLATTE 12"-22" GT



1	4197819	RACCORDO 6610 1/8" 8/6 S.RAP.	QUICK UNION 1/8" 8-6	RACCORD RAPIDE 1/8" 8-6	SCHNELLANSCHLUSS 1/8" 8-6
2	3015088	MOZZO AUTOC. 4C ALU	HUB	MOYEU	NABE
3	3099335	TUBO ELASTOLAN D. 8X6 L=750	HOSE 8x6 L=750	TUYAU 8x6 L=750	SCHLAUCH 8x6 L=750
4	3016820	SPIRALE RILSAN 8X6 L=560	RILSAN SPIRAL HOSE 8X6 L=560	TUYAU SPIRALE RILSAN 8X6 L=560	SPIRALENSCHLAUCH 8X6 L=560
5	4295066	RACCORDO GIREVOLE "Y" GT	ROTATING UNION "Y" GT	RACCORD PIVOTANT "Y" GT	DREHANSCHLUSS "Y" GT
6	3016055	PIASTRINA AUTOC. 20"	PLATE FOR TURNTABLE 20"	PLAQUE POUR PLAT. CENTR. 20"	PLATTE FUER ZENTRIERTISCH 20"
7	3000870	TUBO ELASTOLAN D. 8X6 L=240	HOSE 8x6 L=240	TUYAU 8x6 L=240	SCHLAUCH 8x6 L=240
8	4395447	ANELLO SEEGER EST. D.85	SEEGER RING D.85	JOINT SEEGER D.85	SEEGER RING D.85
9	2016026	FLANGIA X AUTOC. MOZZO ALL.	FLANGE	BRIDE	FLANSCH
10	4398838	VITE TE 12x1,25x45 8.8 PF	SCREW 12x1,25x45	VIS 12x1,25x45	SCHRAUBE 12x1,25x45
11	4398637	RONDELLA 12x21x2,5	WASHER D.12x21x2,5	RONDELLE D.12x21x2,5	BEILAGSSSCHEIBE D.12x21x2,5
12	3006880	DISTANZIALE BIELLA UNIF.12x18x9	SPACER	ENTRETOISE	DISTANZSTUECK
13	3016076	PIATTO AUTOC. 2C OTT. 20"-sp14-ZNT	TURNTABLE 20"	PLATEAU CENTREUR 20"	ZENTRIERTISCH 20"
14	2112879	GUIDA SCOR.PERNO 22"UNIF.	PIN SLIDING GUIDE 22"	GUIDAGE COULISSANTE AXE 22"	GLEITFUHRUNG 22"
15	4399981	RONDELLA 12 (13x24x2,5)	WASHER 12 (13x24x2,5)	RONDELLE 12 (13x24x2,5)	BEILAGSSSCHEIBE 12 (13x24x2,5)
16	4399864	ANELLO SEEGER E D.12	SEEGER RING D.12	BAGUE SEEGER D.12	SEEGER-RING D.12
17	2107387	SCORREVOLE GT UNIF.-ZNT B.	GT SLIDE	PATIN GT	GT SCHLITTEN
18	3002297	GRIFFA BLOCCAGGIO MAGGIORATA	CLAMP	MORS	SPANNKLAUE
19	4398037	VITE TCEI M10x1,25x25	SCREW 10x1,25x25	VIS 10x1,25x25	SCHRAUBE 10x1,25x25
20	3015269	PERNO GUIDA SCORREV.D.9	PIN	AXE	STIFT
21	3006879	DISTANZIALE AUTOC. UNIF.	SPACER	ENTRETOISE	DISTANZSTUECK
22	2112878	GUIDA SCORR.22" UNIF.-ZNT VERDE	SLIDING GUIDE 22"	GUIDAGE COULISSANT 22"	GLEITFUHRUNG 22"
23	3006877	SPESSORE SCORR.UNIF. 3.5-BRUN.	SHIM	CALE	DISTANZSTUECK
24	3015864	ANELLO PER MOZZO ZNT. VERDE	RING	BAGUE	RING
25	4395235	VITE TBEI 12x25 10.9 UBK	SCREW TBEI 12x25 10.9 UBK	VIS TBEI 12x25 10.9 UBK	SCHRAUBE TBEI 12x25 10.9 UBK
26	3000062	PROTEZIONE CENTRALE PIATTO	PROTECTION	PROTECTION	SCHUTZ
27	2008060	GR.CILINDRO AUT.20" INT.	20" TURNTABLE CYLINDER	VERIN CENTREUR 20"	20" ZENTRIERTISCHZYLINDER
28	4298822	ANELLO OR 842 D.68,26x3,53	O-RING D.68,26x3,53	JOINT OR D.68,26x3,53	O-RING D.68,26x3,53
29	3008042	CAMICIA CIL. 20" L=345	CYLINDER LINER 20" L=345	CHEMISE VERIN 20" L=345	ZYLINDERMANTEL 20" L=345
30	3007941	VITE SPECIALE TE M8x369	SPECIAL SCREW M8x369	VIS SPECIALE 8x369	SONDERSCHRAUBE M8x369

31	4397678	DADO FLANGIATO M8	FLANGED NUT M8	ECROU BORDE" M8	FLANSCHMUTTER M8
32	3015024	FLANGIA ANTER.D.75-PRF	FLANGE	BRIDE	FLANSCH
33	3015023	FLANGIA POSTER.D.75-PRF	FLANGE	BRIDE	FLANSCH
34	3199599	ANELLO SEEGER I D.30 JV	SEEGER RING D.30	BAGUE SEEGER D.30	SEEGER-RING D.30
35	4398146	RASAMENTO 24x30x1	STEEL SHIM 24x30x1	CALE EN ACIER 24x30x1	STAHLZWISCHENLAGE 24x30x1
36	3199601	ANELLO RASCH.BID.L7 NSW 20 30 6/CO	SCRAPER	SEGMENT RACLEUR	KRATZSCHEIBE
37	4198856	PISTONE MONOBLOCCO TDUOP D.75	PISTON D.75	PISTON D.75	KOLBEN D.75
38	4299168	ANELLO OR 3081 D.20,29x2,62	O-RING 20,29x2,62	JOINT OR D.20,29x2,62	O-RING 20,29x2,62
39	3002901	ASTA CILINDRO AUT.20" L=400	CYLINDER ROD 20" L=400	TIGE VERIN 20" L=400	ZYLINDERSTANGE 20" L=400
40	4399865	DADO AUTOBL.M12 BASSO.6S.	SELF-LOCKING NUT M12	ECROU DE VERROUILLAGE M12	SELBSTSICHERNDE MUTTER M12
41	4198954	RACCORDO 6512 1/8"-8 S.R.	QUICK UNION 1/8"	RACCORD RAPIDE 1/8"	SCHNELLANSCHLUSS 1/8"
42	4199929	RACCORDO 1631-01 1/8"	UNION 1/8"	RACCORD 1/8"	ANSCHLUSS 1/8"
43	4198978	RACCORDO 6540 8	UNION	RACCORD	ANSCHLUSS
44	4398753	RONDELLA 12,5x30x3	WASHER D.12,5x30x3	RONDELLE D.12,5x30x3	BEILAGSSCHEIBE D.12,5x30x3
45	3006477	TUBO POLIUR.10X6,5 L=335	POLYURETHAN HOSE 10x6,5 L=335	TUYAU 10x6,5 L=335	SCHLAUCH 10x6,5 L=335
46	4198035	RACCORDO DRIITTO 1/4"-10 A.112	UNION 1/4"	RACCORD 1/4"	ANSCHLUSS 1/4"
47	4197207	RACCORDO "T" 1/8"-10/8 A.112	UNION TEE 1/8" 10-8	RACCORD EN T 1/8" 10-8	T-VERSCHRAUBUNG 1/8" 10-8
48	3002109	TUBO RILSAN 14X11 L=1070	RILSAN HOSE 14x11 L=1070	TUYAU RILSAN 14x11 L=1070	SCHLAUCH 14x11 L=1070
49	3001996	VITE X RACC.GIREV.TUBL.	SCREW	VIS	SCHRAUBE
50	4297520	ANELLO OR 153 D.49,21X3,53	O-RING 153 D.49,21x3,53	JOINT OR 153 D.49,21X3,53	O-RING 153 D.49,21X3,53
51	3008646	DISTANZ. X OR GT (D.55 x 1,5)	O-RING SPACER (D.55x1,5)	ENTRETOISE	DISTANZSTUECK
52	3006479	TUBO POLIUR.10X6,5 L=430	POLYURETHAN HOSE 10x6,5 L=430	TUYAU 10x6,5 L=430	SCHLAUCH 10x6,5 L=430
53	3006478	TUBO POLIUR.10X6,5 L=310	POLYURETHAN HOSE 10x6,5 L=310	TUYAU 10x6,5 L=310	SCHLAUCH 10x6,5 L=310
54A	2016346	AUTOC. 2C OTTAG. 10-20"GT SP14	TURNTABLE 20" GT	PLATEAU CENTREUR 20" GT	ZENTRIERTISCH 20" GT
54B	2016792	AUTOC. 2C OTTAG. 11-21"GT SP14	TURNTABLE 21" GT	PLATEAU CENTREUR 21" GT	ZENTRIERTISCH 21" GT
54C	2016794	AUTOC. 2C OTTAG. 12-22"GT SP14	TURNTABLE 22" GT	PLATEAU CENTREUR 22" GT	ZENTRIERTISCH 22" GT
55	2006393	PROTEZ.INTEGRALE GRIFFA COMPL.	CLAMP COVER	PROTECTION MORS	KLAUENSCHUTZ
56	4395179	VITE TE 16x1,5x45 8.8	SCREW 16x1,5x45 8.8	VIS 16x1,5x45 8.8	SCHRAUBE 16x1,5x45 8.8
57	4395014	RONDELLA 17X30X3 UNI 6592 R80	WASHER D.17X30X3	RONDELLE D.17X30X3	BEILAGSSCHEIBE D.17X30X3
58	3016819	TUBO ELASTOLAN 8X6 L=75	ELASTOLAN HOSE 8X6 L=75	TUYAU ELASTOLAN 8X6 L=75	ELASTOLAN SCHLAUCH 8X6 L=75

GRUPPO MOTORE-RIDUTTORE - GROUPE MOTEUR-REDUCTEUR
MOTOR-REDUCTION GEAR GROUP - MOTOR-VERMINDERER GRUPPE



ed. 07/2007

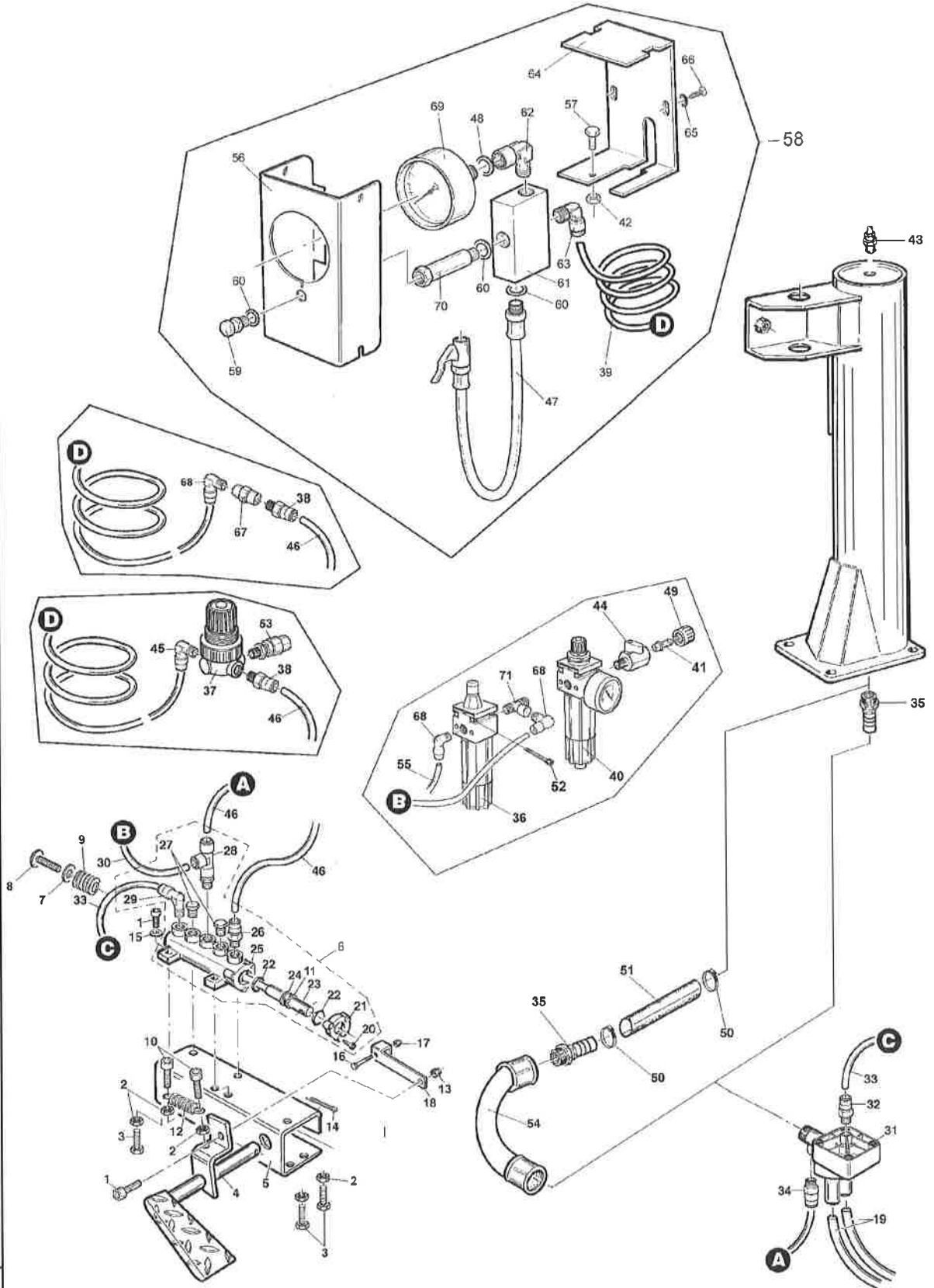
**GRUPPO MOTORE-RIDUTTORE - GROUPE MOTEUR-REDUCTEUR
MOTOR-REDUCTION GEAR GROUP - MOTOR-VERMINDERER GRUPPE**

TAV. 7-1

Ref	Code	Descrizione	Description	Description	Beschreibung
1	2010900	GR. RIDUTT. SMTG AUTO COMPL.	REDUCTION GEAR UNIT	GROUPE REDUCTEUR	REDUKTORAGGREGAT
2	3010872	SCATOLA SUPER. RIDUTT.	REDUCTION GEAR BOX	BOITE REDUCTEUR	REDUKTORKASTEN
3	4296945	CUSCINETTO 6212 2RS 60x110x22	BEARING 60X110X22	COUSSINET 60X110X22	LAGER 60X110X22
4	3010883	VITE SENZA FINE RID.SMTG AUTO	WORM	VIS SANS FIN	SCHNECKE
5	4296944	CUSCINETTO RULLI CONICI 30204	BEARING	COUSSINET	LAGER
6	3010886	COPERCHIETTO TENUITA 35-8	SEALING CAP	BOUTON D'ETANCHEITE'	DICHTUNGSKAPPE
7	4296943	ANELLO OR 140 D.34,52x3,53	O-RING D.34,52x3,53	JOINT TORIQUE D.34,52X3,53	O-RING D.34,52X3,53
8	4396947	LINGUETTA 6x6x18 (A) 6604	TAB 6X6X18	PLAQUE 6X6X18	PLÄTTCHEN 6X6X18
9	4296942	ANELLO TENUITA 20x35x10	O-RING 20X35X10	JOINT TORIQUE 20X35X10	O-RING 20X35X10
10	4398807	RONDELLA 14 (15x28x2,5)ZNT6592	WASHER 14 (15x28x2,5)	RONDELLE 14 (15x28x2,5)	SCHEIBE 14 (15x28x2,5)
11	4396941	DADO M14 6S BASSO ZNT 5589	NUT M14	ECROU M14	MUTTER M14
12	3010863	PULEGGIA RIDUTT. SMTG AUTO	GEARBOX PULLEY	POULIE REDUCTEUR	REDUKTORSCHIEBE
13	4399134	VITE TCEI M 8x30 8.8 5931	SCREW TCEI 8x30 8.8	VIS M8x30 8.8	SCHRAUBE TCEI M 8X 30 8.8
14	4399900	DADO AUTOBL.M 8 BASSO 6.S 7474	SELF-LOCKING NUT M8	ECROU A' BLOCAGE AUTOMAT. M8	SELBSTSPERRENDE MUTTER M8
15	4396940	SPINA CIL.RETT. 8x20 6364A	PIN 8X20	AXE 8X20	STIFT 8X20
16	3010884	RUOTA ELICOIDALE RID.-FINITA	HELICAL GEAR	ROUE HELICOIDALE	SCHNECKENRAD
17	4396946	ANELLO SEEGER E D.60x3 7436	SEEGER RING D.60X3	JOINT SEEGER D.60X3	SEEGER RING D.60X3
18	3010885	PERNO PER RUOTA ELICOID.	HELICAL GEAR STUD	AXE POUR ROUE HELICOIDALE	SCHNECKENRADBOLZEN
19	4396948	LINGUETTA 16x10x70 (A) 6604	TAB 16X10X70	PLAQUE 16X10X70	PLÄTTCHEN 16X10X70
20	4296910	CUSCINETTO 6212 60x110x22	BEARING 60X110X22	COUSSINET 60X110X22	LAGER 60X110X22
21	3010873	SCATOLA INFERIORE RIDUTTORE	REDUCTION GEAR BOX	BOITE REDUCTEUR	REDUKTORKASTEN
22	3010864	PULEGGIA MOTORE SMTG AUTO	MOTOR PULLEY	POULIE MOTEUR	MOTORSCHIEBE
23	4399922	VITE STEI 8x14 P.CIL. 5925	SCREW 8x14	VIS 8x14	SCHRAUBE 8x14
24	4296813	CINGHIA PV 610 J6	FLAT BELT	COURROIE	RIEMEN

25	3011384	ANGOLARE TENDICINGHIA-ZNT B.	TENSION ANGLE BAR	TENDEUR DE COURROIE EN L	RIEMENSPANNWINKELLEISEN
26	4399946	VITE TE 8x16 8.8 5739	SCREW M8x16 8.8	VIS M8x16 8.8	SCHRAUBE M8x16 8.8
27	4399829	RONDELLA 8 (8,4x16x1,5)ZNT6592	WASHER 8 (8,4x16x1,5)	RONDELLE 8 (8,4X16X1,5)	SCHEIBE 8 (8,4x16x1,5)
28	4399976	DADO M 8 6S ZNT 5588	NUT M8	ECROU M8	MUTTER M8
29	4399824	VITE TE 10x14 8.8 5739	SCREW M10x14 8.8	VIS M10x14 8.8	SCHRAUBE M10x14 8.8
30	3011383	SUPP. MOTORE NUOVO RID.-ZNT B.	MOTOR SUPPORT	SUPPORT DE MOTEUR	MOTORLAGER
31	4399966	VITE TE 10x20 8.8 5739	SCREW M10x20 - 8.8	VIS 10x20 8.8	SCHRAUBE M10x20 8.8
32	4399935	VITE TE 8x25 8.8 5739	SCREW TE M8X25 8.8	VIS TE M8x25 8.8	SCHRAUBE TE M8x25 8.8
33	3000149	SUPP. MOTORE NUOVO RID.-ZNT B.	MOTOR SUPPORT	SUPPORT DE MOTEUR	MOTORLAGER
34	4399880	VITE TE 10x40 8.8	SCREW M10x40 - 8.8	VIS 10x40 8.8	SCHRAUBE M10x40 8.8
35	4399969	DADO M 10 6S	NUT M10	ECROU M10	MUTTER M10
36	3000164	PUNTALE PER TENDICINGHIA	BELT-STRETCHER SHOE	POINTEAU DE TENDEUR COURROIE	STUTZE f. RIEMENSPANNER
37	4599914	MOTORE 1PH - HP1,2 230V.50/60HZ	1PH MOTOR 1,2HP 230V 50/60HZ	MOTEUR 1PH 1,2HP 230V 50/60HZ	1PH MOTOR 1,2HP 230V 50/60HZ
37 A	4599924	MOTORE 3PH - 230/400V. 50 HZ	3 PHASE MOTOR 230/400 V. 50 HZ	MOTEUR 230/400 V 3 PH-50 HZ	DREIPHASENMOTOR 230/400V 50HZ
37 B	4598919	MOTORE 2VELOCITA.400V.HP 1-1,5 B3	TWO SPEED MOTOR	MOTEUR 2V. 400V HP 1/1,5	MOTOR 400V. HP.1/1,5 - B.3
37 C	4598499	MOTORE 1PH 115V. HP1,2 50/60HZ	115V 1PH MOTOR	MOTEUR 115V 1PH	MOTOR 115V. 1PH.
38	4396700	ANELLO SEEGER E D.50x2 7436	SEEGER RING D.50x2	JOINT SEEGER D.50x2	SEEGER RING D.50x2
39	4399964	VITE TE M 6x10	SCREW TE M6 x 10	VIS TE M6 x 10	SCHRAUBE TE M6x10 8.8
40	3001996	VITE PER RACCORDO GIREVOLE GT	SCREW FOR ROTATING UNION GT	VIS pour RACCORD PIVOTANT GT	SCHRAUBE f. DREHANSCHLUSS GT
41	4399933	VITE TE M10x50 8.8	SCREW TE M10x50	VIS TE M10x50	SCHRAUBE TE M10x50

DISPOSITIVO DI GONFIAGGIO GT - DISPOSITIF DE GONFLAGE GT
GT INFLATING DEVICE - GT-AUFPUMPVORRICHTUNG

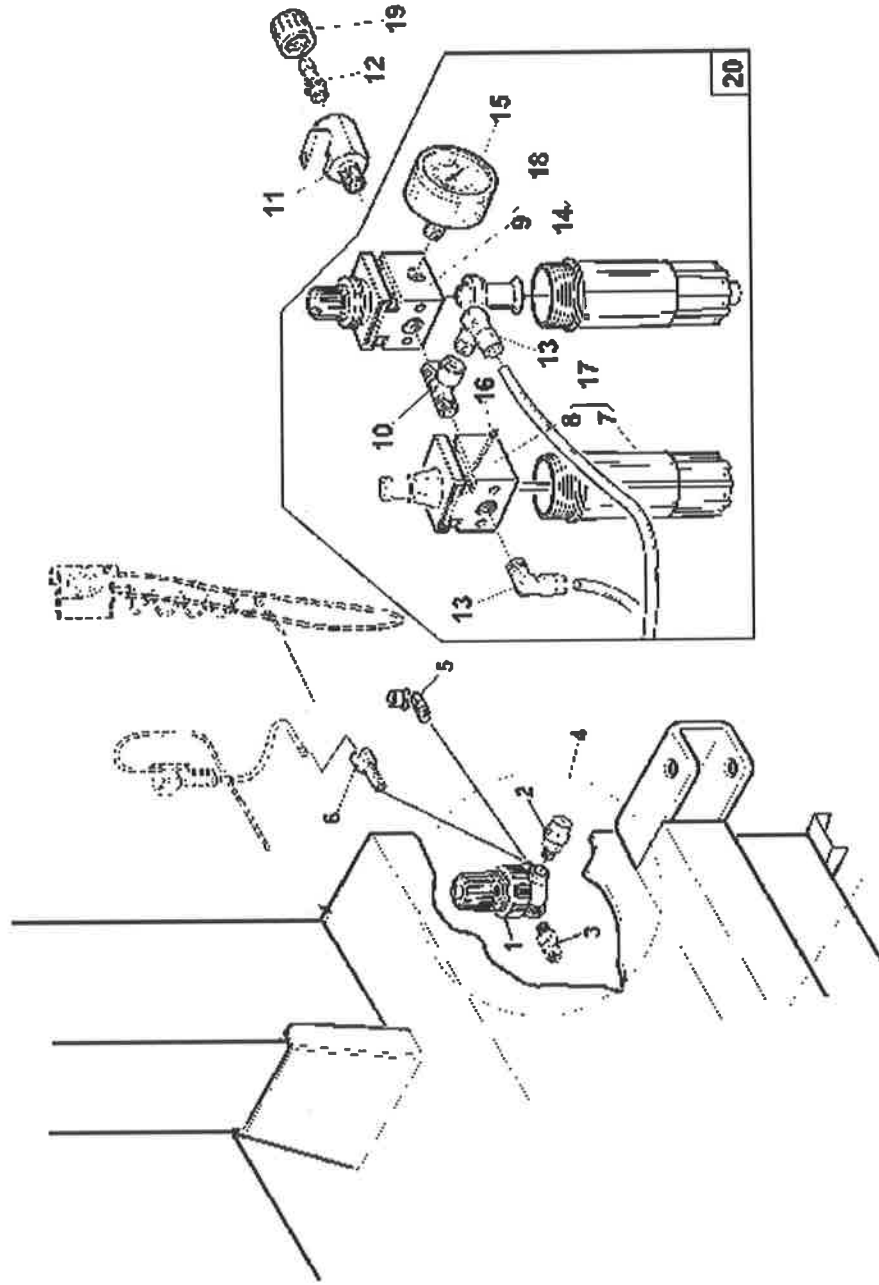


**DISPOSITIVO DI GONFIAGGIO GT - DISPOSITIF DE GONFLAGE GT
GT INFLATING DEVICE - GT-AUFPUMPVORRICHTUNG**

1	4399890	VITE TCEI M 6x20 8.8	5931	SCREW M6x20 - 8.8	VIS M6x20 - 8.8	SCHRAUBE M6x20 - 8.8
2	4399889	DADO M 6 6S ZNT	5588	NUT M6	ECROU M6	MUTTER M6
3	4399892	VITE TE 6x20 8.8	5739	SCREW M6x20 - 8.8	VIS M6x20 - 8.8	SCHRAUBE M6x20 - 8.8
4	2110288	PEDALINO GT -ZINC. B.		GT PEDAL	PEDALE GT	GT-PEDAL
5	3010287	SUPPORTO PEDAL. GT		GT PEDAL SUPPORT	SUPPORT DE PEDALE GT	GT-PEDALSTUETZ
6	2009718	GR.VALVOLA GT COATS 9010		VALVE UNIT	GR.SOUPAPE GT	VENTIL
7	4398848	RONDELLA 6 (6,6x18x1,5)		WASHER 6 (6,6x18x1,5)	RONDELLE 6 (6,6x18x1,5)	BEILAGSSCHEIBE 6 (6,6x18x1,5)
8	4399229	VITE TE 6x10 8.8		SCREW 6x10	VIS 6x10	SCHRAUBE 6X10
9	4298942	MOLLA GIALLA SL D.20x26		SPRING D.20x26	RESSORT D.20x26	FEDER D.20x26
10	4399999	VITE TCEI M 6x25 8.8	5931	SCREW M6x25 - 8.8	VIS M6x25 - 8.8	SCHRAUBE M6x25 - 8.8
11	4398634	ANELLO SEEGER E D.10		SEEGER RING D.10	BAGUE SEEGER D.10	SEEGER RING D.10
12	3000141	MOLLA RITORNO PEDALI		SPRING	RESSORT DE RAPPEL PEDALES	RUECKZUGFEDER
13	4399893	DADO AUTOBL. M 6 BASSO		SELF-LOCKING NUT M6	ECROU DE VERROUILLAGE M6	SELBSTSICHERNDE MUTTER M6
14	4399100	COPIGLIA D.3,2X30	1336	SPLIT PIN D.3,2x30	GOUPILLE D.3,2x300	SPLINT D.3,2X30
15	4399998	RONDELLA 6 (6,4x12x1,6)ZNT6592		WASHER 6 (6,4x12x1,6)	RONDELLE 6 (6,4x12x1,6)	SCHEIBE 6 (6,4x12x1,6)
16	4399897	VITE TE 4x25 8.8 P.F.	5737	SCREW M4x25 - 8.8	VIS M4x25 - 8.8	SCHRAUBE M4x25 - 8.8
17	4399895	DADO AUTOBL.M 4 BASSO.6S. 7474		SELF-LOCKING NUT M4	ECROU A' BLOCAGE AUTOMAT. M4	SELBSTSICHERNDE MUTTER M4
18	3001853	LEVETTA COMANDO VALVOLA -ZNT		VALVE CONTROL LEVER	LEVIER COMMANDE SOUPAPE	VENTILKONTROLLHEBEL
19	3002109	TUBO RILSAN 14X11 L=1070		RILSAN HOSE D.14x11 L=1070	TUYAU RILSAN 14x12 L=1070	SCHLAUCH D.14x11 L=1070
20	4398999	VITE AUTOF. TCIC 3,5x13	6954	SELF-TAPPING SCREW 3,5x13	VIS AUTOTARADEUSE 3,5x13	BLECHSCHRAUBE 3,5x13
21	3001585	FLANGIA X VALVOLA 3001583		FLANGE for VALVE 3001583	BRIDE POUR SOUPAPE 3001583	FLANSCH
22	4299000	ANELLO OR 9,8x3,85		O-RING 9,8x3,85	JOINT OR 9,8x3,85	O-RING 9,8x3,85
23	3001849	ASTA X VALVOLA PNEU. GT TN		GT PNEUMATIC VALVE SHAFT	TIGE POUR SOUPAPE	VENTILSTANGE
24	3001584	DISTANZIALE X VALVOLA 3001583		SPACER FOR VALVE 3001583	ENTRETOISE	ABSTANDSSTUECK
25	3001583	VALVOLA DISTRIB.-SENZA CHIAVET		DISTRIBUTION VALVE	SOUPAPE DISTRIBUTION	VENTIL
26	4198954	RACCORDO 6510 1/8"-8 S.RAPIDO		QUICK UNION 6510 1/8"-8	RACCORD RAPIDE 6510 1/8"-8	SCHNELLSANNSCHLUSS 6510 1/8"-8
27	4199161	TAPPO MASCHIO 2611 1/8"		PLUG	BOUCHON 1/8"	VERSCHRAUBUNG 1/8"
28	4199888	RACCORDO "T" 1/8"-8/6 A.112		T-UNION	RACCORD PST08-01 1/8-8	T-VERSCHRAUBUNG 1/8"
29	4199098	RACCORDO 6500 1/8" 6-4 S.RAPID		UNION 6500 1/8" 6-4	RACCORD 1/8" 6-4	ANSCHLUSS 6500 1/8" 6-4
30	3001382	TUBO RILSAN D. 8X6 L=850		RILSAN HOSE D.8x6 L=850	TUYAU RILSAN D.8x6 L=850	SCHLAUCH D.8x6 L=850

31	4198531	VALVOLA PNEUM. 1"	PNEUMATIC VALVE 1"	SOUPAPE PNEUMAT.1"	DRUCKLUFTVENTIL 1"
32	4198884	RACCORDO 6510 1/4"-8 S.RAPIDO	UNION 6510 1/4"	RACCORD 6510 1/4"	ANSCHLUSS 6510 1/4"-8
33	3002110	TUBO RILSAN 6X4 L=580	RILSAN HOSE D.6x4 L=580	TUYAU RILSAN D.6x4 L=580	SCHLAUCH 6x4 L=580
34	4198298	RACCORDO 6510 1/4"-6 S.R.	6510 UNION 1/4"-6	RACCORD 6510 1/4"-6	ANSCHLUSS 6510 1/4"-6
35	4196442	ATTACCO PORTAGOMMA 9889 1"-25	CONNECTION	ATTELAGE	VERBINDUNG
36	4196481	LUBRIFIC.1/4" GRIGIO (PLAST.)	LUBRICATOR	GRAISSEUR	SCHMIERER
37	4198173	REGOLATORE 1/4" 0-3,5 BAR	REGULATOR 1/4" 0-3,5 BAR	REGULATEUR 1/4" 0-3,5 BAR	DRUCKREGLER 1/4" 0-3,5 BAR
37/A	4197996	REGOLATORE 1/4" 510kPa (=5BAR)	REGULATOR 1/4" 510 kPa (5BAR)	REGULATEUR 1/4" 510 kPa(5BAR)	REGLER 1/4" 510 kPa (5BAR)
38	4198884	RACCORDO 6510 1/4"-8 S.RAPIDO	UNION 6510 1/4"	RACCORD 6510 1/4"	ANSCHLUSS 6510 1/4"-8
39	3000635	SPIRALE RILSAN 8X6 L=2300	RILSAN HOSE D.8x6 L=2300	SPIRALE RILSAN D.8x6 L=2300	SPIRALSCHLAUCH 8x6 L=2300
40	4196480	FILTRO REG. 1/4" GRIGIO+MAN 0-16	FILTER	FILTRE	FILTER
41	4198938	RACCORDO 11021 1/4" M USA	UNION 1/4"	RACCORD 1/4"	ANSCHLUSS 1/4"
42	4399976	DADO M 8 6S ZNT 5588	NUT M8	ECROU M8	MUTTER M8
43	4199189	VALV.SIC.1/4" 0/12 BAR+RIV+CAPP	SAFETY VALVE 1/4" 0/12 BAR	SOUPAPE DE SECURITE" 1/4" 0/12 BAR	SICHERHEITSVENTIL 1/4" 0/12 BAR
44	4196354	VALVOLA MVS 2901 DF 1/4"	VALVE MVS 2901 DF 1/4"	SOUPAPE MVS 2901 DF 1/4"	VENTIL MVS 2901 DF 1/4"
45	4198578	RACCORDO 6520 1/4"-8/6 GIREV.	ROTATING UNION 1/4"-8/6	RACCORD 6520 1/4"8/6	VERSCHRAUBUNG 6520 1/4"-8/6
46	3010798	TUBO RILSAN D. 8x6 L=440	RILSAN HOSE D. 8x6 L=440	TUYAU RILSAN D.8x6 L=440	RILSAN SCHLAUCH D.8x6 L=440
47	2008872	GR.TUBO CENTR. GT EIWA L=1400	GT CONTROL UNIT HOSE L=1400	GR. TUYAU COM. GT L.1000	SCHLAUCH L=1400
48	4299000	ANELLO OR 9,8X3,85	O-RING 9,8x3,85	JOINT OR 9,8x3,85	O-RING 9,8x3,85
49	4196344	ATTACCO BAIONETTA 100F 1/4"	UNION	ATTELAGE	VERBINDUNGSSTUECK
50	4196440	FASCETTA COLLARE L20 32-35	BAND	COLLIER	BAENDCHEN
51	3012913	TUBO NL10 25/35 L=450	HOSE	TUYAU	SCHLAUCH
52	4396593	VITE TCEI M 4x40 PF	SCREW 4x40	VIS 4x40	SCHRAUBE 4x40
53	4198435	VALV.SIC.1/8"0/4 BAR+RIV.+CAP.	SAFETY VALVE 1/8" 0/4 BAR	SOUPAPE SECURITE' 1/8" 0/4 BAR	SICHERHEITSVENTIL 1/8" 0/4BAR
53/A	4198702	VALV.SIC.1/4" 0/5 BAR+RIV+CAPP.	SAFETY VALVE 1/4" 0/5 BAR	SOUPAPE DE SECURITE" 1/4" 0/5 BAR	SICHERHEITSVENTIL 1/4" 0/5 BAR
54	4196357	CURVA 90' 1" F/F ART.2-ZNT	BEND 90' 1" F/F	COURBE 90' 1" F/F	ANSCHLUSS 90' 1" F/F
55	3000144	TUBO ELASTOLAN D. 8X6 L=910	HOSE 8x6 L=910	TUYAU 8x6 L=910	SCHLAUCH 8x6 L=910
56	6615108	LAMIERA ANTERIORE GT	GT FRONT SHEET	TOLE GT AVANT	GT VORDERBLECH
57	4399946	VITE TE 8x16 8.8 5739	SCREW M8x16 8.8	VIS M8x16 8.8	SCHRAUBE M8x16 8.8
58	2014217	CENTR.PNEU. GT CE	GT PNEUM. CONTROL UNIT	UNITE' DE CONTROL PNEUM. GT	DRUCKLUFTFEINHEIT GT

58/A	2014218	CENTRALINA PNEUM.GT 600 KPA/PSI/BAR	GT PNEUMATIC UNIT 600 KPA	UNITE PNEUMATIQUE GT 600 KPA	GT DRUCKLUFTFEINHEIT 600 KPA
58/B	2014797	CENTRAL.PN.GT 1200 KPA/PSI/BAR-REV	GT PNEUMATIC UNIT 1200 KPA	UNITE PNEUMATIQUE GT 1200 KPA	GT DRUCKLUFTFEINHEIT 1200 KPA
59	4299354	PULSANTE DI SCARICO	RELIEF PUSHBUTTON	BOUTON-POUSSOIR DE DECHARGE	ABLASSKNOPF
60	4399256	ROND. RAME 1/4" (13x19x1,5)	WASHER 1/4" D.13x19x1,5	RONDELLE 1/4" D.13x19x1,5	KUPFERSCHEIBE 1/4" D.13x19x1,5
61	3015111	RIPARTITORE 4 VIE F1/4"	DISTRIBUTION FRAME	REPARTITEUR	VERTEILER
62	4198908	RACCORDO 2020 1/4" F/M	UNION 1/4"	RACCORD 1/4"	ANSCHLUSS 1/4"
63	4198883	RACCORDO S6500 1/4"-8 S.RAPIDO	QUICK UNION 1/4"	RACCORD RAPIDE 1/4"	RACCORD RAPIDE 1/4"
64	6615109	LAMIERA POSTERIORE GT	GT BACK SHEET	TOLE GT ARRIERE	GT HINTERBLECH
65	4399903	RONDELLA 4	WASHER 4	RONDELLE 4	BEILAGSSCHEIBE 4
66	4398945	VITE AUTOPERFORANTE TCB 4x12,6	SELF-TAPPING SCREW 4x12,6	VIS AUTOTARADEUSE 4x12,6	BLECHSCHRAUBE 4x12,6
67	4198894	MANICOTTO 2543 1/4" F.	COUPLING 2543 1/4" F	MANCHON 2543 1/4"	MUFFE 2543 1/4" F
68	4198883	RACCORDO S6500 1/4"-8 S.RAPIDO	QUICK UNION 1/4"	RACCORD RAPIDE 1/4"	SCHNELLANSCHLUSS 1/4"
69/A	4198070	MANOMET.D.80 600KPA-6BAR-85PSI	PRESSURE GAUGE 600KPA-6BAR	MANOMETRE 600KPA-6BAR-85PSI	MANOMETER 600KPA-6BAR-85PSI
69/B	3015120	MANOMETRO D.80 1200KPA-170PSI	PRESSURE GAUGE D.80 1200KPA	MANOMETRE D.80 1200KPA	MANOMETER D.80 1200KPA
70	4198670	COLONNETTA 1/4" H=43	STUD BOLT 1/4" H=43	COLONNETTE 1/4" H=43	BUNDSCHRAUBE 1/4" H=43
71	4198973	RACCORDO 2090 1/4" MFM	UNION 1/4"	RACCORD 1/4"	ANSCHLUSS 1/4"



1	4198173	REGOLATORE 1/4" 0-3,5 BAR	REGULATEUR 1/4" 0-3,5 BAR	REGULATOR 1/4" 0-3,5 BAR	DRUCKREGLER 1/4" 0-3,5 BAR
2	4198435	VALV.SIC.1/8"0/4 BAR+RIV.+CAP.	SOUPAPE SECURITE' 1/8" 0/4 BAR	SAFETY VALVE 1/8" 0/4 BAR	SICHERHEITSVENTIL 1/8" 0/4BAR
3	4198884	RACCORDO 6510 1/4"-8 S.RAPIDO	RACCORD 6510 1/4"	UNION 6510 1/4"	ANSCHLUSS 6510 1/4"-8
4	2010781	GR.REGOLAT.4 BAR USC. GT CE	GRUPPE REGULATEUR PRESS. 4BAR	4 BAR PRESSURE REGULATOR UNIT	4 BAR-DRUCKREGLERGRUPPE
5	4198578	RACCORDO 6520 1/4"-8/6 GIREV.	RACCORD 6520 1/4"8/6	ROTATING UNION 1/4"-8/6	VERSCHRAUBUNG 6520 1/4"-8/6
6	4199797	RACCORDO 9A/M 1/4"	RACCORD 9A/M 1/4"	UNION 9A/M 1/4"	ANSCHLUSS 9A/M 1/4"
7	4196316	TAZZA LUBRIFICATORE	CUVE DU LUBRIFICATEUR	LUBRICATOR CUP	SCHMIERBECHER
8	4196315	CORPO LUBRIFICATORE	CORPS LUBRIFICATEUR	LUBRICATOR	SCHMIERER
9	4196313	CORPO FILTRO REGOLATORE	CORPS FILTRE	FILTER BODY	FILTERKÖRPER
10	4198973	RACCORDO 2070 1/4" MFM	RACCORD 2070 1/4"	UNION	ANSCHLUSS 2070 1/4"
11	4196354	VALVOLA MVS 2901 DF 1/4"	SOUPAPE MVS 2901 DF 1/4"	VALVE MVS 2901 DF 1/4"	VENTIL MVS 2901 DF 1/4"
12	4198938	RACCORDO 11021 1/4" M USA	RACCORD 11021 1/4"	UNION	VERSCHRAUBUNG 1/4"
13	4198883	RACCORDO 6500 1/4"-8 S.RAPIDO	RACCORD 6500 1/4"-8 RAPIDE	QUICK UNION 6500 1/4"-8	ANSCHLUSS 6500 1/4" - 8
14	4196314	TAZZA FILTRO REGOLATORE	CUVE FILTRE	FILTER CUP	FILTERBECKEN
15	4298308	MANOMETRO D.40 0-16 BAR 1/8"	MANOMETRE D.40 0-16 BAR 1/8"	PRESS. GAUGE D.40 0-16 BAR 1/8"	MANOMETER D.40 0-16 BAR 1/8"
16	4396593	VITE TCEI M 4x40 8.8	VIS 4x40	SCREW 4x40	SCHRAUBE 4x40
17	4196481	LUBRIFIC. 1/4"	HUILEUR	LUBRICATOR	SCHMIERER
18	4196480	FILTRO REG.	FILTRE REGULATEUR	FILTER REGULATOR	FILTERREGLER
19	4196344	ATTACCO BAIONETTA 100F 1/4"	ATTELAGE	UNION	VERBINDUNGSSTUECK
20	2012307	GRUPPO LUBRIFICAT + FILTRO REG.	HUILEUR+FILTRE REGULATEUR	LUBRICATOR+FILTER REGULATOR	SCHMIERER+FILTERREGLER

