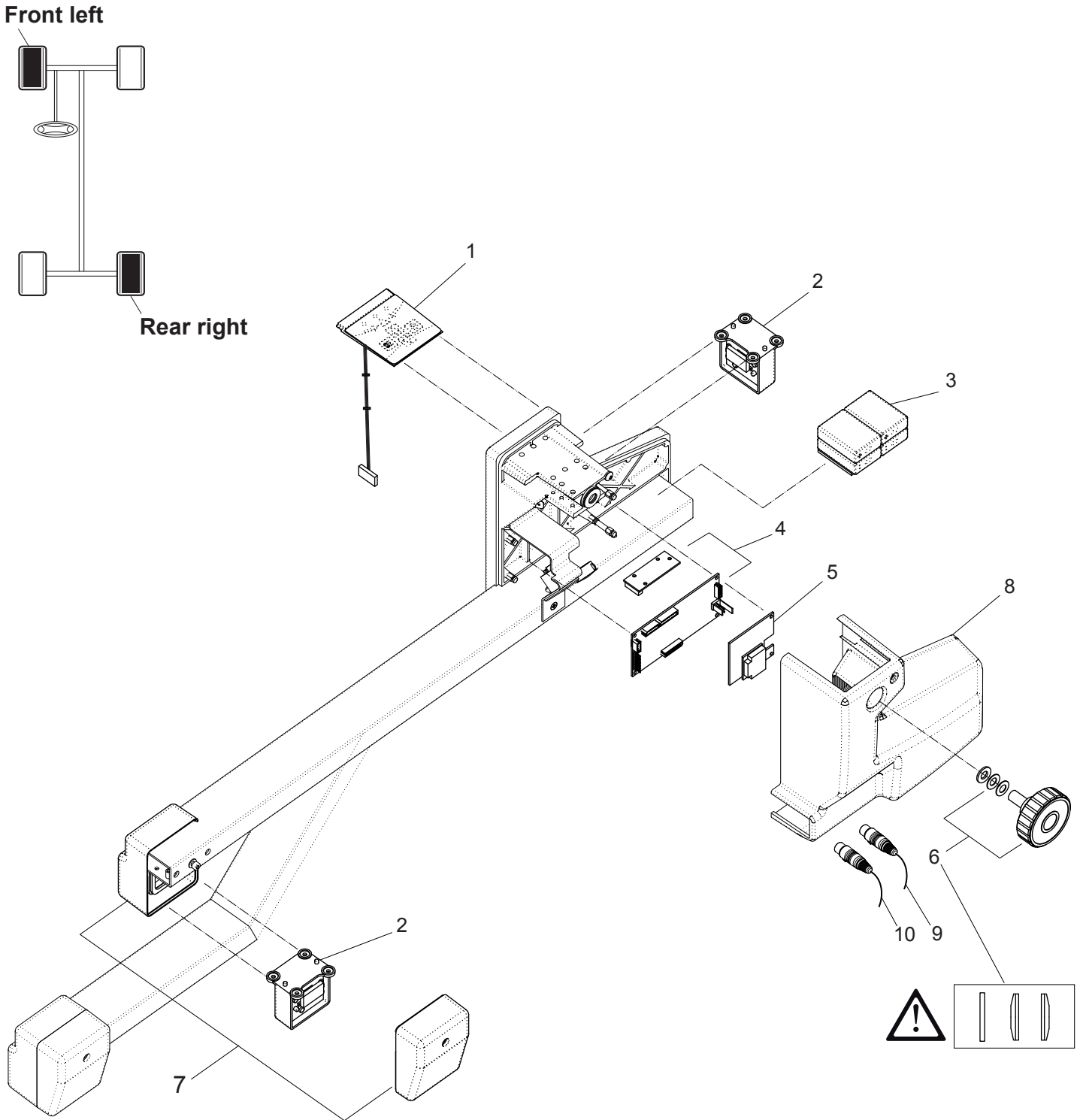
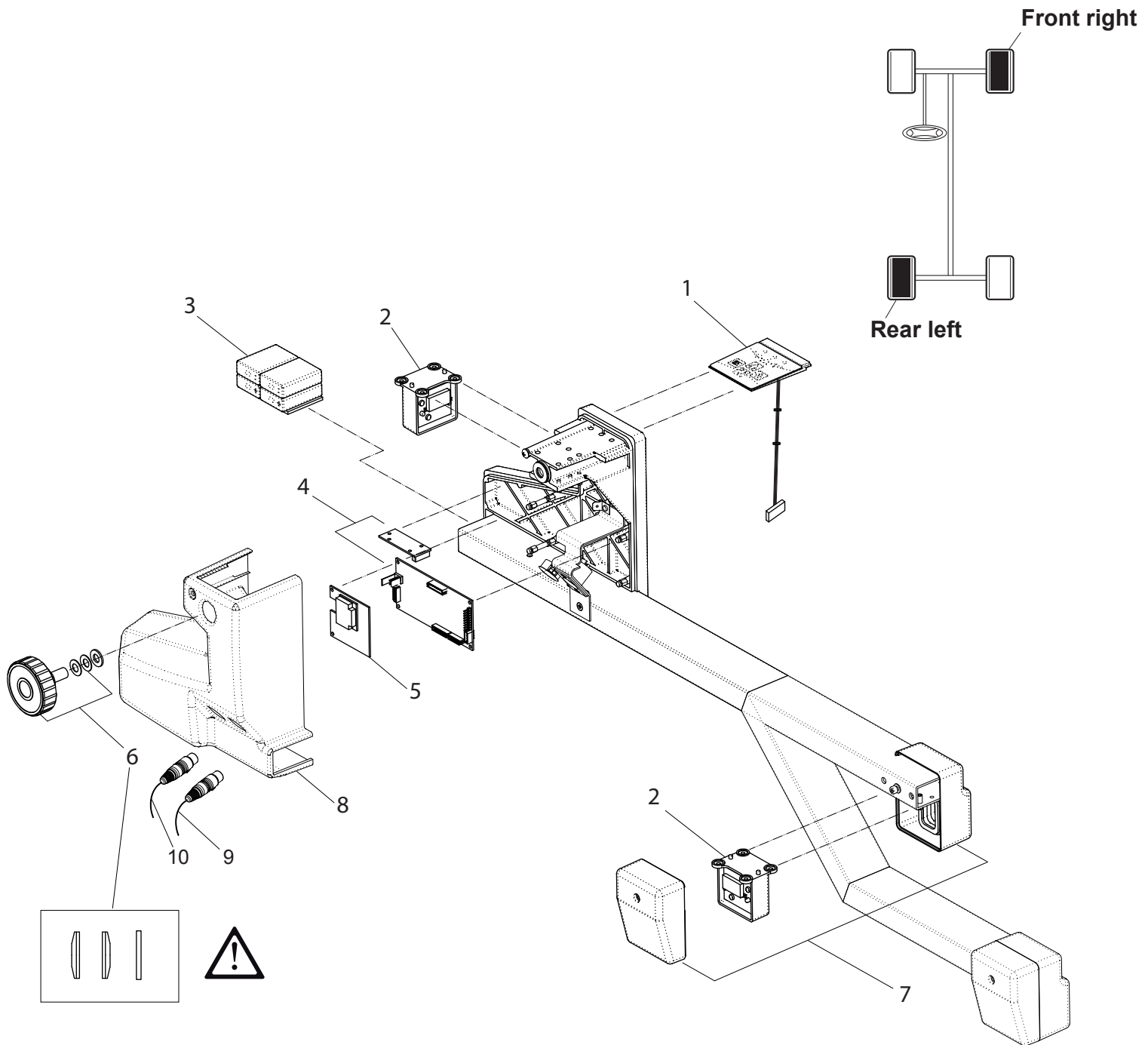


FRONT LEFT - REAR RIGHT MEASURING HEADS



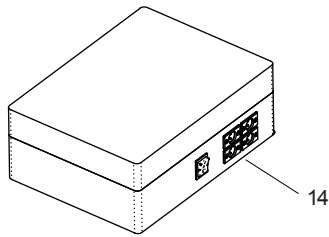
ITEM	CODE	DENOMINATION
1	05PR88629	KEYPAD
2	86SB81712	CAMERA (A VERSION)
2	86SB94527	CAMERA (B VERSION)
3	4RDW86037	BATTERY (RADIO)
4	8RSB84296	ACCELEROMETER + LOGIC BOARDS
5	67D81536A	BT2 BOARD (RADIO)
6	4RDW86038	LOCKING HANDLE
7	4RDW86096	PLASTIC CAP
8	14DW77348	PLASTIC COVER
9	86SB56305	CABLE INTERFACE FOR MEASURING HEAD (L=5m)
10	86SB85932	CABLE INTERFACE FOR MEASURING HEAD (L=12m)

FRONT RIGHT - REAR LEFT MEASURING HEADS



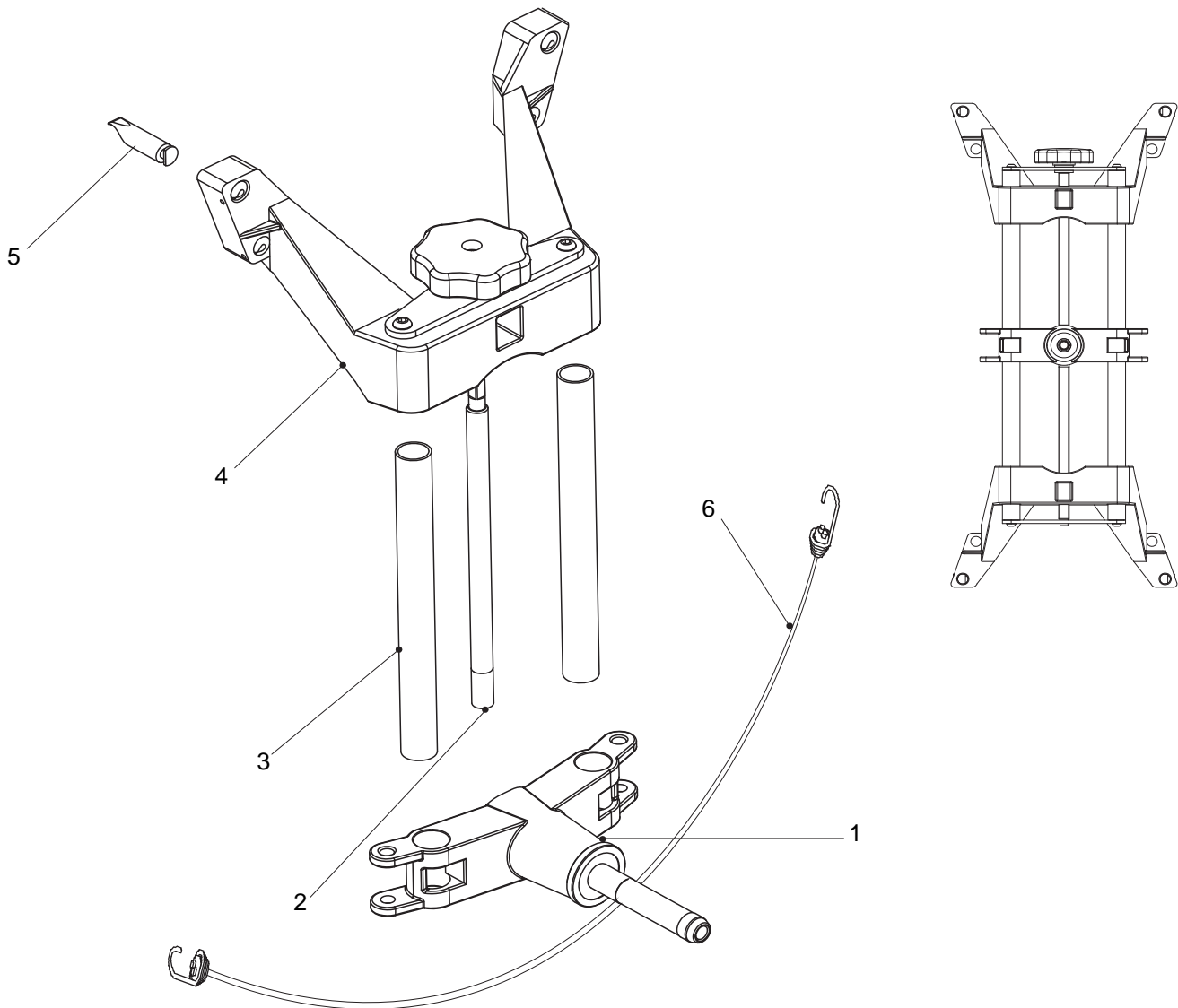
ITEM	CODE	DENOMINATION
1	05PR88629	KEYPAD
2	86SB81712	CAMERA (A VERSION)
2	86SB94527	CAMERA (B VERSION)
3	4RDW86037	BATTERY (RADIO)
4	8RSB84296	ACCELEROMETER + LOGIC BOARDS
5	67D81536A	BT2 BOARD (RADIO)
6	4RDW86038	LOCKING HANDLE
7	4RDW86100	PLASTIC CAP
8	14DW77363	PLASTIC COVER
9	86SB56305	CABLE INTERFACE FOR MEASURING HEAD (L=5m)
10	86SB85932	CABLE INTERFACE FOR MEASURING HEAD (L=12m)

POWER AND COMPUTING UNIT



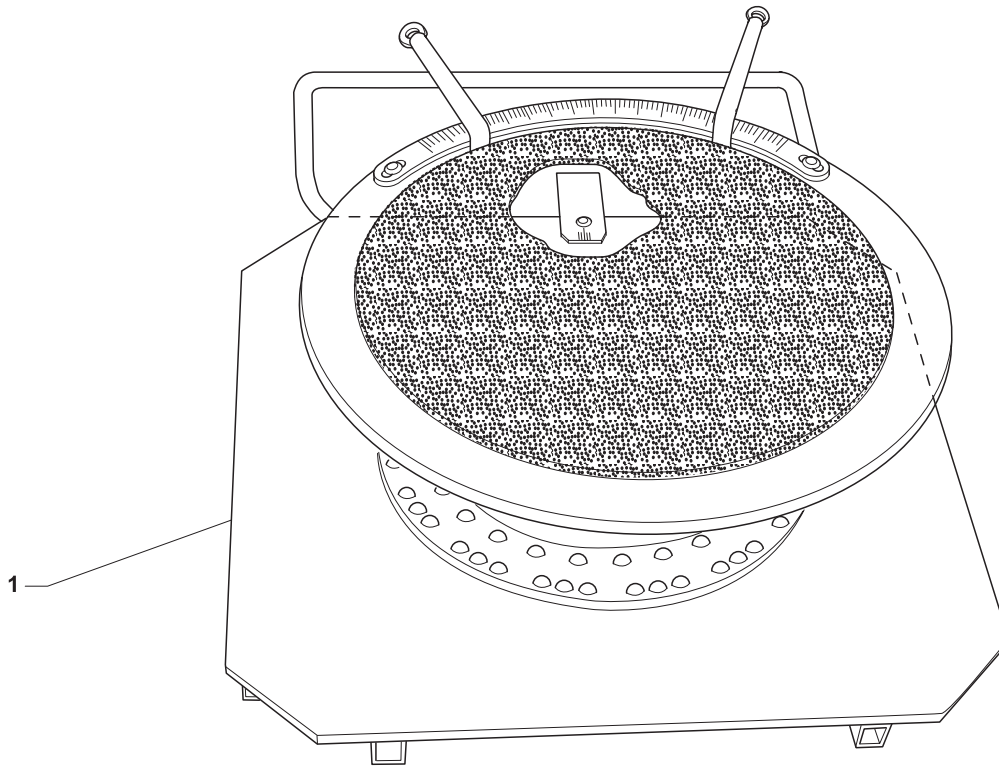
ITEM	CODE	DENOMINATION
14	86SB94848	POWER SUPPLY LIGHT

4 POINTS SELF CENTERING CLAMPS

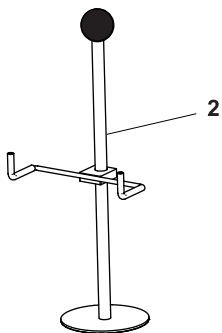


ITEM	CODE	DENOMINATION
1	42DW75899	CENTRAL BLOCK
2	42DW67232	THREAD SCREW
3	42DW67236	TUBE
4	42DW67234	SLIDE TABLE
4	42DW69446	SLIDE TABLE KNOB SIDE
5	42DW74032	GRIP STD L=45mm
5	42DW84936	GRIP WITH REFERENCE PLANE L=48mm
6	21DW76363	ELASTIC

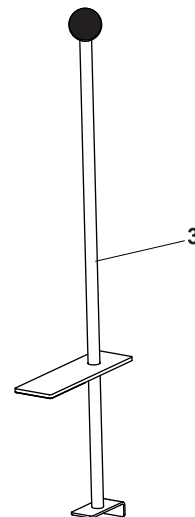
ROTATING PLATE



STEERING LOCK



PRESS BRAKE



ITEM	CODE	DENOMINATION
1	74SC00170	COMPLETE PLATE
2	74A010478	STEERING LOCK
3	74A010479	BRAKE PEDAL LOCK