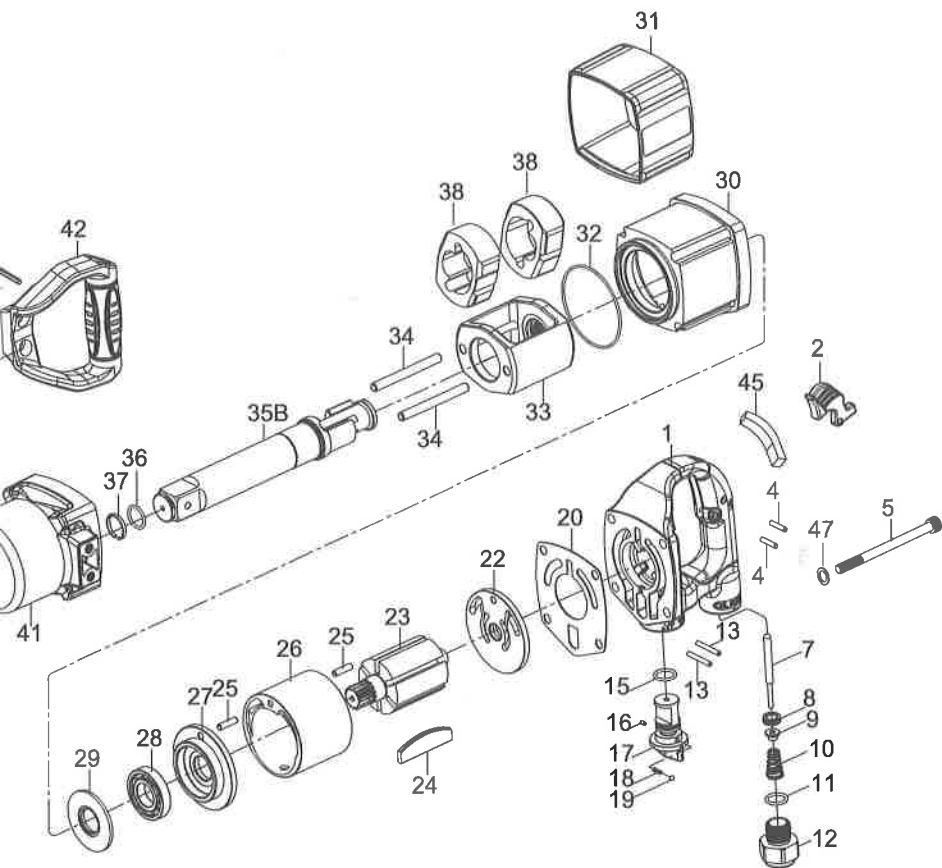


Operator's Manual Mini Plus Impact Wrench 155-26464



DESCRIPTION	REQ'D NO.	INDEX NO.	DESCRIPTION	REQ'D NO.
Backhead Assembly	1	26	Cylinder	1
Trigger	1	27	End Plate	1
Pin	2	28	Bearing	1
Pin	4	29	Washer	1
Reverse Valve Stem	1	30	Housing	1
Throttle Valve Seat	1	31	Rubber Grip	1
Throttle Valve	1	32	O-Ring	1
Spring	1	33	Hammer Frame	1
O-Ring	1	34	Hammer Pin	2
Air Inlet	1	35B	6" Extended Anvil Assembly (incl.36.37)	1
Spring Pin	2	36	O-Ring	1
O-Ring	1	37	Socket Retainer	1
Pin	1	38	Hammer	2
Reverse Valve	1	41	Hammer Case Assembly	1
Spring	1	42	Side Spade Handle	1
Steel Ball	1	45	Rubber Cap	1
Washer	1	46	Hex Key Wrench	1
End Plate Assembly	1	47	Washer	6
Motor	1	48	Screw	2
Motor Blade	6			
Spring Pin	2	TK	Tune-Up Kit { incl. 10.11.15.18.19.20.24 (6) .32.36.37 }	

TK is required not to be purchased alone due to assembly difficulty

20151203R1



WARNING

To reduce risk of injury, everyone using, installing, repairing, maintaining, changing accessories on, or working near this tool must read and understand these instructions before performing any such task.



ADVERTENCIA

Con el fin de reducir el riesgo de lesión, toda persona que utilice, instale, repare, mantenga, cambie accesorios o trabaje cerca de esta herramienta debe leer y comprender estas instrucciones antes de llevar a cabo cualquiera de las tareas antes mencionadas.



ATTENTION

Pour réduire les risques d'accidents, il est impératif que toute personne qui utilise, installe ou répare cet outil, qui change des accessoires ou travaille à proximité lise attentivement ces instructions au préalable.