

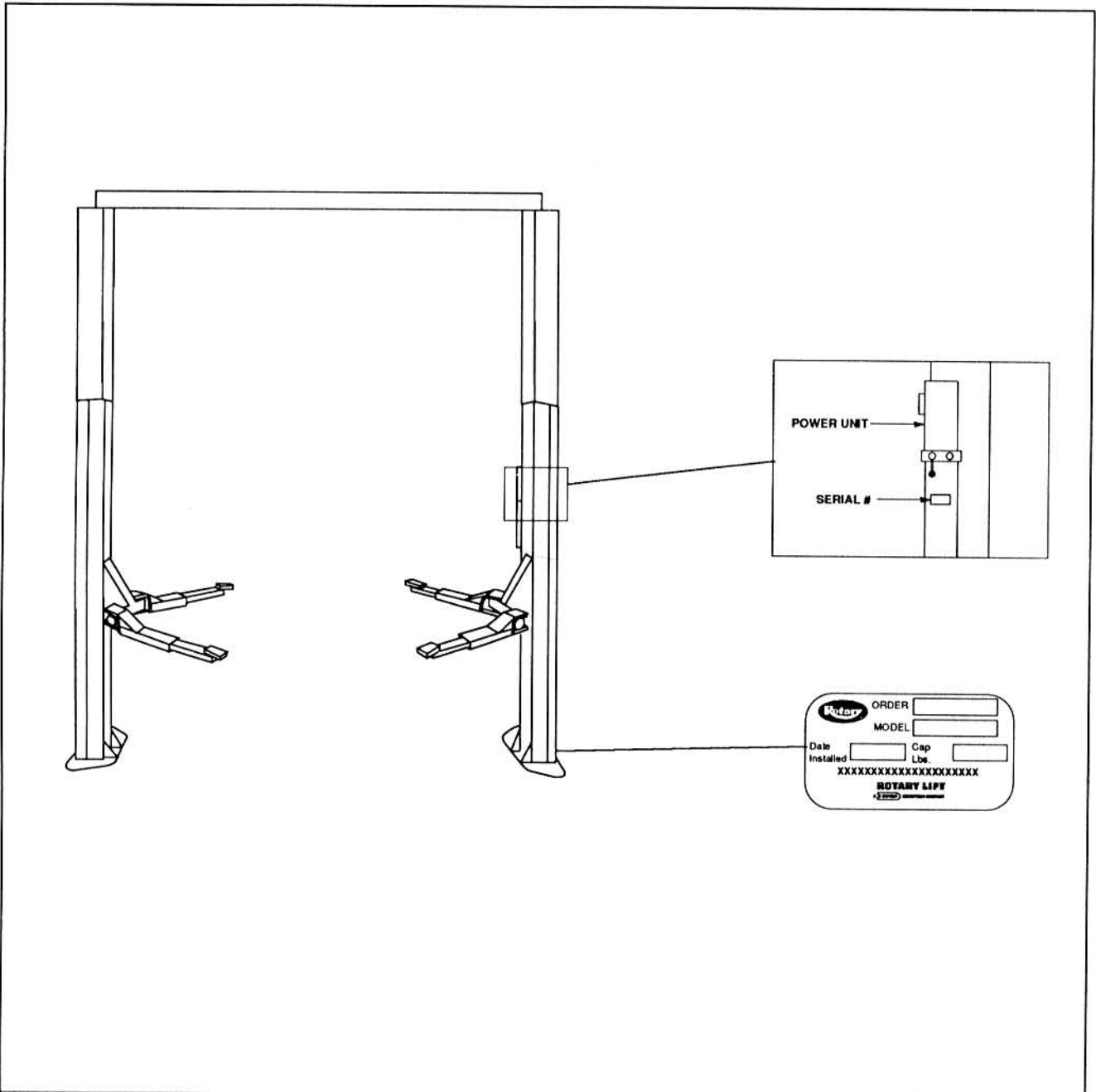
# ROTARY LIFT

P.O. Box 30205, Memphis, TN 38130

WORLD LEADER IN LIFT SYSTEMS

A **DOVER** INDUSTRIES COMPANY

# MODEL SPO98 PARTS BREAKDOWN



## OWNERS RECORD

Complete information  
at right and keep in  
a safe place.

Date Installed      /      /     

Installed In Bay #                     

Std. Serial #                      P502

3 ph. Serial #                      P504

Factory Order # L                    

**IMPORTANT:** When ordering parts or requesting service always give exact model and power unit serial number. Model number is shown on nameplate attached to side of power unit column, near base. Power unit serial number is located on side of power unit reservoir.

### SPO98 PARTS LIST

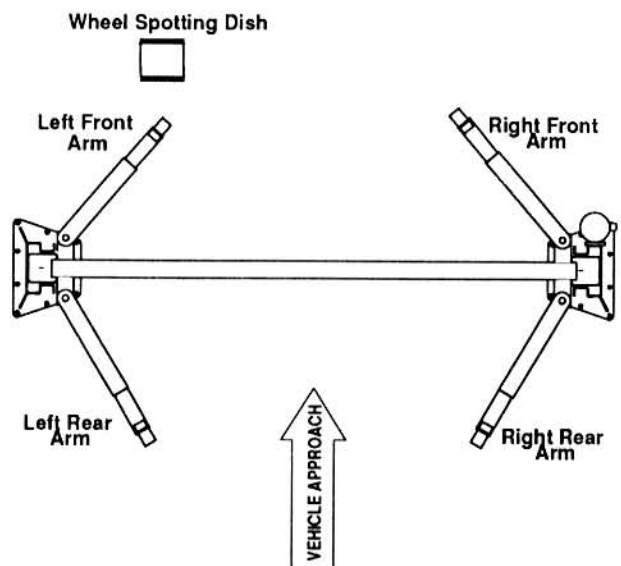
ITEM NO.	DESCRIPTION	PART NO.	ITEM NO.	DESCRIPTION	PART NO.
1	L.H. Column Assembly	FJ7559	35	Ball Handle	FC134-9-10
2	R.H. Column Assembly	FJ7558	36	Spring	FC134-9-7
3	Column Extension	FJ7443	37	Slider Block	FJ7360
4	Carriage Yoke Assembly	FJ7454	38	3/4" Concrete Anchor (16 Req'd)	FJ7380
5	Outer Arm*	FJ7457-1	39	1 1/2" O.D. x 3/4" I.D. x .045" Thick Mach. Bushing	1 REQ'D
6	Outer Arm**	FJ7458-1			
7	Hydraulic Cylinder	FJ7311	40	U-Bolt	FJ7448-1
8	Power Unit	P502	41	1/4" — 20NC Hex Nut	6 REQ'D
9	Power Unit Hose	FJ818	42	1/8" x 1" Lg. Cotter Pin	2 REQ'D
10	5/16"-18NC x 3/4" Bolt,Ext Tooth LW&Nut	4 REQ'D	43	Safety Switch Assembly	FJ7448 @@
11	Inner Arm	FJ7416-2	44	Switch Bar Assembly	FJ7448-2
12	Stop Bolt	FC576	45	R.H. Latch Sheave Bracket Assy.	FJ7446-5
13	5/16" Washer, Black Oxide	4 REQ'D	46	R.H. Overhead Assembly	FJ7446 @
14	Order with Complete Ass'y item #11	FJ7416-2	47	3/8" — 16NC x 3/4" Long HHCS	4 REQ'D
15	High Step Adapter	FJ671-1	48	3/8" Flat Washer	4 REQ'D
16	Low Step Adapter	FJ671-2	49	Overhead Hose	FJ819
17	Adapter Pin	FJ671-3	50	Equalizer Cable Assembly	FJ7450
18	3/32" Hog Ring For 1/2" Shaft	8 REQ'D	51	L.H. Overhead Assembly	FJ7447 @
19	Adapter Swivel Pin	FJ79-6	52	Locking Latch Cable Assembly	FJ7594-1
20	Bleeder Screw MF	2 REQ'D	53	3/8" — 16NC x 1" Long HHCS	16 REQ'D
21	Carriage Bumper (6" Long—2 Req'd)	FJ7391-2	54	3/8" — 16NC Flanged Locknut, MacLEAN—FOGG #31WF3816	20 REQ'D
22	Arm Pin	FJ7453-4			
23	Approach Bumper (Door-18" Lg-2 Req'd)	FJ7391-1	55	Sheave Shaft	FJ7444-8
24	1/2" — 13NC Hex Lock Nut	4 REQ'D	56	Bracket	FJ7448-5
25	3/16" x 2" Long Cotter Pin	4 REQ'D	57	1/4"-20NC x 3/4" HHCS Gd. 5	2 REQ'D
26	Truarc #5304-75 Klipping for 3/4" Shaft	1 REQ'D	58	L.H. Latch Sheave Bracket Assy.	FJ7446-3
27	Sheave	FJ7116-1	59	Locking Latch Sheave	FJ7322
28	Wheel Spotting Dish	FF729	60	Truarc Klip #5304-37 for 3/8" Shaft	2 REQ'D
29	1/8" x 3/4" Long Cotter Pin	8 REQ'D	61	Pipe Clip (8 Req'd)	FJ7206
30	Clevis Pin — Yoke	FJ7359-5	62	#10 — 24NC x 7/16" Lg. Slotted PHMS (For Columns)	4 REQ'D
31	Clevis Pin — Arm	FJ7233-22			
32	Rod	FJ7359-1		#10 — 24NC x 3/8" Lg. Slotted HHTS (For Extension & Overhead)	4 REQ'D
33	Outer Tube	FJ7359-3			
34	Plunger	FJ7233-25			

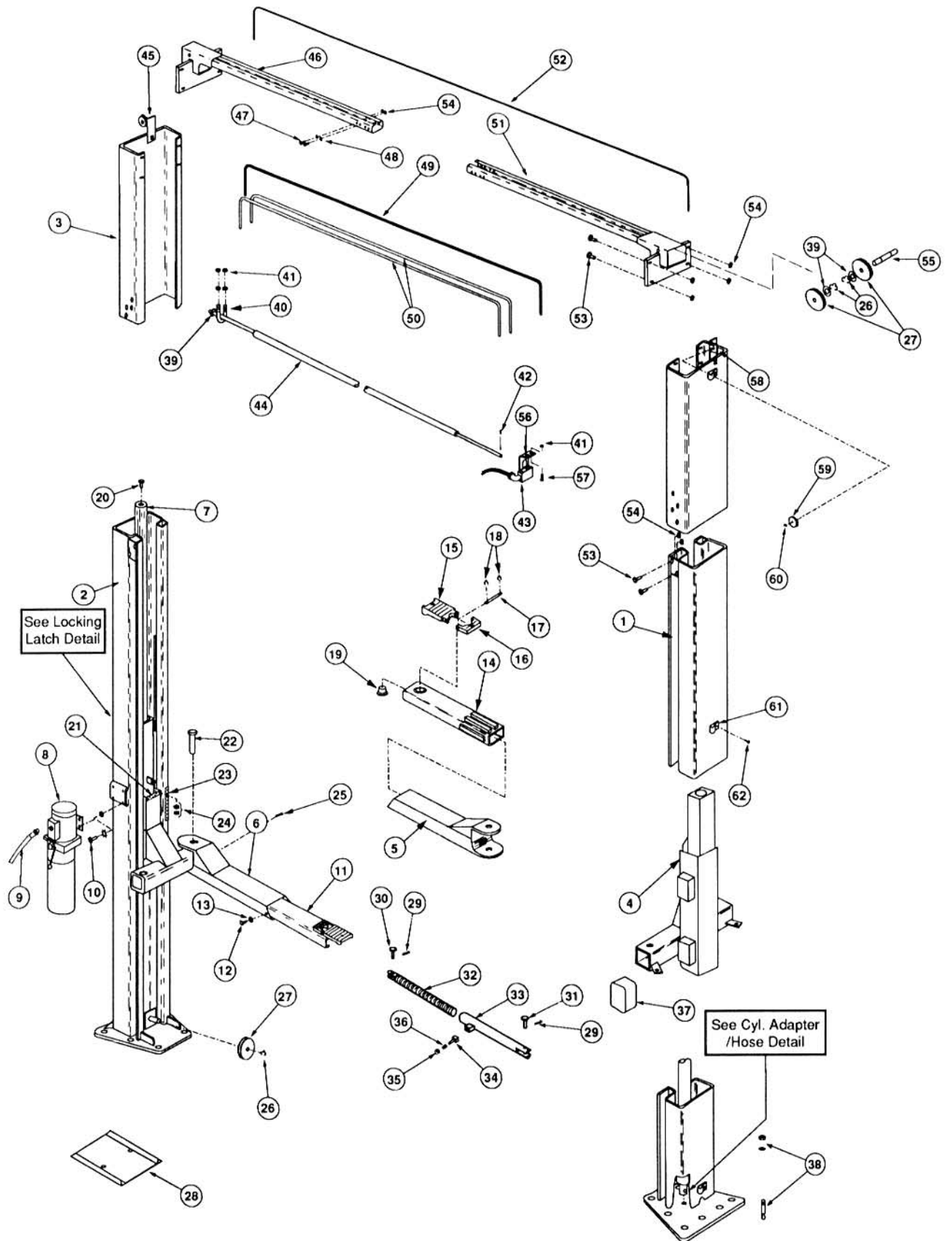
\* Used on both Right Front and Left Rear Arm of lift.

\*\* Used on both Left Front and Right Rear Arm of lift.

@ Includes pc's. 26, 27, 39, 55

@@ Includes pc. 56





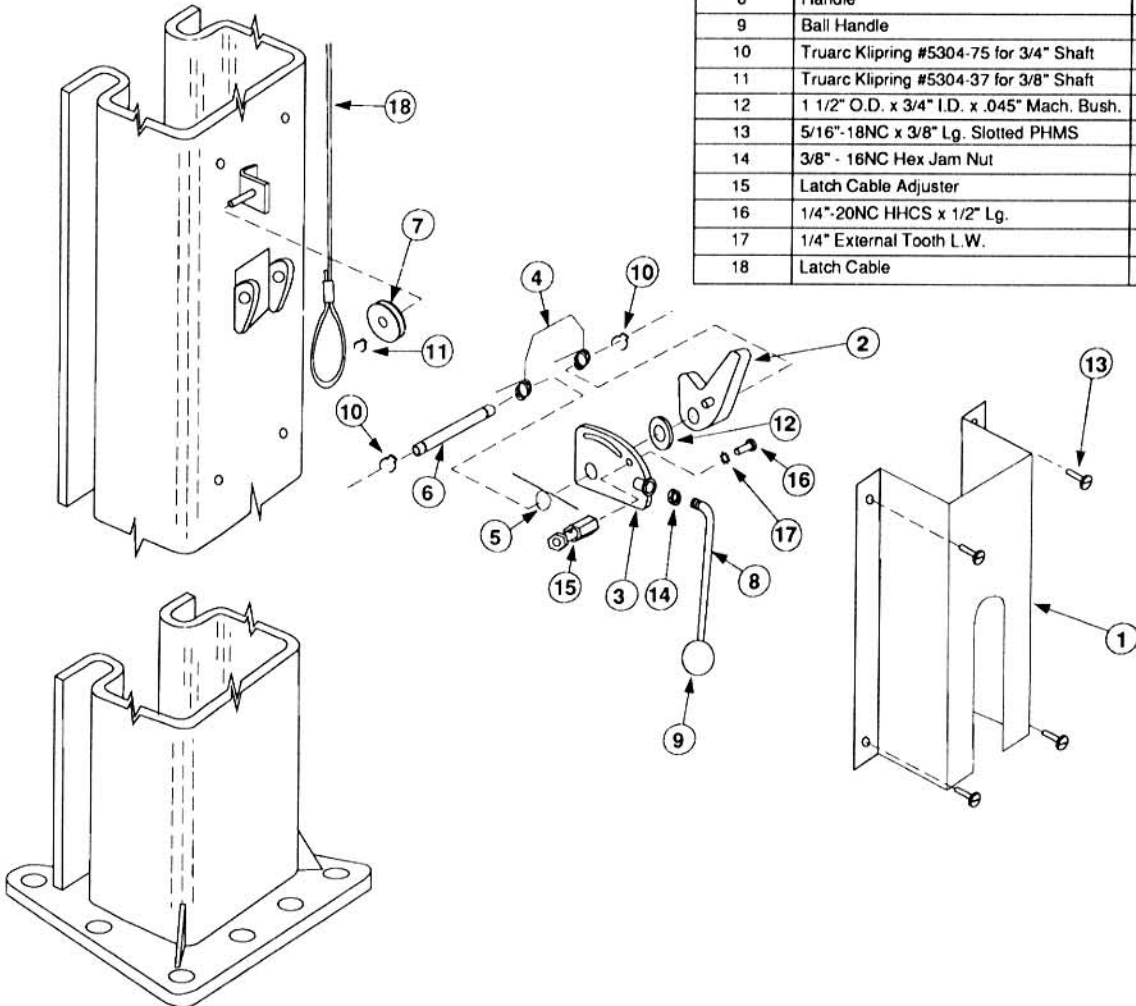
### CYLINDER ADAPTER / HOSE DETAIL



#### CYLINDER ADAPTER/HOSE DETAIL PARTS LIST

ITEM NO.	DESCRIPTION	PART NO.
1	Cylinder Adapter	FJ7353-2
2	Plug	FJ7352-2
3		
4		

### LOCKING LATCH DETAIL



#### LOCKING LATCH DETAIL PARTS LIST

ITEM NO.	DESCRIPTION	PART NO.
1	Control Side Cover	FJ7387
	Slave Side Cover	FJ7387-1
2	Locking Latch Dog	FJ7382-7
3	Control Plate	FJ7383-2
4	Spring	FJ7382-2
5	Spring	FJ7382-9
6	Latch Shaft	FJ7382-3
7	Locking Latch Sheave	FJ7322
8	Handle	FJ7382-18
9	Ball Handle	FC134-9-10
10	Truarc Klipring #5304-75 for 3/4" Shaft	2 REQ'D
11	Truarc Klipring #5304-37 for 3/8" Shaft	1 REQ'D
12	1 1/2" O.D. x 3/4" I.D. x .045" Mach. Bush.	1 REQ'D
13	5/16"-18NC x 3/8" Lg. Slotted PHMS	4 REQ'D
14	3/8" - 16NC Hex Jam Nut	1 REQ'D
15	Latch Cable Adjuster	FJ7594-3
16	1/4"-20NC HHCS x 1/2" Lg.	2 REQ'D
17	1/4" External Tooth L.W.	2 REQ'D
18	Latch Cable	FJ7594-1

**ROTARY LIFT**

A DOVER INDUSTRIES COMPANY

INDEX 2.2.8

**PANZITTA SALES & SERVICE**

72 George Avenue

Wilkes-Barre, PA 18705

570-822-6720 800-822-6720

www.panzittasales.com