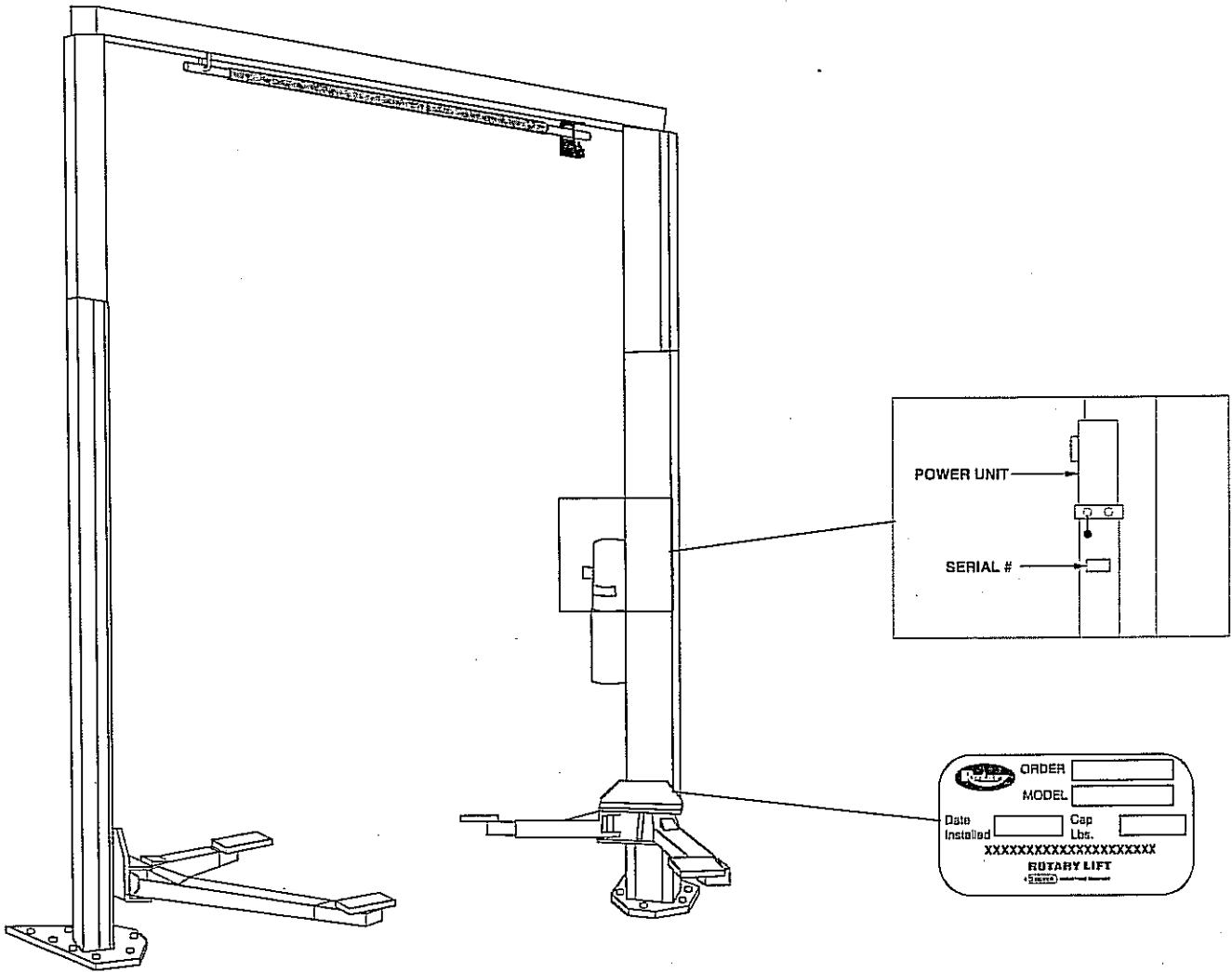


# ROTARY LIFT

P.O. Box 1560 Madison, IN. 47250  
 WORLD LEADER IN LIFT SYSTEMS

A **DOVER** INDUSTRIES COMPANY

# MODEL SPOA88 PARTS BREAKDOWN



## OWNERS RECORD

Complete information  
 at right and keep in  
 a safe place.

Date Installed \_\_\_\_\_ / \_\_\_\_\_ / \_\_\_\_\_

Installed In Bay # \_\_\_\_\_

Std. Serial # \_\_\_\_\_ / P602

3 ph. Serial # \_\_\_\_\_ / P604

Factory Order # L \_\_\_\_\_

Model No# \_\_\_\_\_

**IMPORTANT:** When ordering parts or requesting service always give exact model and power unit serial number. Model number is shown on nameplate attached to base of Power Unit column. Power unit serial number is located on side of power unit reservoir.

**NOTE:** For Replacement Parts - See Your Nearest Rotary Parts Distributor

INDEX 2.2.9.1

**SPOA88 PARTS LIST**

ITEM NO.	DESCRIPTION	PART NO.	ITEM NO.	DESCRIPTION	PART NO.
1	L.H. Column Assembly	FJ7681	50	Safety Switch Assembly	FJ7613 †
2	R.H. Column Assembly	FJ7680	51	Switch Bar Assembly	FJ7613-2
3	Column Extension	FJ7657	52	R.H. Latch Sheave Bracket Assy.	FJ7444-11
4	L. H. Carriage Yoke Assembly	FJ7381	53	R.H. Overhead Assembly	FJ7444 †
5	R. H. Carriage Yoke Assembly	FJ7382	54	3/8"—16NC x 3/4" Lg.Flanged HHCS	4 REQ'D
6	Left Front Outer Arm	FJ7255-1	55	3/8" Flat Washer	4 REQ'D
7	Right Front Outer Arm	FJ7256-1	56	Overhead Hose	FJ838
8	Left Rear Outer Arm	FJ7257-1	57	Equalizer Cable Assembly	FJ7449
9	Right Rear Outer Arm	FJ7258-1	58	L.H. Overhead Assembly	FJ7445 †
10	Hydraulic Cylinder	FJ7311	59	Locking Latch Cable Assembly	FJ7594-1
11	Power Unit	P602	60	3/8"—16NC x 1" Lg. Flanged HHCS	8 REQ'D
12	Power Unit Hose	FJ837	61	3/8" — 16NC Flanged Locknut,	12 REQ'D
13	Branch Tee	FJ7668	62	Sheave Shaft	FJ7444-8
14	5/16" — 18NC x 3/4" Lg.HHCS, External Tooth Lockwasher & Hex Nut	4 REQ'D	63	Bracket	FJ7613-1
			64	1/4"-20NC x 3/4" HHCS Gd. 5	2 REQ'D
15	*Front Inner Arm Assembly	FJ7256-2	65	L.H. Latch Sheave Bracket Assy.	FJ7444-9
16	*Rear Inner Arm Assembly	FJ7150-2	66	Locking Latch Sheave	FJ7322
17	Stop Bolt	FC576	67	Truarc Klip #5304-37 for 3/8" Shaft	2 REQ'D
18	5/16" Plain Washer	4 REQ'D	68	Hose Clip (4 Req'd—Overhead)	FJ7206
19	High Step Adapter	FJ671-1	69	Pipe Clip (6 Req'd—Columns)	FJ7669
20	Low Step Adapter	FJ671-2	70	#10 — 24NC x 3/8" Lg. Slotted HHTS (For Overhead)	4 REQ'D
21	Optional Rubber Adapter	FJ697			
22	Adapter Pin	FJ671-3			
23	3/32" Hog Ring For 1/2" Shaft (8 REQ'D)	FJ671-6			
24	Adapter Swivel Pin	FJ79-6	71	1/4"-20NC x 3/4"Lg.HHCS, Grades.	4 REQ'D
25	Bleeder Screw MF	2 REQ'D	72	1/4"-20NC Flanged Locknut	4 REQ'D
26	Carriage Bumper (6" Lg.— 2 Req'd)	FJ7391-2	73	3/8"-16NC x 3/8"Lg.Flanged HHCS	12 REQ'D
27	Arm Pin	FJ7152	KIT	***Front Arm Restraint Kit	FJ7524
28	Approach Bumper (Door-18" Lg—2 Req'd)	FJ7391-1	KIT	**Rear Arm Restraint Kit	FJ7523
29	1/2" — 13NC Hex Locknut MacLEAN—FOGG #29TWA1213	4 REQ'D	KIT	Upper sheave kit (4sheaves,2-shafts)	FJ7497
30	3/16" x 2" Lg. Cotter Pin	4 REQ'D			
31	Truarc #5304-75 Klipping for 3/4" Shaft	2 REQ'D			
32	Sheave	FJ7116-1			
33	Wheel Spotting Dish	FF729			
34	1/8" x 3/4" Long Cotter Pin	8 REQ'D			
35	Clevis Pin — Arm	FJ7233-22			
36	Clevis Pin — Yoke	FJ7359-5			
37	Front Rod	FJ7366-5			
38	Rear Rod	FJ7233-27			
39	Front Outer Tube	FJ7366-3			
40	Rear Outer Tube	FJ7366-1			
41	Plunger	FJ7233-25			
42	Ball Handle	FC134-91			
43	Spring	FC134-89			
44	Slider Block	FJ7360			
45	3/4" Concrete Anchor (14 Req'd)	FJ7380			
46	1 1/2" O.D. x .760 / .770" I.D. x .045" Thick Machine Bushing Washer	2 REQ'D			
47	U-Bolt	FJ7448-1			
48	1/4" — 20NC Hex Nut	8 REQ'D			
49	1/8" x 1" Lg. Cotter Pin	1 REQ'D			

\* Includes Item #'s: 19, 20, 22, 23 & 24

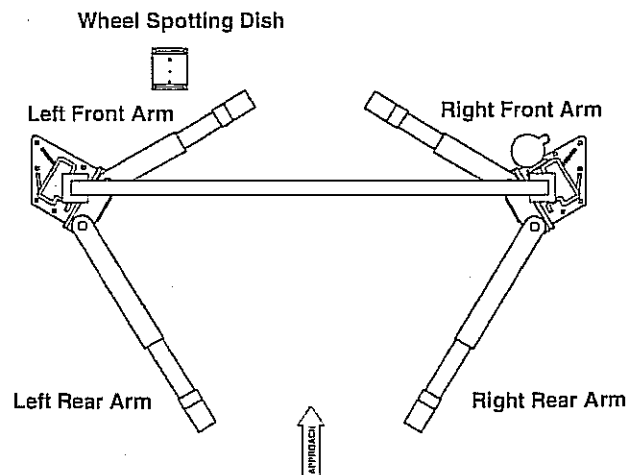
\*\* (Includes Item #'s: 34, 35, 36, 38, 40, 41, 42 & 43)

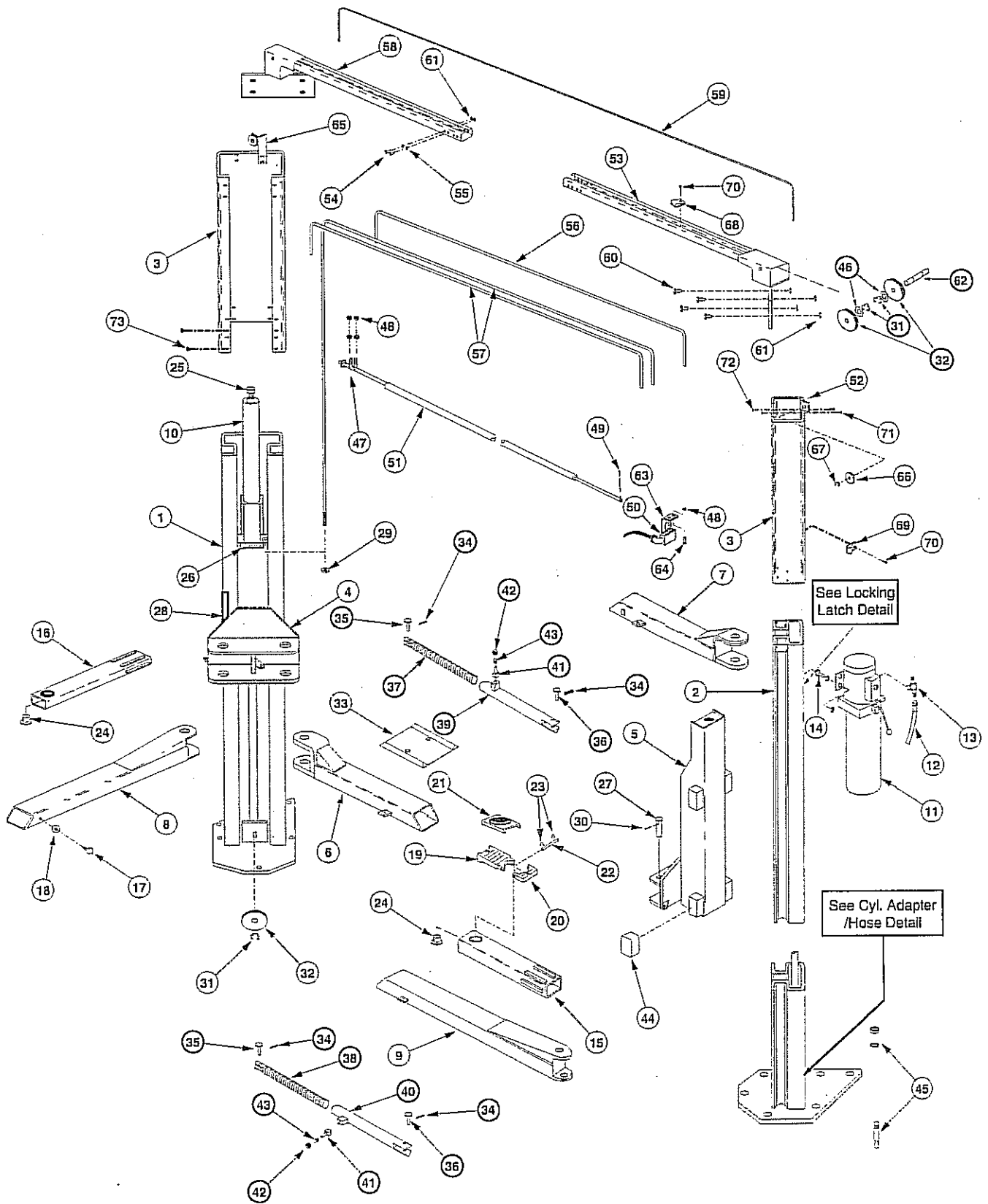
\*\*\* (Includes Item #'s: 34, 35, 36, 37, 39, 41, 42 & 43)

† Includes Item #'s: 31, 32, 46, 62

†† Includes Item #'s: 63

‡ Includes item #'s: 31,32,46 & 62

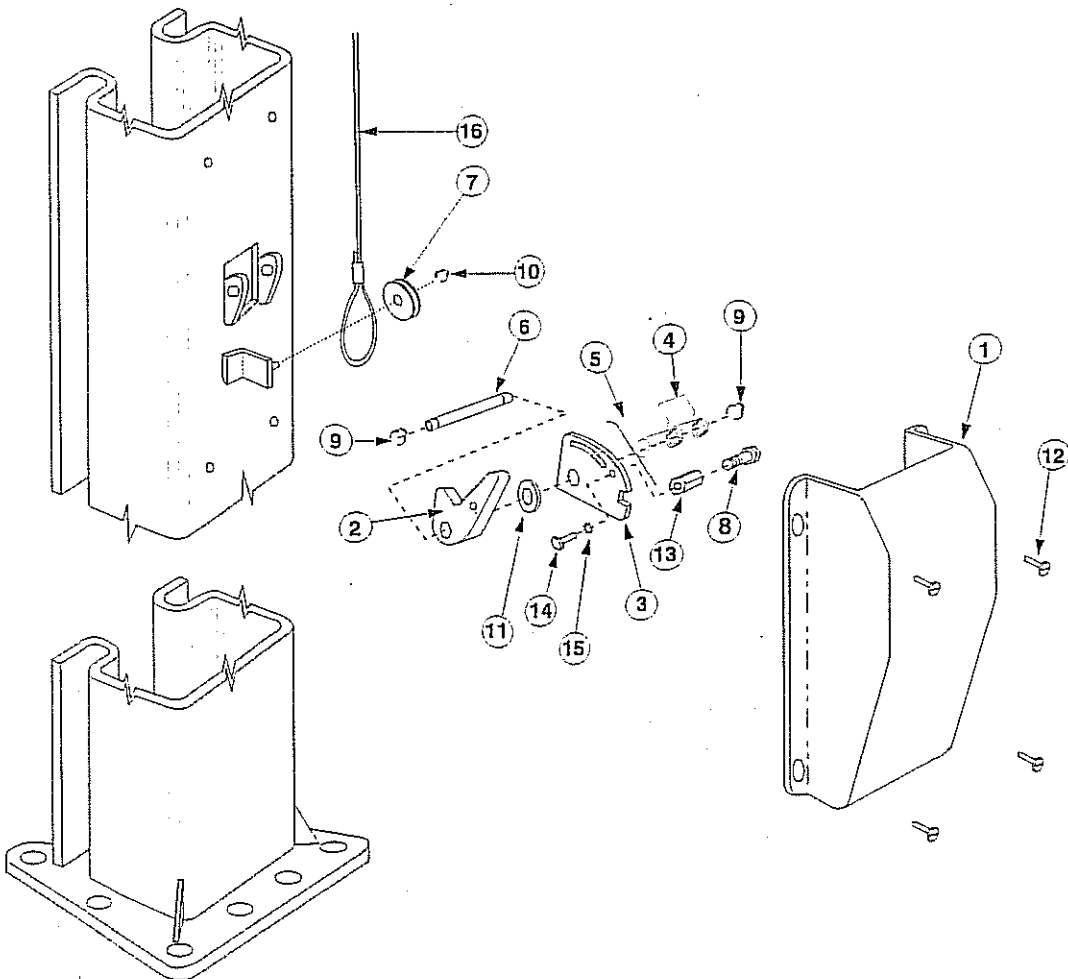




# LEFT COLUMN

LOCKING LATCH DETAIL PARTS LIST		
ITEM NO.	DESCRIPTION	PART NO.
1	Latch Cover	FJ7451
2	Locking Latch Dog	FJ7382-7
3	Control Plate	FJ7382-5
4	Spring	FJ7382-2
5	Spring	FJ7382-9
6	Latch Shaft	FJ7382-3
7	Locking Latch Sheave	FJ7322
8	Shoulder Bolt 5/16" x 1/2"-1/4"-20NC	1 REQ'D
9	Truarc Kilpring #5304-75 for 3/4" Shaft	2 REQ'D
10	Truarc Kilpring #5304-37 for 3/8" Shaft	2 REQ'D
11	1 1/2" O.D. x 3/4" I.D. x .045" Mach. Bush.	1 REQ'D
12	5/16" — 18NC x 3/8" Lg. Slotted Pan Hd. Screw	4 REQ'D
13	Coupling Nut 1/4"-20NC	1 REQ'D
14	1/4"-20NC HHCS x 1/2"	1 REQ'D
15	1/4" External Tooth Lockwasher	1 REQ'D
16	Latch Cable	FJ7594-1

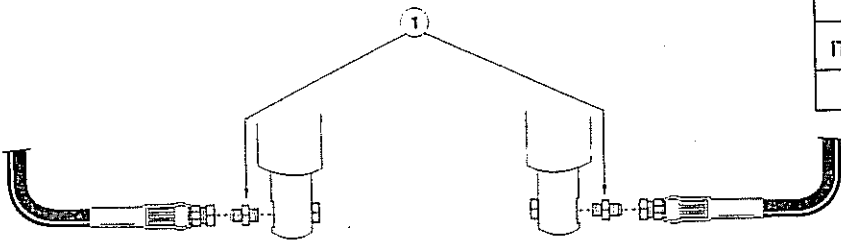
Latch Control Plate Assembly FJ7594-2



# CYLINDER ADAPTER / HOSE DETAIL

## CYLINDER ADAPTER/HOSE DETAIL PARTS LIST

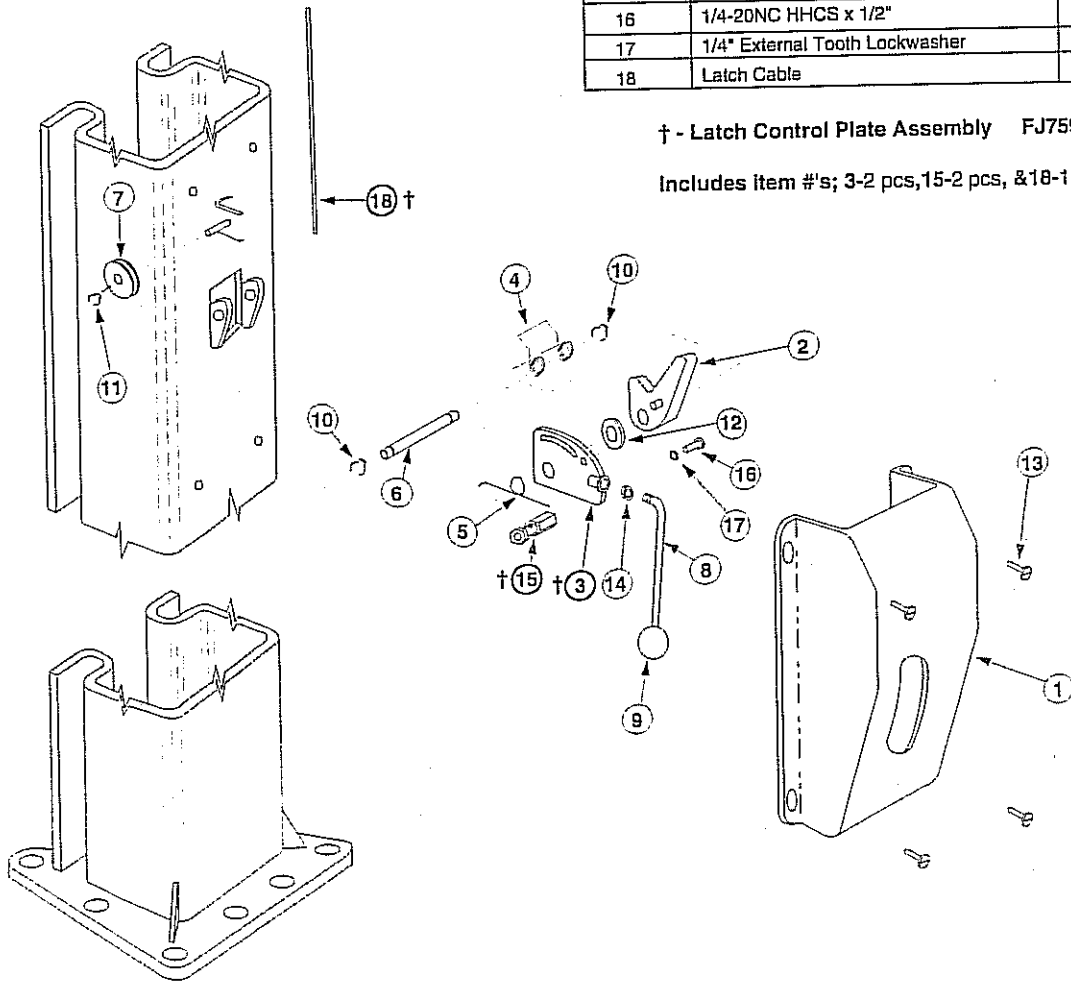
ITEM NO.	DESCRIPTION	PART NO.
1	Straight Adapter	FJ7352-3



# RIGHT COLUMN

## LOCKING LATCH DETAIL PARTS LIST

ITEM NO.	DESCRIPTION	PART NO.
1	Control Side Cover	FJ7452
2	Locking Latch Dog	FJ7382-7
3	Control Plate	FJ7594-2
4	Spring	FJ7382-2
5	Spring	FJ7382-9
6	Latch Shaft	FJ7382-3
7	Locking Latch Sheave	FJ7322
8	Handle	FJ7382-18
9	Ball Handle	FC134-91
10	Truarc Klipring #5304-75 for 3/4" Shaft	2 REQ'D
11	Truarc Klipring #5304-37 for 3/8" Shaft	2 REQ'D
12	1 1/2" O.D. x 3/4" I.D. x .045" Mach. Bush.	1 REQ'D
13	5/16" — 18NC x 3/8" Lg. Slotted Pan Hd. Screw	4 REQ'D
14	3/8" - 16NC Hex Jam Nut	1 REQ'D
15	Latch Cable Adjuster	FJ7594-3
16	1/4-20NC HHCS x 1/2"	1 REQ'D
17	1/4" External Tooth Lockwasher	1 REQ'D
18	Latch Cable	FJ7594-1



† - Latch Control Plate Assembly FJ7594-2

Includes item #'s; 3-2 pcs, 15-2 pcs, & 18-1 pc