

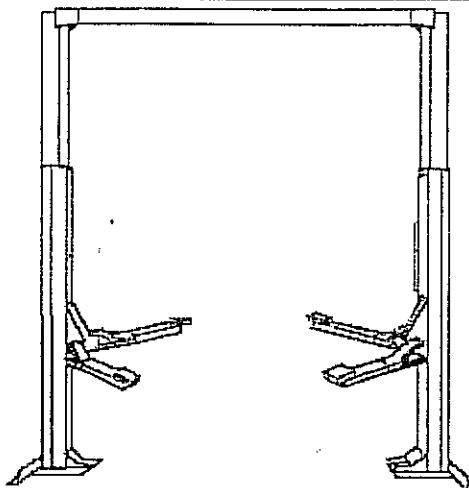
ROTARY LIFT

P.O. Box 30205, Memphis, TN 38130

WORLD LEADER IN LIFT SYSTEMS

A **DOVIR** INDUSTRIES COMPANY

MODEL SPO84 PARTS BREAKDOWN



REPLACEMENT PARTS

ITEM NO.	DESCRIPTION	PART NO.	ITEM NO.	DESCRIPTION	PART NO.
1	R.H. Column	FJ7291	28	Arm Pin	FJ730-4
2	L.H. Column	FJ7290	29	1/4"-20NC HHCS x 3/4" Lg.	4 REQ'D
3	Cable Housing	FJ7108-1	30	1/4"-20NC Hex Nut, 1/4" LW	4 EA. REQ'D
4	Column Extension	FJ7104	31	3/8"-16NC HHCS x 1 1/4" Lg.	4 REQ'D
5	Power Unit	P502	32	3/8" Hex Nut, 3/8" Ext. Tooth LW	4 EA. REQ'D
6	R.F. Swinging Arm	FJ7240	33	3/8"-16NC HHCS x 3/4" Lg.	16 REQ'D
	R.R. Swinging Arm	FJ7239	34	3/8"-16NC Hex Nut, 3/8" Ext. Tooth LW	16 REQ'D
7	L.F. Swinging Arm	FJ7241	35	Bleeder Screw MF	2 REQ'D
	L.R. Swinging Arm	FJ7238	36	Switch Bar	FJ7108-7-1-1
7a	Adapter Assembly *	FJ775	37	Cylinder Adapter	FJ741-7
8	Hydraulic Cylinder	FJ7211	38	3/4" Anchor Bolt (16 Req'd)	FJ7380
9	Carriage Yoke	FJ72243	39	1/4"-20NC x 2" Lg. HS HHCS	2 REQ'D
10	Long Cushion	FJ7108-7-1-2	40	1/2"-13NC Hex Nut, 1/2"-13NC Hex Jam Nut	4 EA. REQ'D
11	Equalizer Cable	FJ7101	41	1/8"x 1" Long Cotter Pin	FJ7108-7-4
12	Optional Rubber Pad Adapter@	FJ697	42	5/16"-18NC HHCS x 3/4" Lg. HHCS	4 REQ'D
13	Overhead Hose	FJ86	43	5/16" Hex Nut	4 REQ'D
14	Locking Latch Kit	FJ748	44	3/4" Washer	FJ7108-7-3
15	Sheave	FJ7116-1	45	1/2"-13NC x 3/4" Lg. HHCS	8 REQ'D
16	Sheave Kit	FJ7109	46	Left Hand Outer Tube	FJ7233-7
17	Wheel Spotting Dish	FF729		Right Hand Outer Tube	FJ7233-11
18	Power Unit Hose	FJ7191	47	Rod	FJ7233-27
19	Sliding Base	FJ775-1	48	Plunger Assembly	FJ7233-25
20	Overhead Switch Assembly <i>FJ7808</i>	FJ7108-2	49	Spring	FC134-9-7
21	Safety Switch Bracket <i>IC</i>	FJ7108-7-2	50	Ball Handle	FC134-9-10
22	High Step Adapter	FJ671-1	51	Clevis Pin	FJ7233-22
23	Low Step Adapter	FJ671-2	52	1/8" x 1" Cotter Pin	8 REQ'D
24	Adapter Pin	FJ671-3	53	Left Hand Arm Restraint **	FJ7516
24a	3/32" Hog Ring For 1/2" Shaft	FJ671-6		Right Hand Arm Restraint **	FJ7517
25	Swivel Pin	FJ671-5	54	Optional High Step Rubber Pad Adapter@	FJ698
26	Foam Tape	FJ761-4	55	Optional Truck and Van Adapter@	FJ696
27	Slider Block	FJ7236			

* Adapter Assembly Includes Items 19, 22-25

@ Order 4 per lift.

** Arm Restraint Assembly Includes Items 46-52

OWNERS RECORD

Complete information
at right and keep in
a safe place.

Date Installed _____

Installed in Bay # _____

Std. Serial # _____ P502

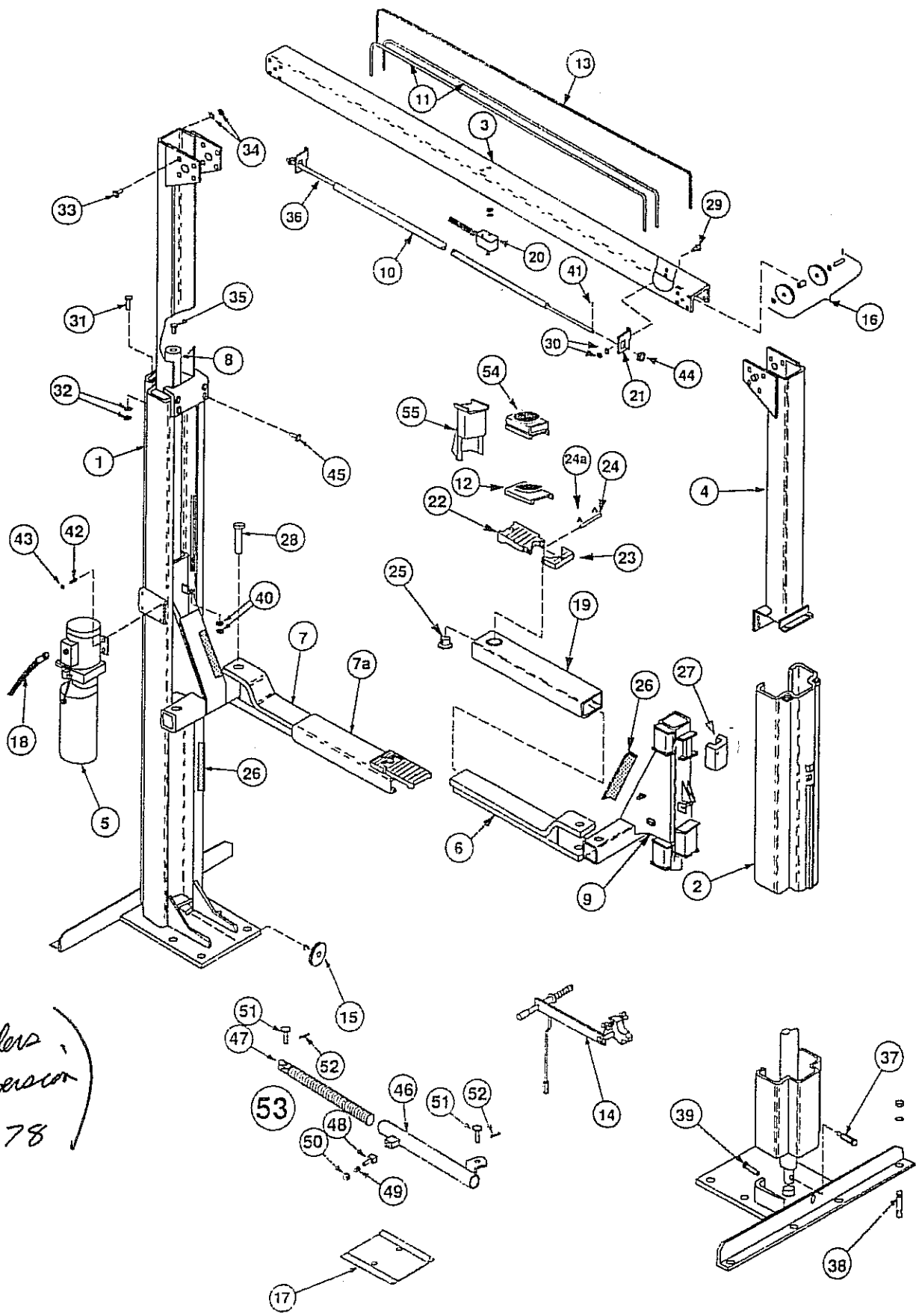
3 ph. Serial # _____ P504

Factory Order # L _____

IMPORTANT: When ordering parts
always give exact model and power
unit serial number. Model number is
shown on nameplate attached to
base angle. Serial number is located
on side of power unit reservoir.

NOTE: For Replacement Parts - See Your Nearest Rotary Distributor Or Parts Depot.

INDEX 2.2.1



Rollers
Conversion
EJ7278

ROTARY LIFT
A DOVER INDUSTRIES COMPANY

ROTARY LIFT
A DOVER INDUSTRIES COMPANY
P.O. Box 30205, Airport Station
Memphis, TN 38130
Phone toll-free 1-800-445-LIFT (5438)
(901) 345-2500
FAX: (901) 332-4250

For Export:
ROTARY LIFT EXPORT COMPANY
200 Executive Drive, Suite 320
West Orange, NJ 07052
(201) 325-0638
Telex #13-8690

For Canada:
DOVER CANADA
130 Bridgeland Avenue
Toronto, Ontario, Canada M6A 1Z4
(416) 256-4100
FAX: (416) 256-3924

INDEX 2.2.1