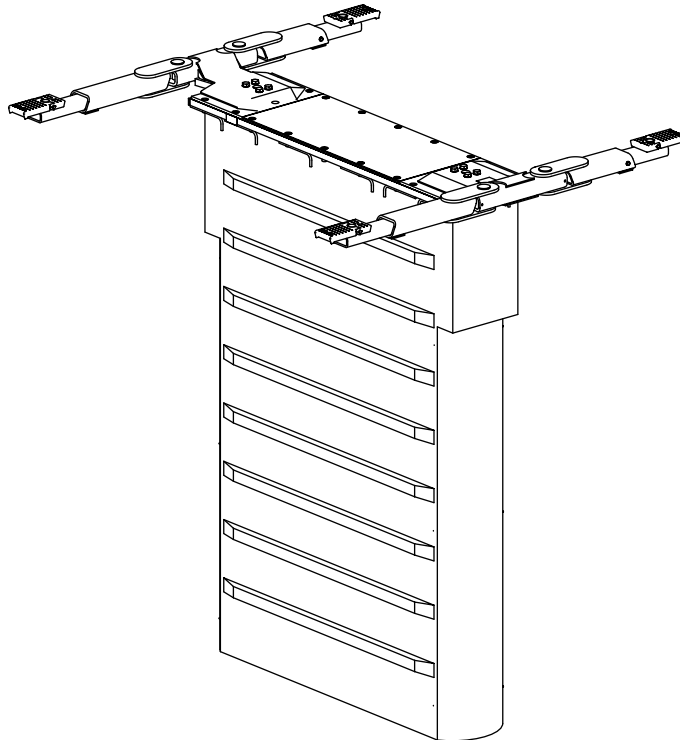




P  
A  
R  
T  
S  
  
B  
R  
E  
A  
K  
D  
O  
W  
N

# SL29i Inbay 1.5

Two Plunger Frame Engaging Lift  
(300 Series with LDS)



**IMPORTANT:** When ordering parts or requesting service always give exact model and power unit serial number. Model number is shown on nameplate attached to air lock release valve. Power unit serial number is located on side of power unit.

**OWNERS RECORD**  
Complete information at right and keep in a safe place.

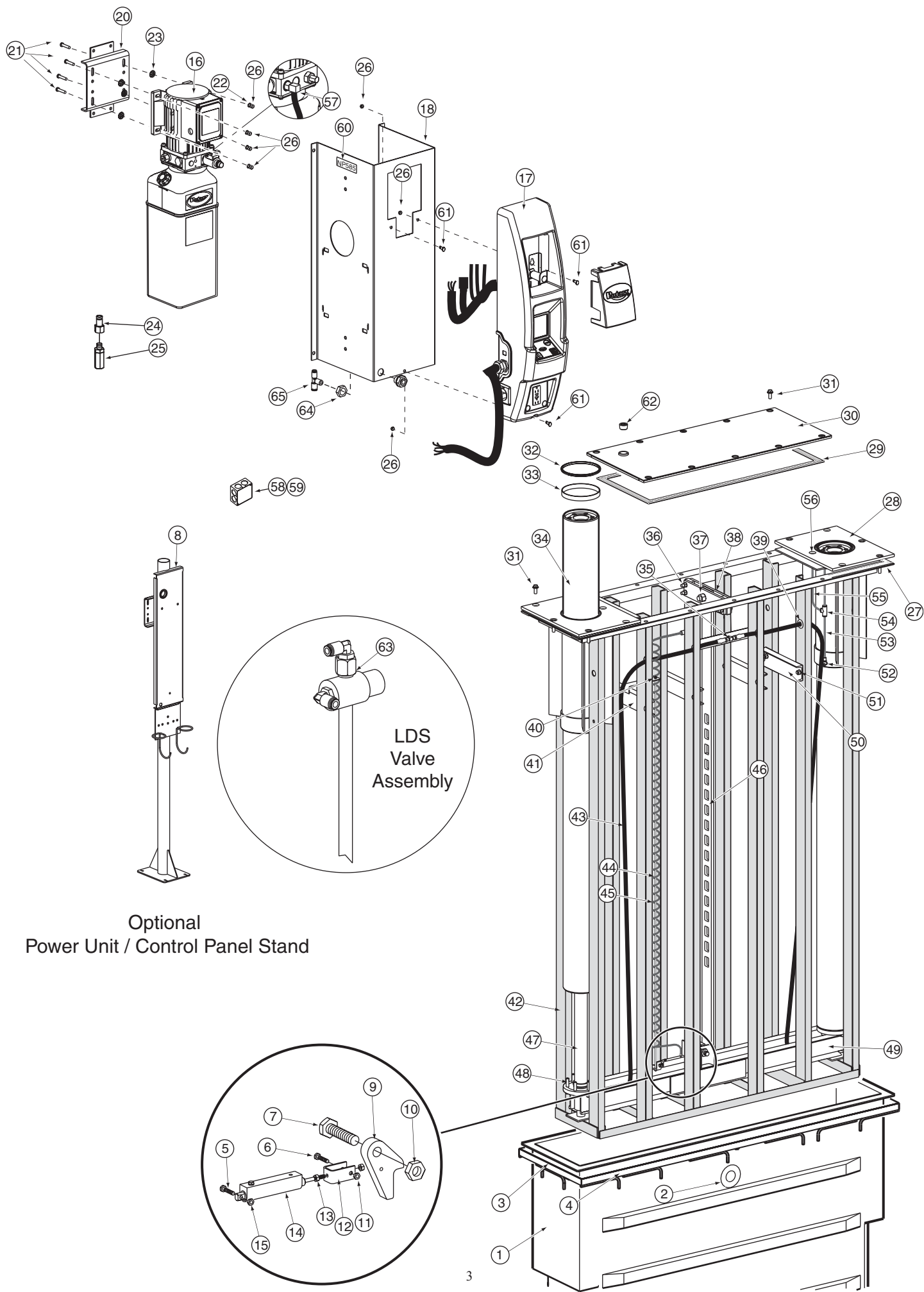
Date Installed \_\_\_\_\_  
 Installed in Bay # \_\_\_\_\_  
 Power Unit Serial # \_\_\_\_\_  
 Power Unit Model # \_\_\_\_\_  
 Lift Serial # \_\_\_\_\_  
 Lift Model # \_\_\_\_\_

**NOTE:** For replacement parts -See your nearest Rotary Parts Distributor.

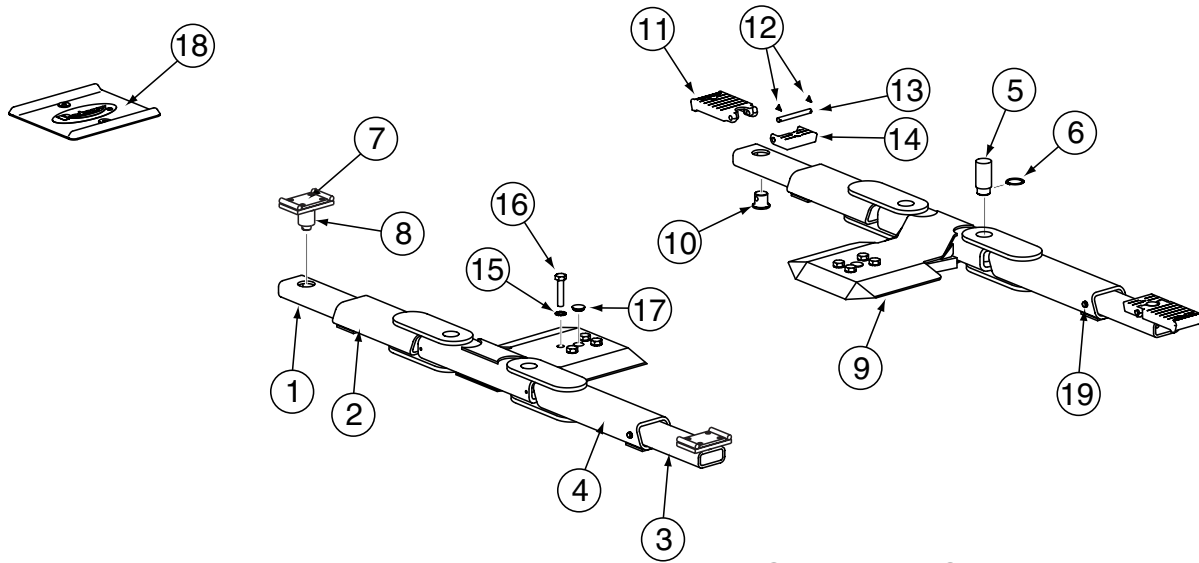
**PB 5-38-1-3**  
Rev. A 11/12/2004

1	Containment Tube	T130016
2	Uniseal	T140023
3	Concrete Anchor Frame (end section)	T120207
4	Concrete Anchor Frame (side section)	T120198
5	1/4"-20NC x 1-1/4" HHCS	40115
6	1/4"-20NC x 1-1/2" HHCS	40110
7	3/4"-10NC x 5" HHCS Plated Grade 5	40456
8	Power Unit / Control Panel Stand Assembly	T110165
9	Locking Latch	T130015
10	3/4"-10NC Nylon Insert Locknut	40790
11	1/4"-20NC Nylon Insert Locknut	40642
12	Clevis	T130014
13	1/4"-28NF Hex Nut	40611
14	Air Cylinder	T140062
15	1/4"-20NC Nylon Insert Locknut	40642
16	Power Unit	
	Single Phase	P1368
	Three Phase	P1369
17	Control Panel	
	Single Phase	FA7242
	Three Phase	FA7276
18	Power Unit Cover	T130309
19	N/A	N/A
20	Power Unit Wall Bracket	T120020
21	5/16"-18NC x 1-1/2" HHCS Zinc Plated	40271
22	5/16" Ext. Tooth Lock Washer Plated	40854
23	5/16" Push Nut	FC5209
24	1/4" Push-In 1/4" NPT Female Fitting	T140081
25	Filter	FA3134-12
26	5/16"-18NC Hex Nut	40670
27	End Gasket	T140106
28	Guide Assembly	T110071
29	Center gasket	T140105
30	Cover Plate	T120190
31	1/2"-13NC x 2" Self Tap Flange Head Screw	40268
32	Wiper	T140076
33	Bearing	T140085
34	Plunger	T120099
35	Bulkhead Union "T" Adapter	T140010
36	1/2"-13NC x 2-1/2" HHCS	40338
	1/2"-13NC Lock Nut	40704
37	7/8"-9NC x 2-1/2" HHCS	40497
	7/8"-9NC Hex Nut	40765
	7/8" External Tooth Lockwasher	41070
38	Latch Bar Plate	T130003
39	Grommet	FC5802-12
40	1/4"-20NC Hex Jam Nut	40640
41	Air Coil Rod Bracket Assembly	T120121
42	Frame	T120180
43	Hydraulic Oil Hose	T140100
44	Air Coil Hose Rod	T130260
45	Recoil Hose 3/16"	T140096
46	Latch Bar	T130270
47	Hydraulic Cylinder	N380
	Bleeder Screw (specify manufacturer)	N/A
48	1/2"-13NC x 2-1/2" Socket Head Cap Screw	40313
	1/2" Helical Spring Lockwasher Plated	40915
49	Equalizer	T120177
50	Short Tie Channel	T130005
51	1/2"-13NC x 1" HHCS Grade 5	40261
	1/2"-13NC Lock Nut	40704
52	Male Elbow Connector	FA3134-6

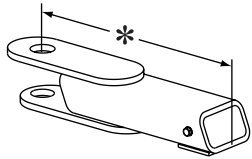
53	1/4" Nylon Tube 9-1/2" long	T130189
54	Union Tee	FC5225-46
55	1/4" Nylon Tube 11-1/8" long	T130191
56	Male Connector	FC5225-47
	Grease/Zerk Fitting	T140007
57	Elbow	FJ7224
58	Junction Box	FA925
59	Junction Box Lid Assembly	FA925-4
60	Mutiple Power Source Label	NP585
61	5/16"-18NC x 3/4 HHCS	40224
62	CSK Pipe Plug	12011
63	LDS Valve Assembly	T110141
64	Female Bulkhead	FC147-1
65	Reducing Male Branch Tee	T140153



# SL29i Swing Arm Superstructure Detail



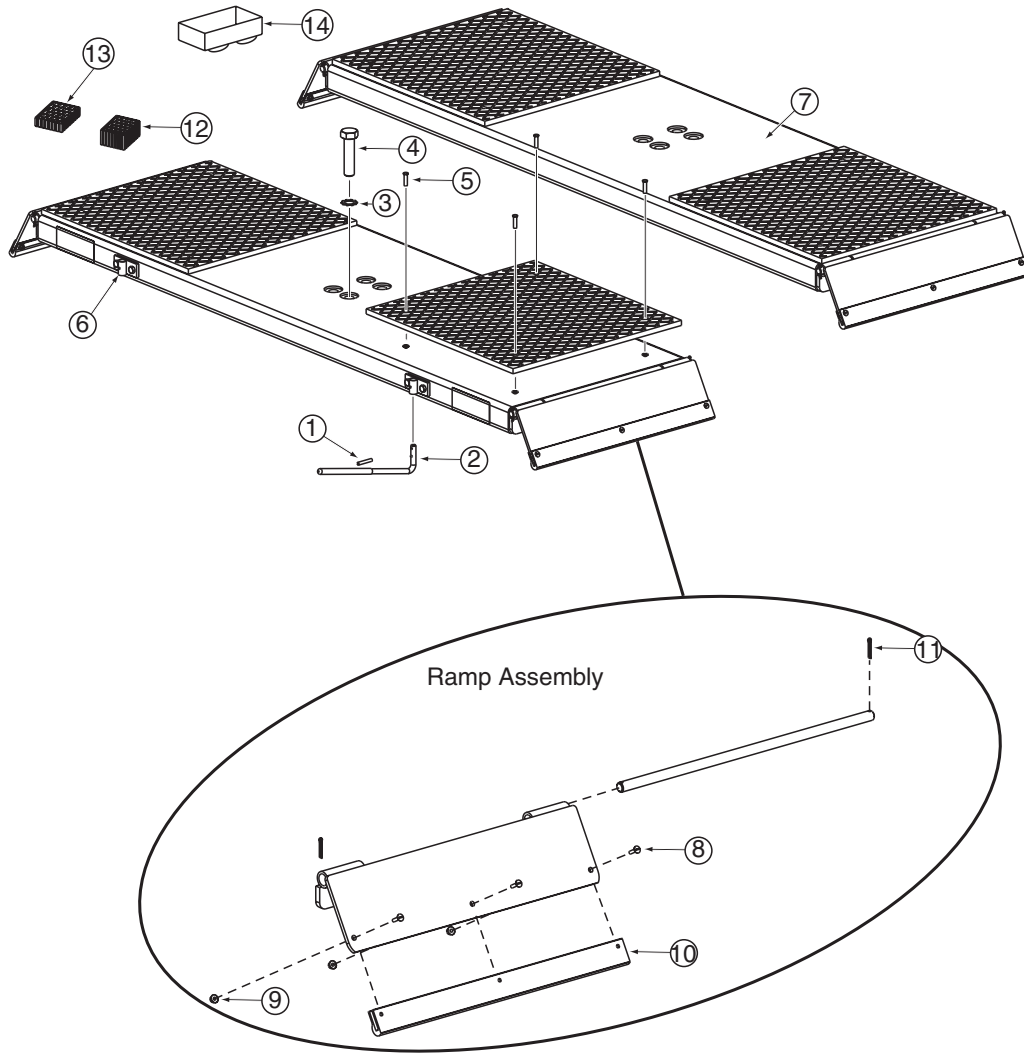
Swing Arm Superstructure



\* Short Arm distance = 18-1/2"  
Long Arm distance = 23-1/2"

ITEM	DESCRIPTION	PART #
1	*Short Inner Arm (Rubber Pad Adapters)	T120143
	*Short Inner Arm (Flip-Up Adapters)	T120142
2	*Short Outer Arm	T120141
3	*Long Inner Arm (Rubber Pad Adapters)	FJ7866-1
	*Long Inner Arm (Flip-Up Adapters)	FJ7150-2
4	*Long Outer Arm	T120138
5	Arm Pin	T140114
6	Rotor Clip	T140115
7	Rubber Pad	FJ6158-4
8	Adapter Assembly	FJ6159
9	Yoke	T120098
10	Adapter Swivel Pin	FJ79-6
11	High Step Adapter	FJ671-1
12	3/32" Hog Ring for 1/2" Shaft	FJ671-6
13	Adapter Pin	FJ671-3
14	Low Step Adapter	FJ671-2
15	3/4" External Tooth Lockwasher	40995
16	3/4"-10NC x 3" HHCS Grade 5	40470
17	Plug Button	T140014
18	Wheel Spotting Dish Kit	FF729
19	3/8"-16NC x 5/8" HHCS Grade 8 Plated	40155
	3/8" Internal Tooth Lockwasher	40843

# SL29i Fixed Pad Superstructure Detail



ITEM#	DESCRIPTION	PART#
1	1/4" Roll Pin .....	14220
2	Tire Hanger Rod .....	FA5925
3	3/4" External Tooth Lockwasher, Plated ...	40995
4	3/4"-10NC x 3" HHCS, Grd 5, Plated .....	40470
5	1/4" x .475" Blind Pop Rivets .....	40174
6	Bracket .....	T120204
	5/16"-18NC x 1 HHCS, Grd 5, Plated .....	40221
	5/16"-18NC Flanged Lock Nut .....	40671
7	Pad Weldment .....	T120205
8	#10-24NC x 3/4" SLTRUSSHMS PLated ..	40050
9	#10-24NC FI Whizlock Nut Plated .....	40633
10	20" Chock Slide .....	FC134-33
11	5/32" x 1" Cotter Pin .....	41202
12	3" Rubber Adapter Pad .....	FJ2428
13	1-1/2" Rubber Adapter Pad .....	FJ2427
14	Magnetic Tray .....	FA5921

**This page intentionally left blank**

**This page intentionally left blank**

**Installer:** Please return this booklet to literature package, and give to lift owner/operator.

*Thank You*

**Trained Operators and Regular Maintenance Ensures Satisfactory Performance of Your Rotary Lift.**

**Contact Your Nearest Authorized Rotary Parts Distributor for Genuine Rotary Replacement Parts. See Literature Package for Parts Breakdown.**

**Rotary World Headquarters**

2700 Lanier Drive  
Madison, IN 47250, USA  
www.rotarylif.com

**North America Contact Information**

Tech. Support: p 800.445.5438  
f 800.578.5438  
e userlink@rotarylif.com  
Sales: p 800.640.5438  
f 800.578.5438  
e userlink@rotarylif.com

**World Wide Contact Information**

World Headquarters/USA: 1.812.273.1622  
Canada: 1.905.812.9920  
European Headquarters/Germany: +49.771.9233.0  
United Kingdom: +44.178.747.7711  
Australasia: +60.3.7660.0285  
Latin America / Caribbean: +54.3488.431.608  
Middle East / Africa: 1.812.273.1622

© Rotary®, Printed in U.S.A., All Rights Reserved. Unless otherwise indicated, ROTARY, DOVER and all other trademarks are property of Dover Corporation and its affiliates.



A **DOVER** COMPANY

