



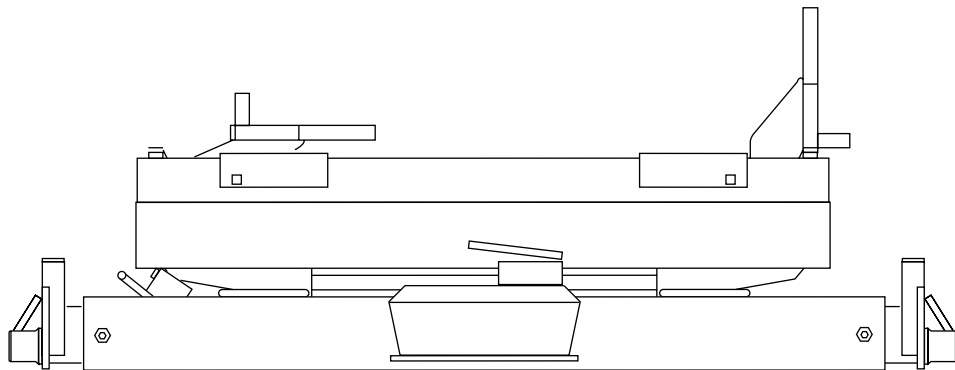
World Leader in Lift Productivity



**Genuine
PARTS**

FC5710-75

Rolling Jack



**P
A
R
T
S

B
R
E
A
K
D
O
W
N**

IMPORTANT: When ordering parts or requesting service always give exact model and serial numbers. Model and serial numbers are shown on nameplate attached to jack and also on pump.

OWNERS RECORD
Complete information
at right and keep in
a safe place.

Date Installed _____

Installed in Bay # _____

Pump Serial # _____

Pump Model # _____

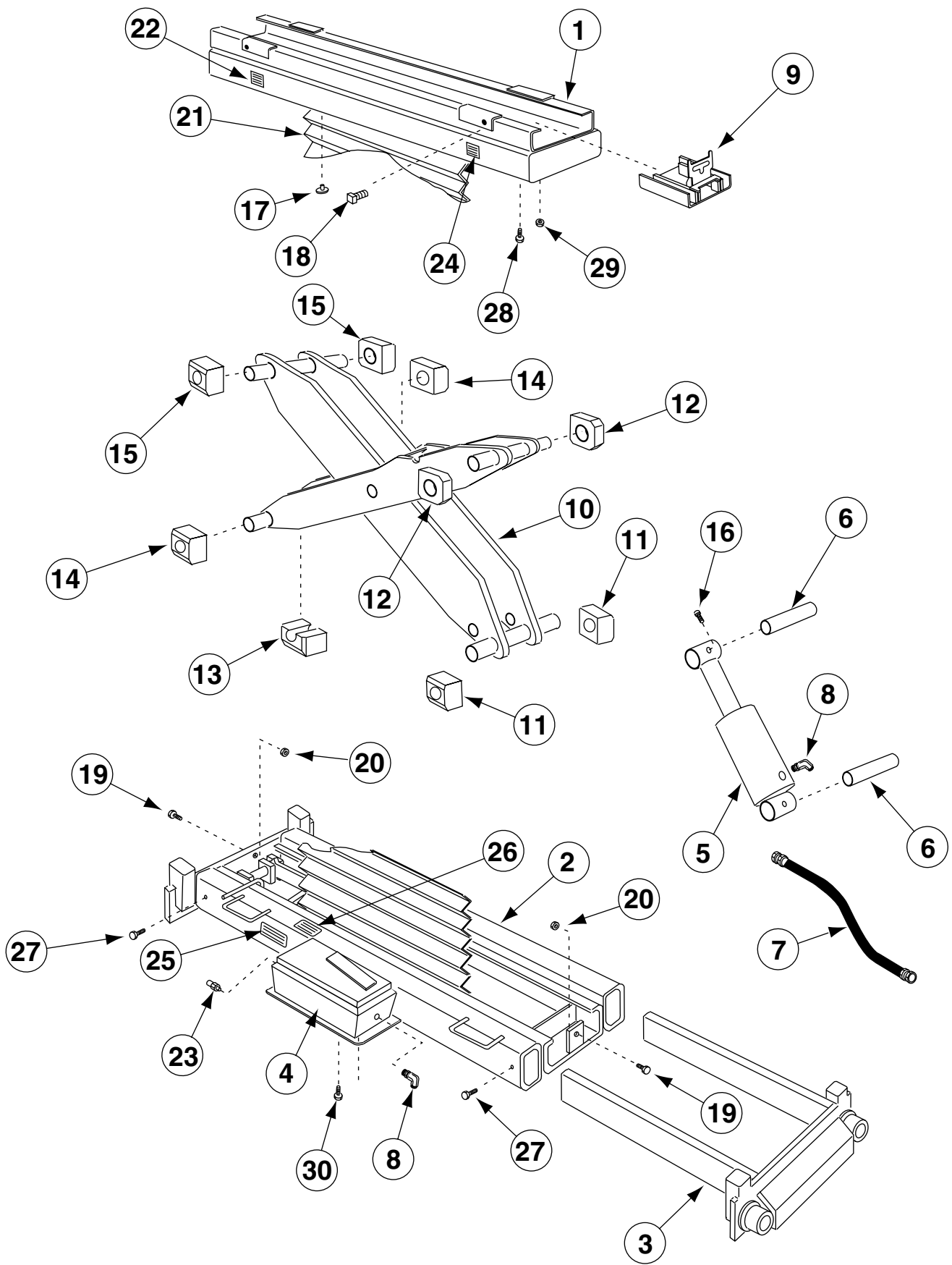
Lift Serial # _____

Lift Model # _____

NOTE: For replacement parts -See your nearest Rotary Parts Distributor.

PB 25-2-5

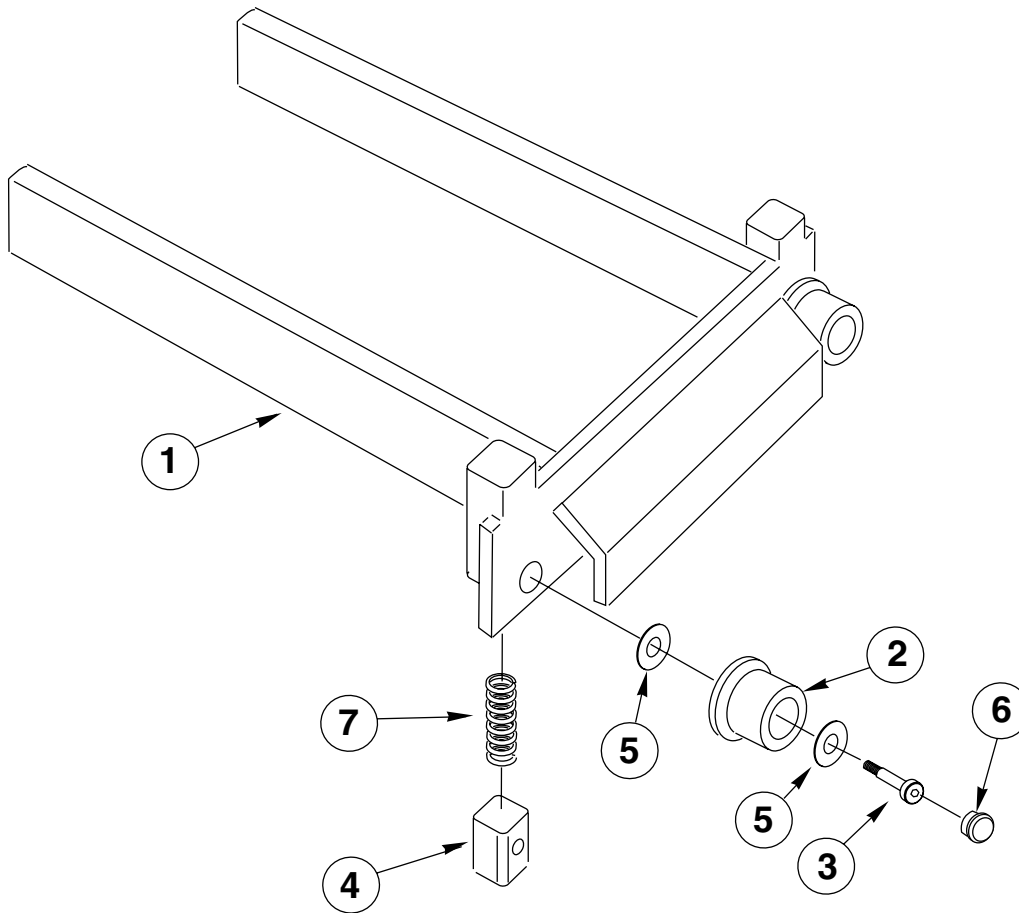
Rev. E 12/26/2002



FC5710-75 REPLACEMENT PARTS

ITEM NO.	DESCRIPTION	QTY.	PART NO.
1	Upper Channel	1	FC5722
2	Lower Channel	1	FC5720
3	Telescoping End Section Assembly (see End Section breakdown)	2	FC5718
4	Pump	1	FC5949
5	Cylinder	1	FC5711-1
6	Cylinder Shaft	2	FC5711-2
7	Hose	1	FC5110
8	Elbow	2	FC5185-45
9	Adapter	2	FC5791
10	Link Structure	1	FC5715
11	Pillow Block Assy.	2	FC5723
12	Pillow Block Assy.	2	FC5711-6
13	Slider Block	1	FC5711-7
14	Slider Block	2	FC5711-5
15	Slider Block	2	FC5711-4
16	1/4"-20NC x 1/4" Lg. Set Screw	2	40042
17	Retainer	16	FC5185-69
18	Stop Bolt	4	FD242-3
19	1/2"-13NC x 4-1/2" Lg. HHCS (wide runway setting)	2	40334
	1/2"-13NC x 1-1/2" Lg. HHCS (narrow runway setting)		40300
20	1/2"-13NC Nut	2	40680
21	Guard Assembly	2	FC5144-1
22	Caution Decal	1	NP207
23	Half Coupling	1	NP93
24	Caution Decal	1	NP260
25	Op. Instruction Decal	1	NP310
26	Capacity Decal	1	NP309
27	1/2"-13NC x 1-1/2" Lg. HHCS	4	40300
28	3/8"-16NC x 1" Lg. HHCS	4	40660
29	3/8"-16NC Hex Nut	4	FC5124-1
30	1/4"-20NC x 3/4" Lg. Tapping Screw	4	40070

Telescoping End Section



END SECTION PARTS			
ITEM NO.	DESCRIPTION	QTY.	PART NO.
1	End Section	1	FC5719
2	Roller	2	FC5717
3	Axle	2	FC67-29
4	Inner Guide	2	FC67-28
5	Bearing	4	FC5277-20
6	Bumper	2	N/A
7	Spring	2	FC5341-29

World Headquarters:
Rotary Lift
 A **DOVER** COMPANY
 2700 Lanier Drive
 Madison, Indiana USA
 Phone: 1.800.445.5438
 Phone: 1.812.273.1622
 Fax: 1.800.578.5438
 Fax: 1.812.273.6502
 userlink@rotarylift.com
 www.rotarylift.com

Italy:
 (Regional Sales Office)
Rotary Lift Europe S.r.l.
 Cadriano (BO)
 Phone: +39.051.763384
 Fax: +39.051.763395
 info@rotaryeurope.com

Germany:
 (European Sales Headquarters)
Rotary Lift Germany GmbH
 Bensheim
 Phone: +49.6251.582.6420
 Fax: +49.6251.582.6422
 sales@rotarylift.de

United Kingdom:
 (Regional Sales Office)
Rotary Lift (UK) LTD.
 Halstead, Essex
 Phone: +44.178.747.7711
 Fax: +44.178.747.7720
 sales@rotarylift.idps.co.uk

Canada:
 (Regional Sales Office)
Rotary Lift Canada
 Mississauga, Ontario
 Phone: 905.812.9920
 Fax: 905.812.9719
 canada@rotarylift.com

Austral-Asia:
 (Regional Sales Office)
Rotary Lift Austral/Asia
 Petaling Jaya, Malaysia
 Phone: +60.3.7660.0285
 Fax: +60.3.7660.0289
 rlim@rotarylift.com

