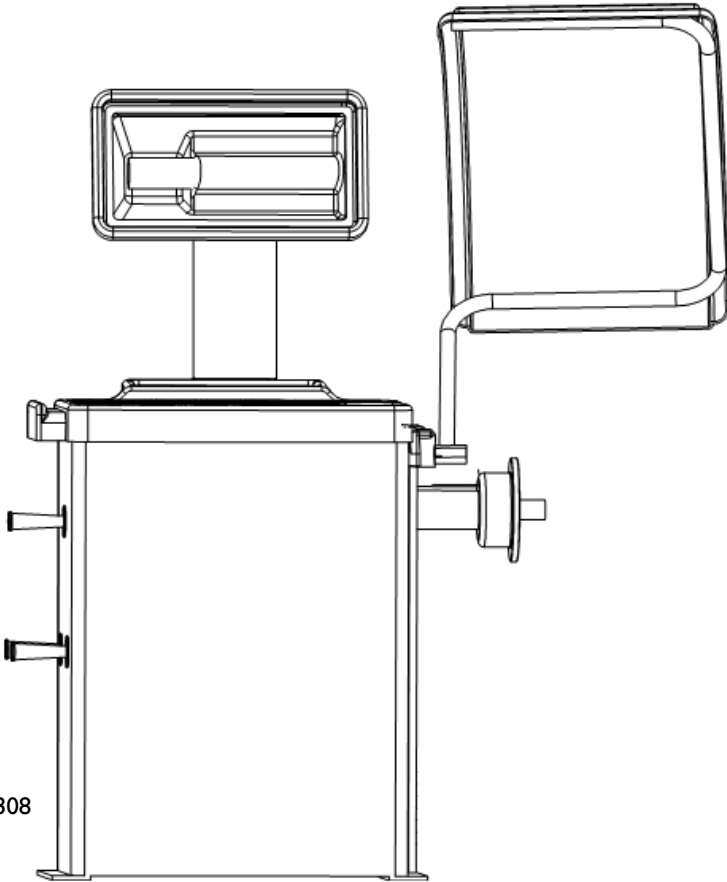


SPARE PARTS LIST

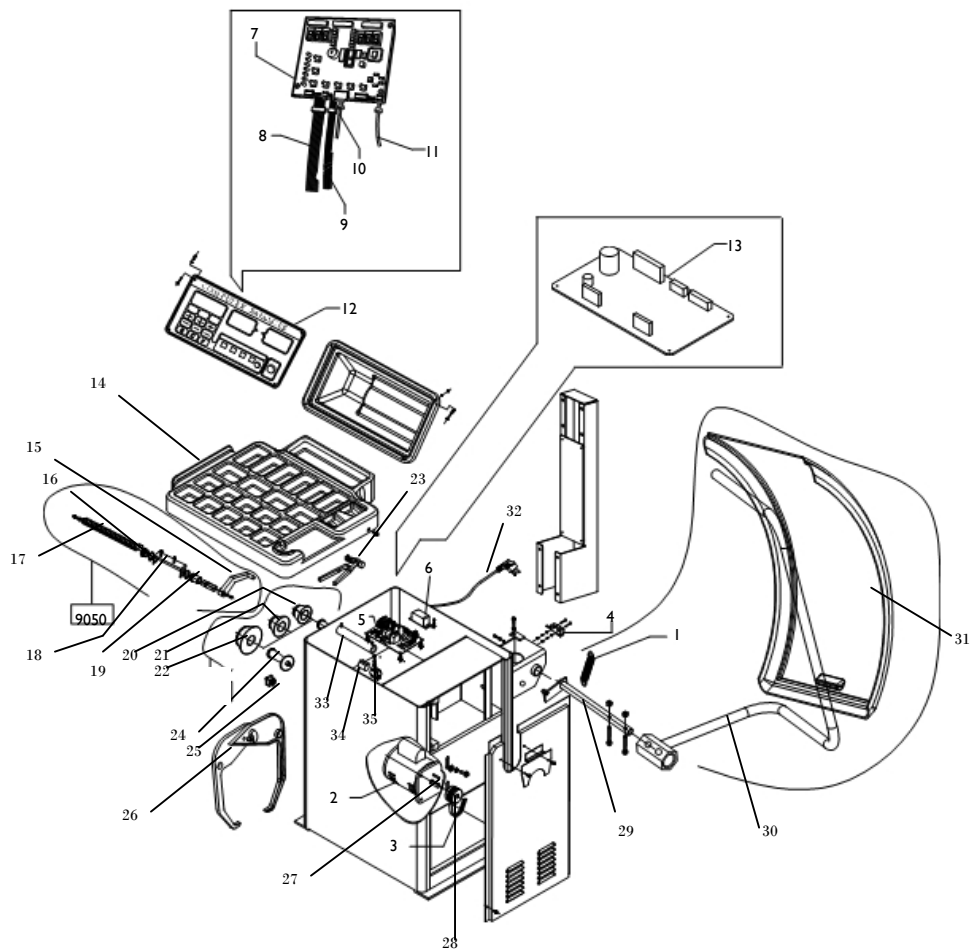
@601 SilverLine Wheel Balancer



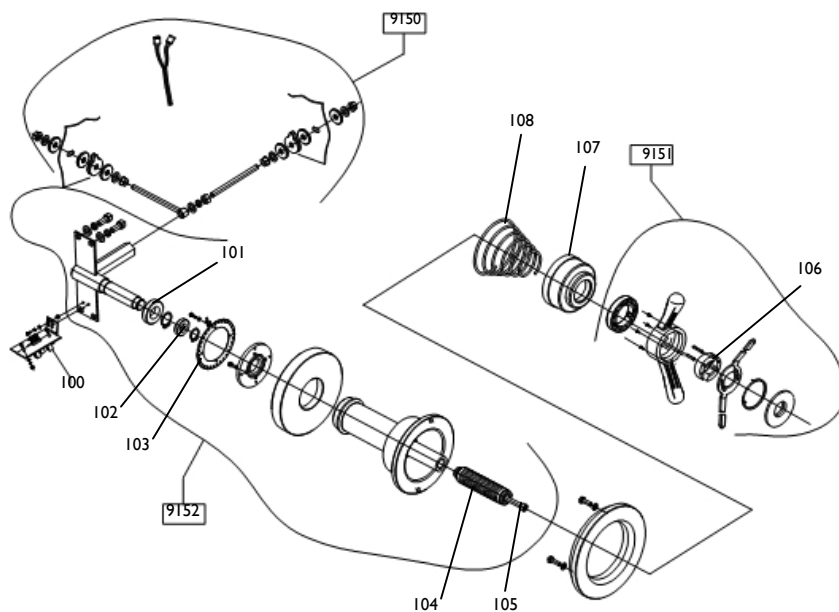
Code

4-107308

Production



| | | |
|------|------------|---|
| 9050 | CB950-A | Internal Distance Arm Assembly |
| 0001 | CB950-112 | Hood Spring |
| 0002 | CB950-102 | Motor |
| 0003 | CB950-105 | Belt |
| 0004 | CB950-126 | Hood Switch |
| 0005 | CB950-135 | Power Board |
| 0006 | CB950-138 | Transformer |
| 0007 | 4-107035 | P.C. Board |
| | 9003-02244 | P.C. Board (old style before serial number CDLxxxx) |
| 0008 | 900453018 | Flat cable |
| 0009 | 900449319 | Flat cable |
| 0010 | 900453016 | Cable |
| 0011 | 4-107037 | Cable |
| 0012 | 4-107038 | Panel |
| | 9003-02245 | Panel (old style before serial number CDLxxxx) |
| 0013 | 4-107036 | P.C. Board |
| 0014 | CB950-152 | Weight Tray |
| 0015 | CB950-162 | Internal Arm |
| 0016 | CB950-168 | Internal Arm Rear Bushing |
| 0017 | CB950-169 | Internal Arm Spring |
| 0018 | CB950-166 | Internal Arm Base |
| 0019 | CB950-164 | Internal Arm Front Bushing |
| 0020 | CB950-155 | Small Cone |
| 0021 | CB950-156 | Medium Cone |
| 0022 | CB950-157 | Large Cone |
| 0023 | CB950-154 | Weight Pliers |
| 0024 | CB950-158 | Accessory Peg |
| 0025 | CB950-159 | On/Off Switch |
| 0026 | CB950-160 | Wheel Caliper |
| 0027 | CB950-103 | Key Way for Motor |
| 0028 | CB950-104 | Motor Pulley |
| 0029 | CB950-117 | Hood Bar Support |
| 0030 | CB950-115 | Hood Bar |
| 0031 | CB950-116 | Hood |
| 0032 | CB950-137 | Power Cable |
| 0033 | CB950-133 | Resistor |
| 0034 | CB950-132 | Insulating Paper |
| 0035 | CB950-131 | Resistor Clamp |



| | | |
|------|------------|------------------------|
| 9150 | CB950B-A | Pickup Sensor Assembly |
| 9151 | CB950B-C | Wing nut Assembly |
| 9152 | CB950B-A | Shaft Assembly |
| 0100 | 9003-02248 | Encoder Board |
| 0101 | CB950B-219 | Bearing |
| 0102 | CB950B-217 | Shaft Bearing |
| 0103 | CB950B-215 | Encoder Wheel |
| 0104 | CB950B-202 | Threaded Shaft |
| 0105 | CB950B-201 | Threaded Shaft Screw |
| 0106 | CB950B-246 | Wing Nut Jaws |
| 0108 | CB950B-251 | Wing Nut Pressure Cup |
| 0109 | CB950B-252 | Backing Spring |