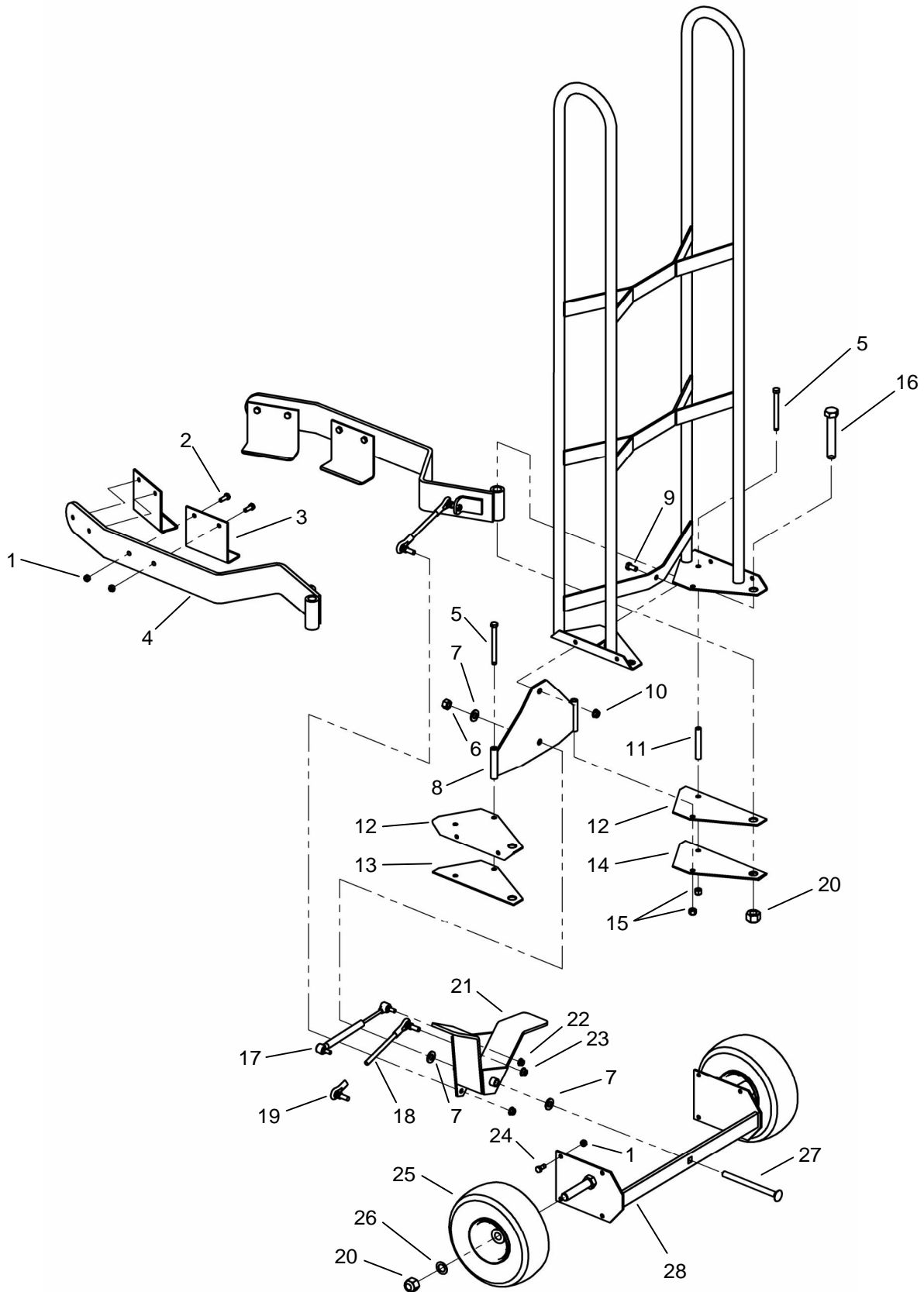




REPAIR PARTS



REPAIR PARTS

ITEM	PART NO	QTY	DESCRIPTION
1	055-145	16	5/16-18 Nylon Hex Lock Nut
2	028-060	8	5/16-18 X 7/8 Hex Head Cap Screw
3	72-0108	4	Tire Rest
4	03-0337	2	Arm
5	028-341	4	3/8-16 X 4 Hex Head Cap Screw
6	055-058	1	1/2-13 By-Way Hex Lock Nut
7	108-044	3	1/2 SAE Flat Washer
8	03-0338	1	Support Plate
9	028-133	1	3/8-16 X 3/4 Hex Head Cap Screw
10	055-103	1	3/8-16 Serrated Flange Hex Lock Nut
11	268-494	2	Spacer Tube
12	046-072	4	Arm Pad
13	111-468	1	Arm Bracket - Left
14	111-469	1	Arm Bracket - Right
15	055-154	4	3/8-16 Nylon Hex Lock Nut
16	028-335	2	3/4-10 X 4-1/2 Hex Head Cap Screw
17	01-0203	1	Gas Spring
18	149-315	2	Threaded Rod
19	107-093	4	Rod End
20	055-157	4	3/4-10 Nylon Hex Lock Nut
21	03-0339	1	Pedal
22	055-105	2	5/16-18 Serrated Flange Hex Lock Nut
23	51-0022	4	3/8-24 Serrated Flange Hex Lock Nut
24	028-012	8	5/16-18 X 3/4 Hex Head Cap Screw
25	106-016	2	Wheel
26	039-002	2	3/4 Machine Bushing
27	50-0100	1	1/2-13 X 6-1/2 Carriage Bolt
28	878-033	1	Wheel Bracket

COMMERCIAL WARRANTY

This product is warranted by BRANICK INDUSTRIES, INC. to the original user-owner against defective materials or workmanship for a period of one year from the date of delivery. During the warranty period, product found to be defective will be repaired or replaced at, BRANICK INDUSTRIES, INC.'s option, without charge. The product must be returned, with prior approval, transportation charges prepaid and with proof of original delivery date, to BRANICK INDUSTRIES, INC., 4245 Main Ave., Fargo, North Dakota 58107. The repaired or replacement product will be returned with transportation charges prepaid by Branick.

This warranty does not cover defects in the product caused by ordinary wear and tear, abuse, misuse, overloading, accident (including shipping damage), improper maintenance, alteration, or any other cause not the result of defective materials or workmanship.

REPAIR OR REPLACEMENT IS THE EXCLUSIVE REMEDY FOR DEFECTIVE PRODUCT UNDER THIS WARRANTY. THIS WARRANTY IS EXPRESSLY IN LIEU OF ALL OTHER WARRANTIES, INCLUDING ANY IMPLIED WARRANTY OF MERCHANTABILITY OR ANY IMPLIED WARRANTY OF FITNESS FOR A PARTICULAR PURPOSE OF THIS PRODUCT. BRANICK INDUSTRIES, INC. SHALL NOT BE LIABLE FOR ANY CONSEQUENTIAL OR INCIDENTAL DAMAGES.

BRANICK INDUSTRIES, INC. reserves the right to make changes in the design or construction of our products without obligation to incorporate such changes in products already sold and without notice.

Service parts, warranty, and regular repair service for products are available from Branick authorized distributors or from:

BRANICK INDUSTRIES, INC.
4245 Main Ave.
Box 1937
Fargo, North Dakota 58107
701/281-8888

Branick®
INDUSTRIES, Inc.