

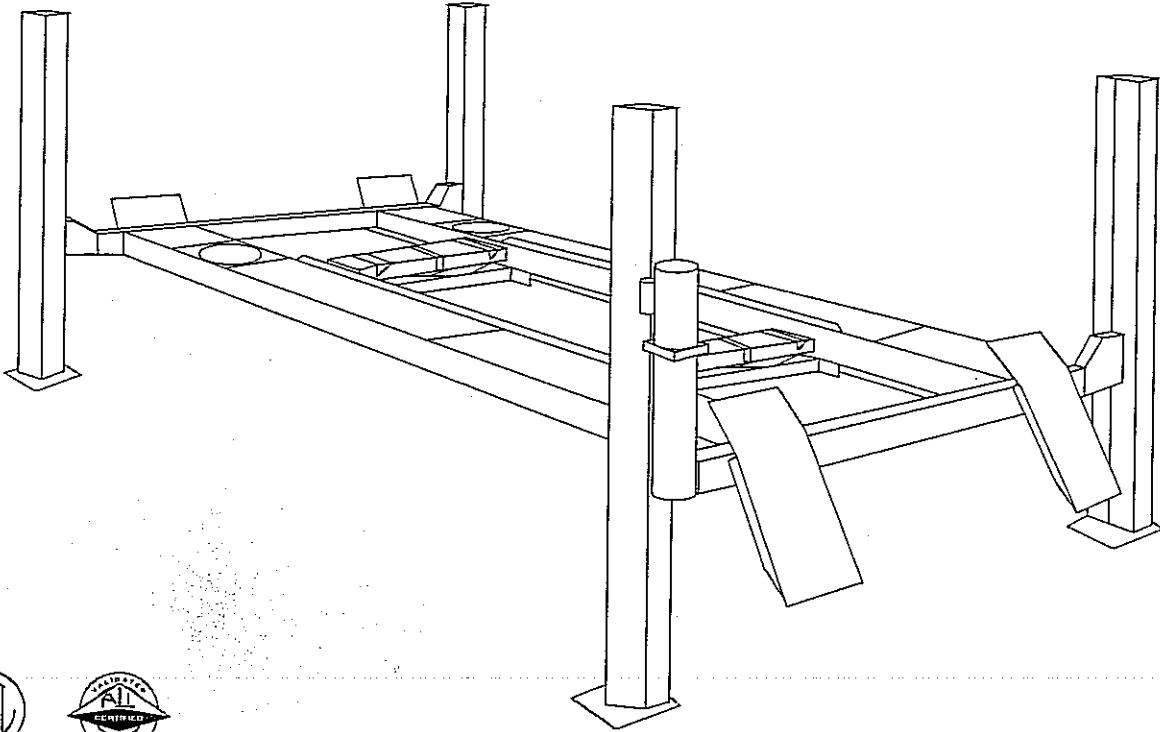


World Leader in Lift System

MODELS: AR122S
AR122L
AR122EL1
AR122EL2

-5 (EL1)
-7 (EL2)

PARTS BREAKDOWN



ETL Listed



NOTES:

IMPORTANT: When ordering parts or requesting service, always give exact model and power unit serial number. Model number is shown on nameplate attached to power unit column. Power unit serial number is located on side of reservoir.

OWNER'S RECORD

Complete information at right and keep in a safe place.

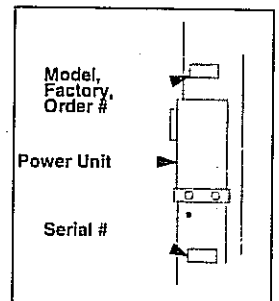
Date Installed _____

Installed In Bay # _____

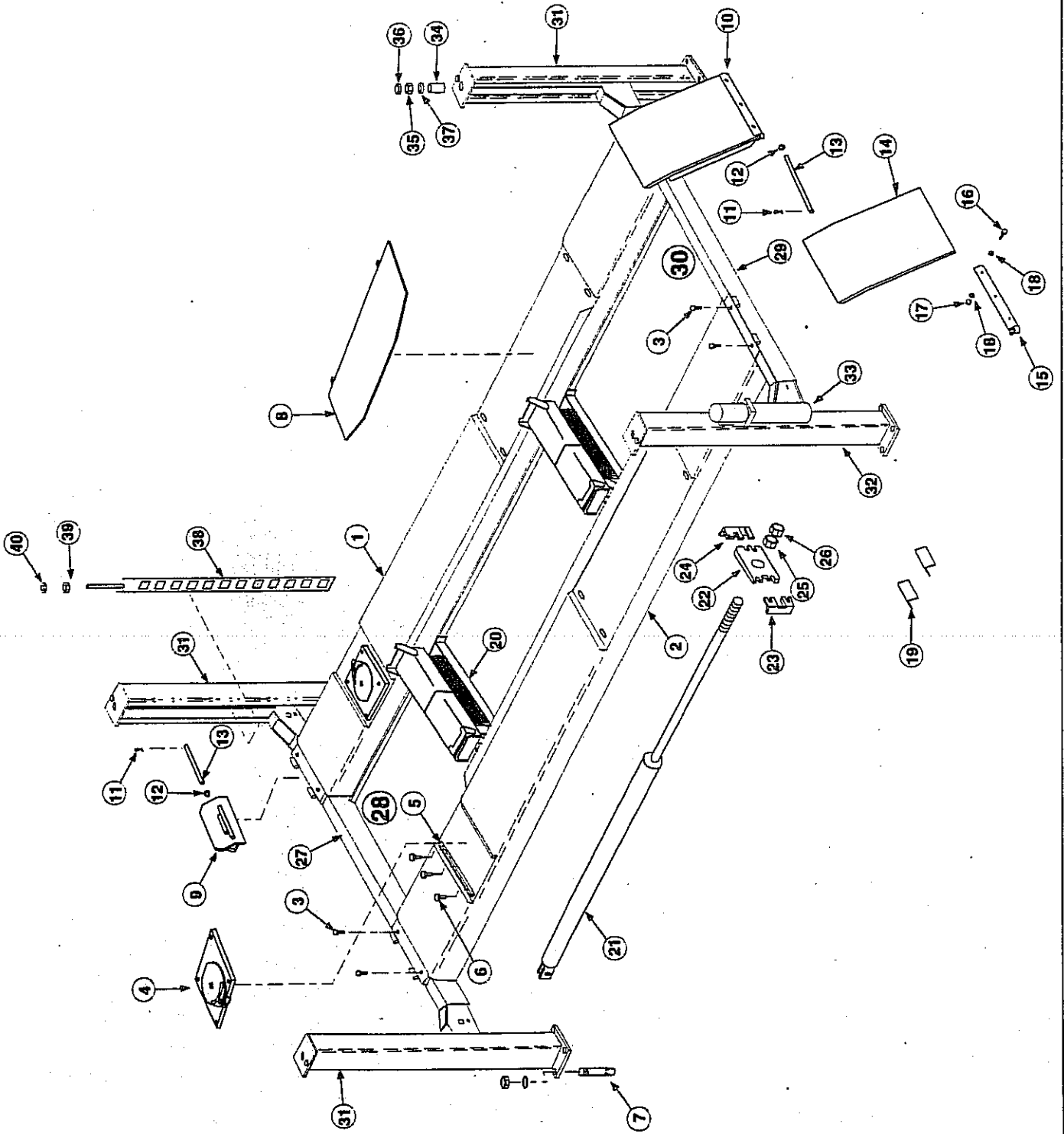
Std. Serial # _____ P709

3 ph. Serial # _____ P710

Factory Order # _____

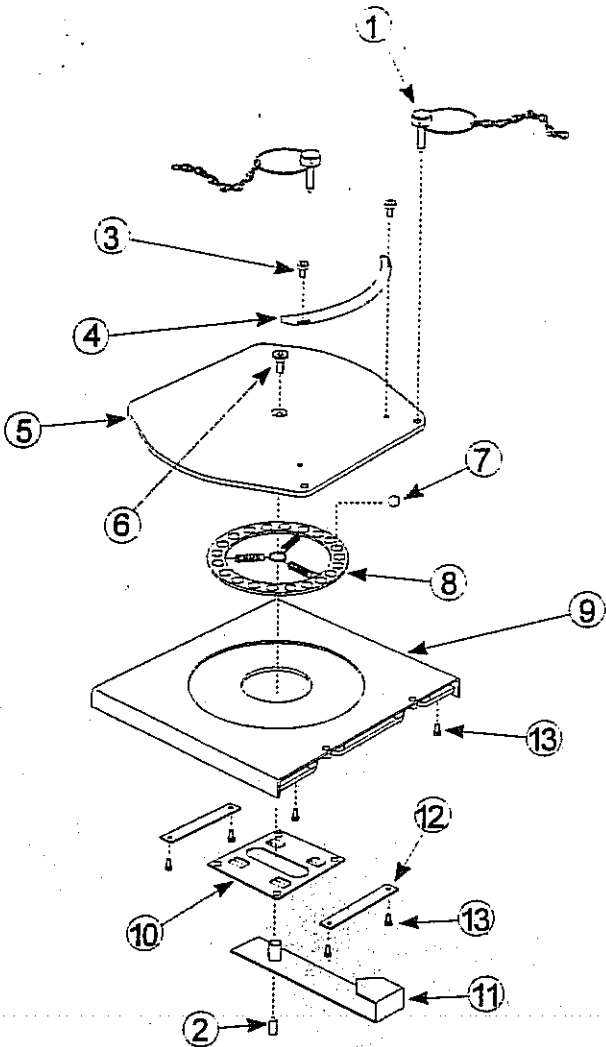


NOTE: For Replacement Parts - See Your Nearest Rotary Parts Distributor



AR122 PARTS					
ITEM NO.	DESCRIPTION	PART NO.			
		AR122S	AR122L	AR122EL1	AR122EL2
1	R.H. Runway Assembly	FC5622	FC5403	FC5646	FC5685
2	L.H. Runway Assembly (Includes cylinder, cables and sheaves)	FC5621	FC5402	FC5645	FC5684
3	1/2" — 13NC x 1 1/4" Flg. Whiz-Lock HHCS (High Strength)	40279			
4	Turning Radius Gauge Ass'y.	FC5792			
5	Turntable Guide Bar	FC134-57			
6	1/4"-20NC x 3/4" Flg. Whiz-Lock HHCSZPL	50514			
7	5/8" Anchor Bolt	FC5228			
8	Rear Slip Plate Kit *	FC5249			
9	Wheel Stop	FC134-13			
10	Ramp Chock Assembly	FC134-12			
11	5/32" x 1" Lg. Cotter Pin	41202			
12	5/8" Push Nut Fastener — TRW #PW625019 Or Equal	FC5179-4			
13	Hinge Pin	FC134-99			
14	Ramp Chock	FC134-65			
15	Ramp Chock Slide	FC134-33			
16	#10-24 PNHDMS x 3/4" Lg.	40030			
17	#10-24 Hex Nut	40630			
18	#10 Plain Washer	40785			
19	Triangular Wheel Chock	FC320			
20	Rolling Jack	FC5657			
21	Hydraulic Cylinder	FC5787			
22	Cable Pull Bar	FC543			
23	L.H. Cable Retaining Bar	FC543-3			
24	R.H. Cable Retaining Bar	FC543-2			
25	1 3/8"-6NC Hex Nut	40771			
26	1 3/8"-6NC Hex Jam Nut	40773			
27	Front Yoke	FC5707-1			
28	Front Yoke Ass'y (Including Latches)	FC5707			
29	Rear Yoke	FC5706-1			
30	Rear Yoke Ass'y (Including Latches)	FC5706			
31	Column	FC5704			
32	Power Unit Column	FC5705			
33	Power Unit	single phase	P709		
		3-phase	P710		
34	Spacer	FC5267			
35	7/8"-9NC Hex Nut	40785			
36	7/8"-9NC Hex Jam Nut	40786			
37	7/8" Flat Washer	41073			
38	Latch Bar	FC5704-3			
39	3/4"-10NC Hex Jam Nut	40759			
40	3/4"-10NC Hex Nut	40760			

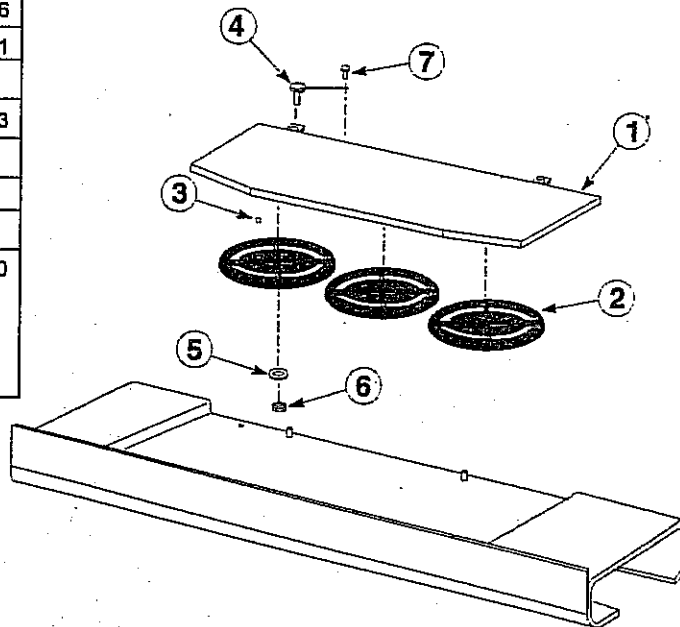
* For Slip Plate Parts, See Slip Plate Parts Breakdown - Later in Booklet



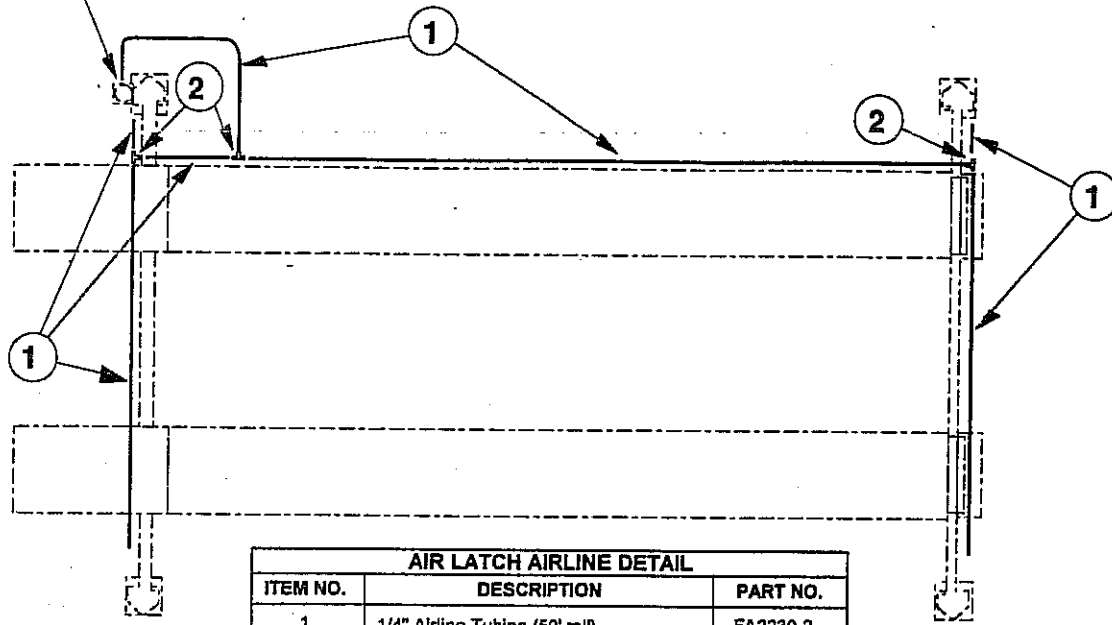
RADIUS GAUGE PARTS		
ITEM NO.	DESCRIPTION	PART NO.
1	Lock Pin Assembly	FC5104-4
2	1/2"-20NF x 3/8" Lg. Cone Pt. Set Screw Zink Plate	40866
3	#10-24NC x 1/4" Lg. Machine Screw CD Plate	40028
4	Name Plate Scale	NP228
5	Turntable Top Plate	FC5792-9
6	1/2"-20NF x 1" Lg. Counter Sunk Flat Head Screw	40867
7	Ball	FC5190-7
8	Ball Retainer Assy.	FC5792-13
9	Base	FC5792-1
10	Guide	FC5792-12
11	Handle	FC5792-7
12	Guide Bar	FC5792-6
13	1/4"-20NC x 3/8" Lg. Phil PNHD MS Zk Plate.	40500
Radius Gauge Rebuild Kit includes:		FC5792-30
(1) Ball Retainer Assy., FC5792-13,		
(21) Balls FC5190-7		

*FC5792
Radius Gauge*

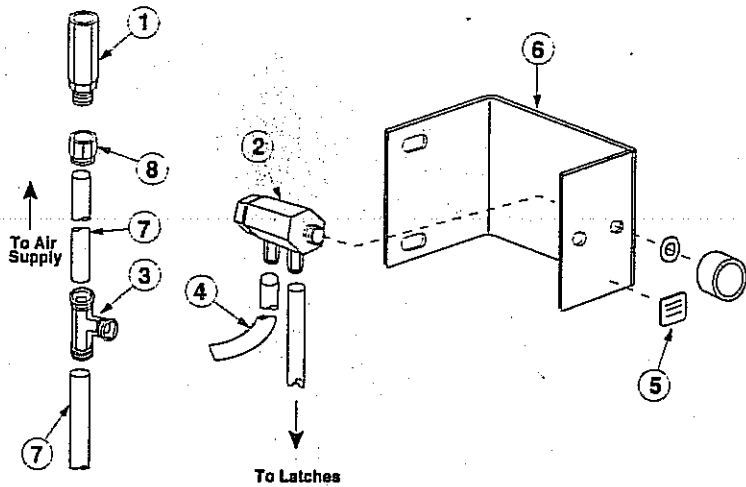
4 WS SLIP PLATE PARTS		
ITEM NO.	DESCRIPTION	PART NO.
1	Slip Plate Weldment	FC5190-16
2	Ball Retainer Assembly	FC5190-31
3	Ball	FC5190-7
4	Lock Pin Assembly	FC5190-13
5	7/16" SAE Washer	41073
6	3/8"-16NC Nylon Insert Jam Nut	40658
7	1/4"-20NC PNHDM S CD PLT x 3/8" Lg.	40067
Slip Plate Rebuild Kit Includes: (3) Ball Retainer Assembly FC5190-31 (108) Balls, FC5190-7 (3) 7/16" SAE Washer (3) 3/8"-16NC Nylon Insert Jam Nut		FC5190-30



Air Latch Release Valve

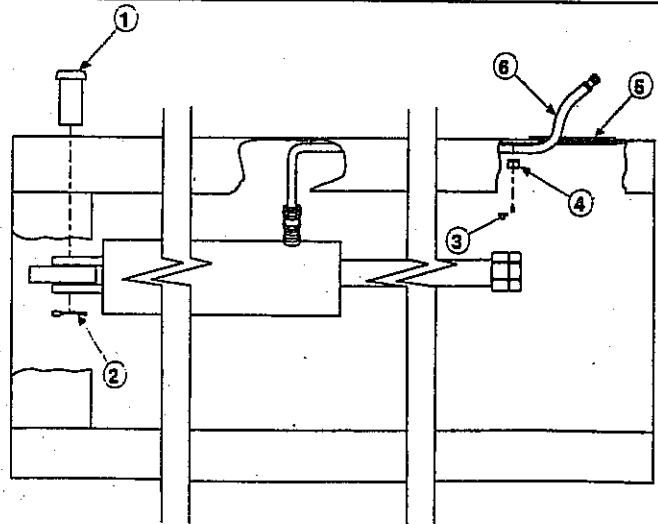


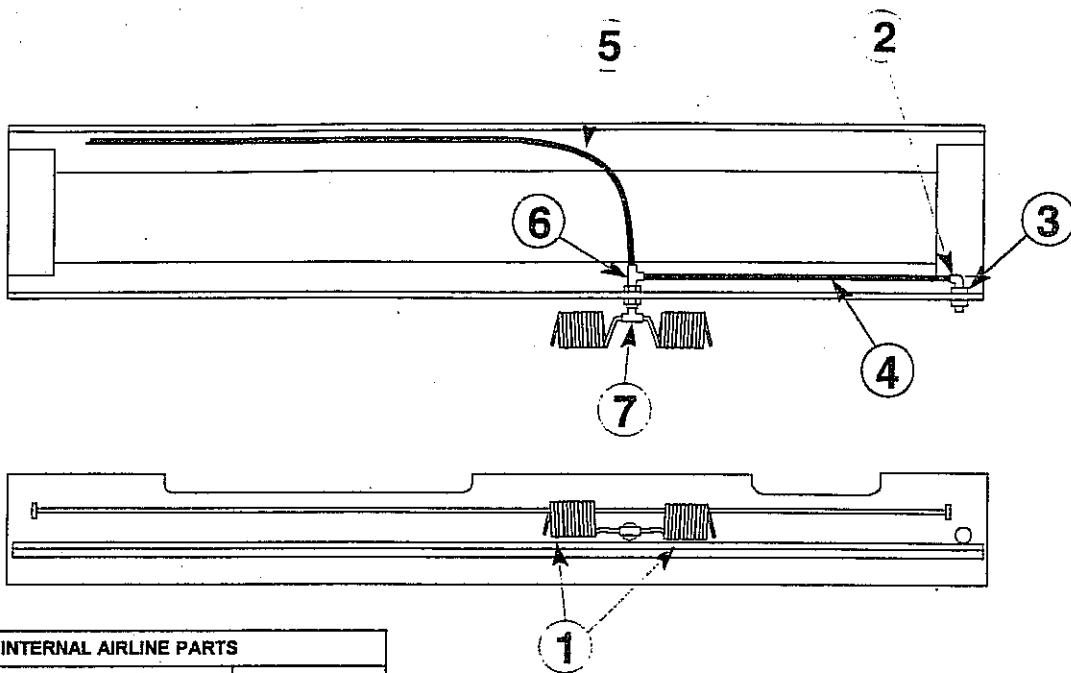
AIR LATCH AIRLINE DETAIL		
ITEM NO.	DESCRIPTION	PART NO.
1	1/4" Airline Tubing (50' roll)	FA2230-2
2	Union Tee	FC5225-46



AIR LOCK RELEASE VALVE DETAIL		
ITEM NO.	DESCRIPTION	PART NO.
1	Filter	FA3134-12
2	Air Valve <i>NG23BK</i>	FA2273-8
3	Union Tee	FA2242-1
4	1/4" Tubing	FC2273-4
5	Nameplate	NP280
6	Control Ass'y. Bracket	FA2273-7
7	3/8" Tubing (40' roll)	FA2230-15
8	Female Connector	FA3134-13

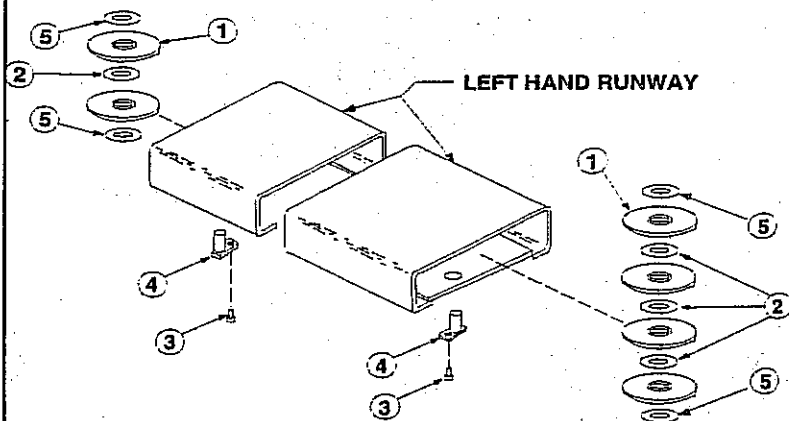
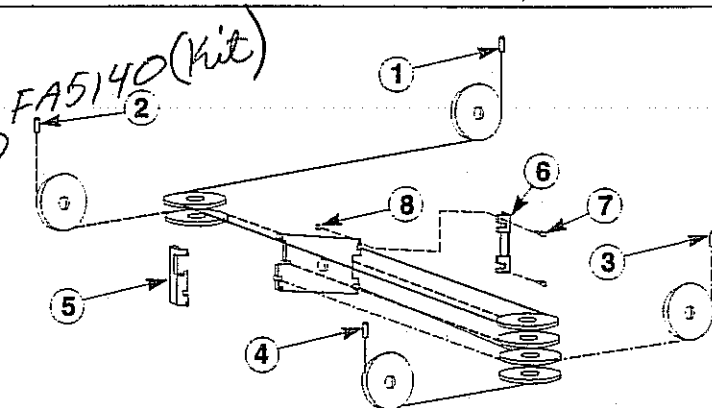
HYDRAULIC HOSE DETAIL		
ITEM NO.	DESCRIPTION	PART NO.
1	Clevis Pin	FC5346-1
2	3/16" x 1 1/4" Lg. Cotter Pin	41247
3	#10 - 24NC Slotted HHTS x 5/8" Lg.	40029
4	Clamp	FA2239-1
5	Strip Grommet	FC5317-12
6	Hose	FC5798



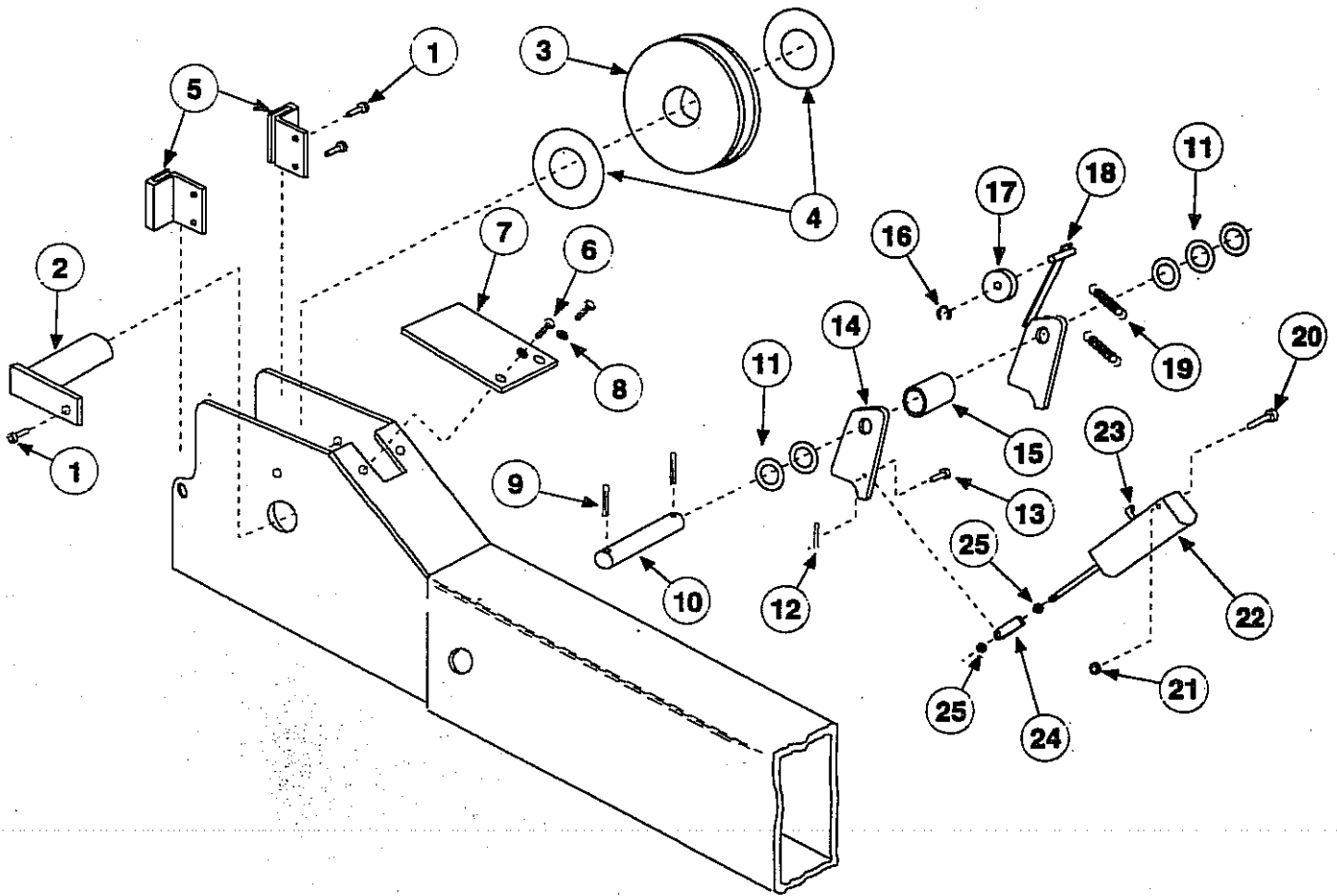


INTERNAL AIRLINE PARTS		
ITEM NO.	DESCRIPTION	PART NO.
1	Recoil Hose	FC147-14
2	Male Elbow	FC147-7
3	Female Bulkhead	FC147-1
4	Runway Tubing	FC147-6
5	Tubing	FC5313-2
6	Male Run Tee	FC147-3
7	Male Branch Tee	FC147-5

CABLES				
ITEM NO.	DESCRIPTION	PART NO.		
		AR122S	AR122L	AR122EL1 AR122EL2
1	Right Front Cable	FC5617	FC5617	FC5647-1 FC5551-12
2	Left Front Cable	FC5618	FC5618	FC5647-2 FC5551-11
3	Right Rear Cable		FC545	
4	Left Rear Cable		FC544	
5	Left Cable Retaining Bar		FC543-3	
6	Right Cable Retaining Bar		FC543-2	
7	1/4"-20NC HHCS x 1 1/2"		40081	
8	1/4"-20NC Hex Nut w/ locking nylon insert		40642	



SHEAVE DETAIL		
ITEM NO.	DESCRIPTION	PART NO.
1	Sheave	FC548
2	Thick Bearing	FC5346-2
3	5/16"-18NC HSBHCS x 1/2" Lg.	40225
4	Sheave Pin	FC555-1
5	Thin Bearing	FC548-5



YOKE END DETAIL

ITEM	DESCRIPTION	PART NO.	ITEM	DESCRIPTION	PART NO.
1	5/16"-18NC x 1/2" Lg. Button Head Screw	40225	14	Latch	FC5708-10
2	Sheave Pin	FC5224-21	15	Spacer	FC5708-9
3	Sheave	FC548	16	3/8" Snap Ring TRUARC #5304-37	41410
4	Plastic Bearing	FC548-5	17	Stack Cable Roller	FC553-21
5	Slider	FC5708-16	18	Stack Cable Latch	FC5708-8
6	1/4" 20NC HHTS x 1/2" Lg.	40067	19	Extension Spring	FC522-25
7	Rubber Guard	FC553-10	20	1/4"-20 HHCS X 1 1/2" Lg.	40081
8	1/4" Plain Washer	40780	21	1/4"-20 Hex Nut w/locking nylon insert	40842
9	Cotter Pin, 1/8" X 1 1/4"	41201	22	Air Cylinder	FC5708-17
10	Latch Shaft	FC5224-17	23	Elbow	FC5224-39
11	Washer	FC5301-98	24	Clevis	FC5708-7
12	1/4" Hairpin Cotter Pin (.05" dia. wire)	41901	25	1/4" -28NF Hex Nut	40822
13	Clevis Pin	FA2230-12			