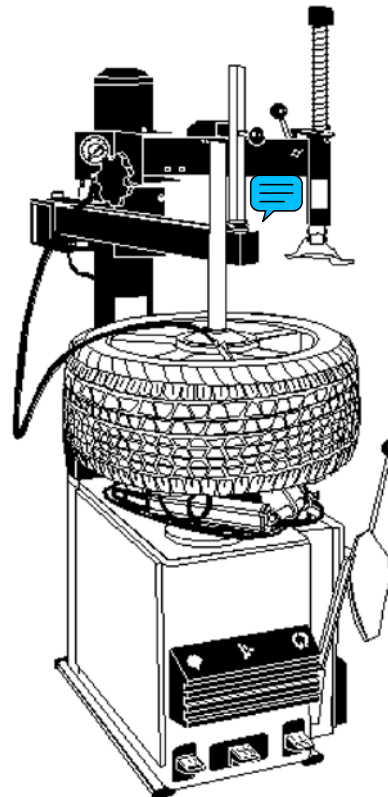




8931 / 8936

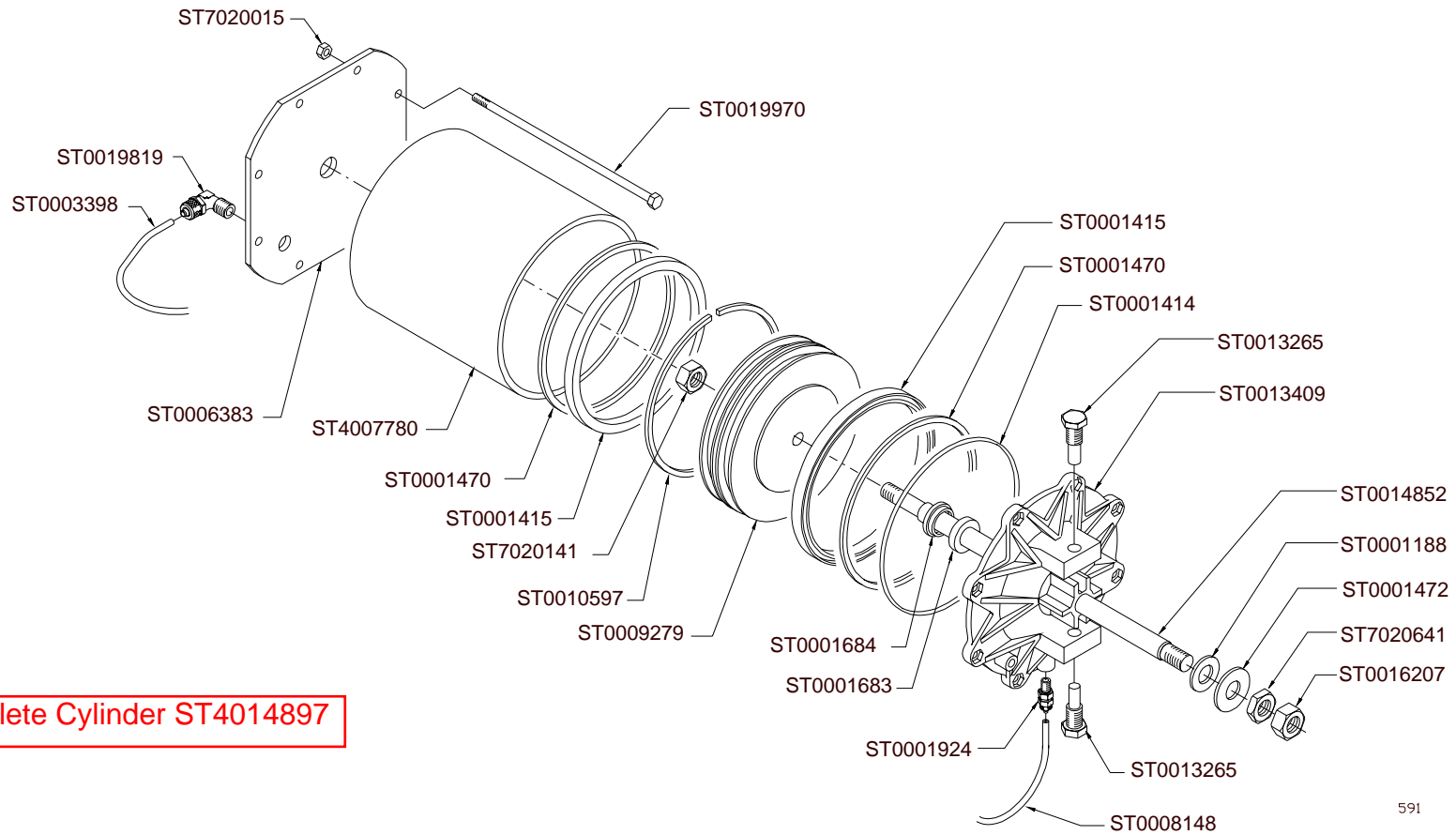
# Parts Reference Manual



Plastic Protection Kit EAK0237J13A  
Contains EAA0247G20A Plastic  
dismount head, 87546 insert kit  
ST0022129 Rim Protector,  
ST0026582 Bead Breaker Protector.

Form - 5761

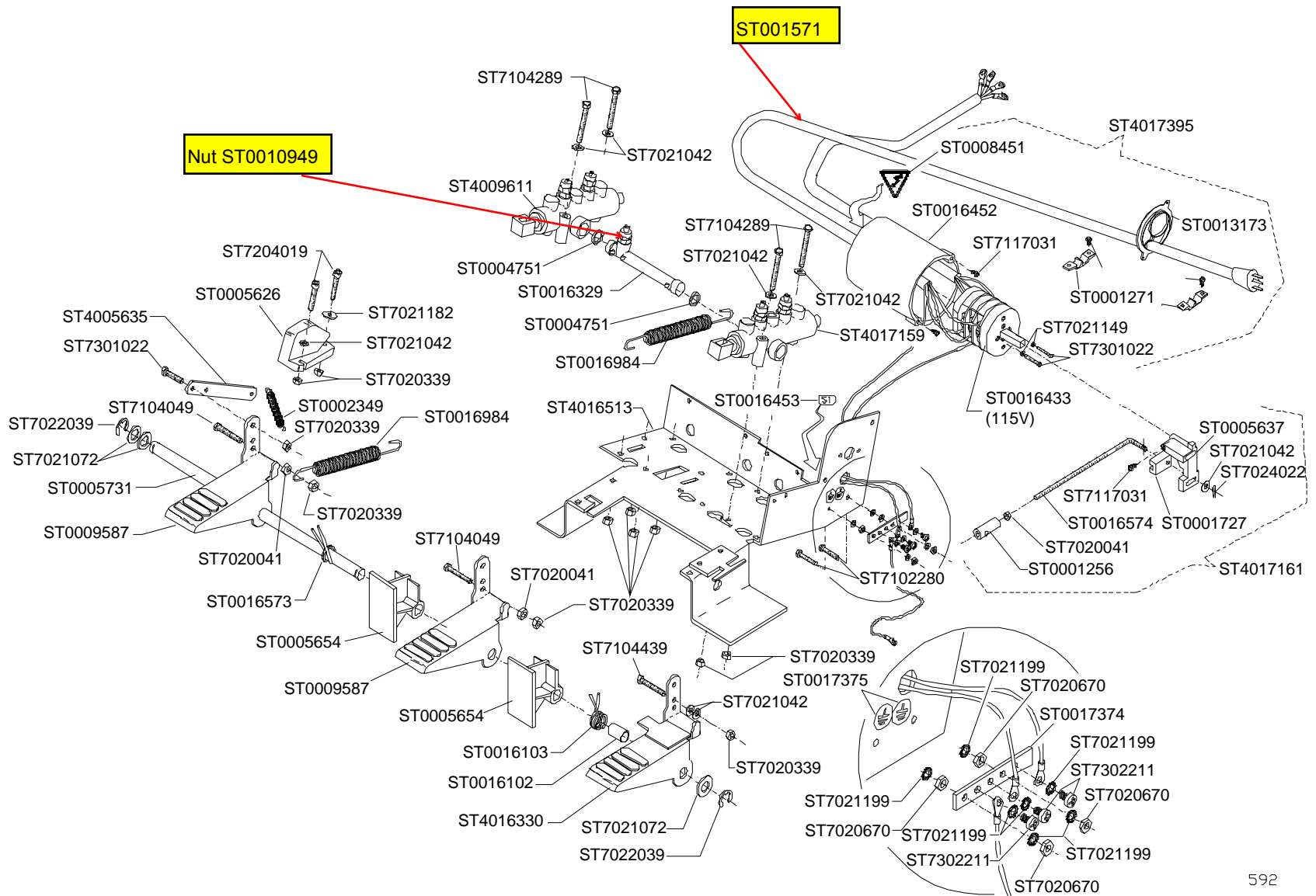
"FOR REFERENCE ONLY"



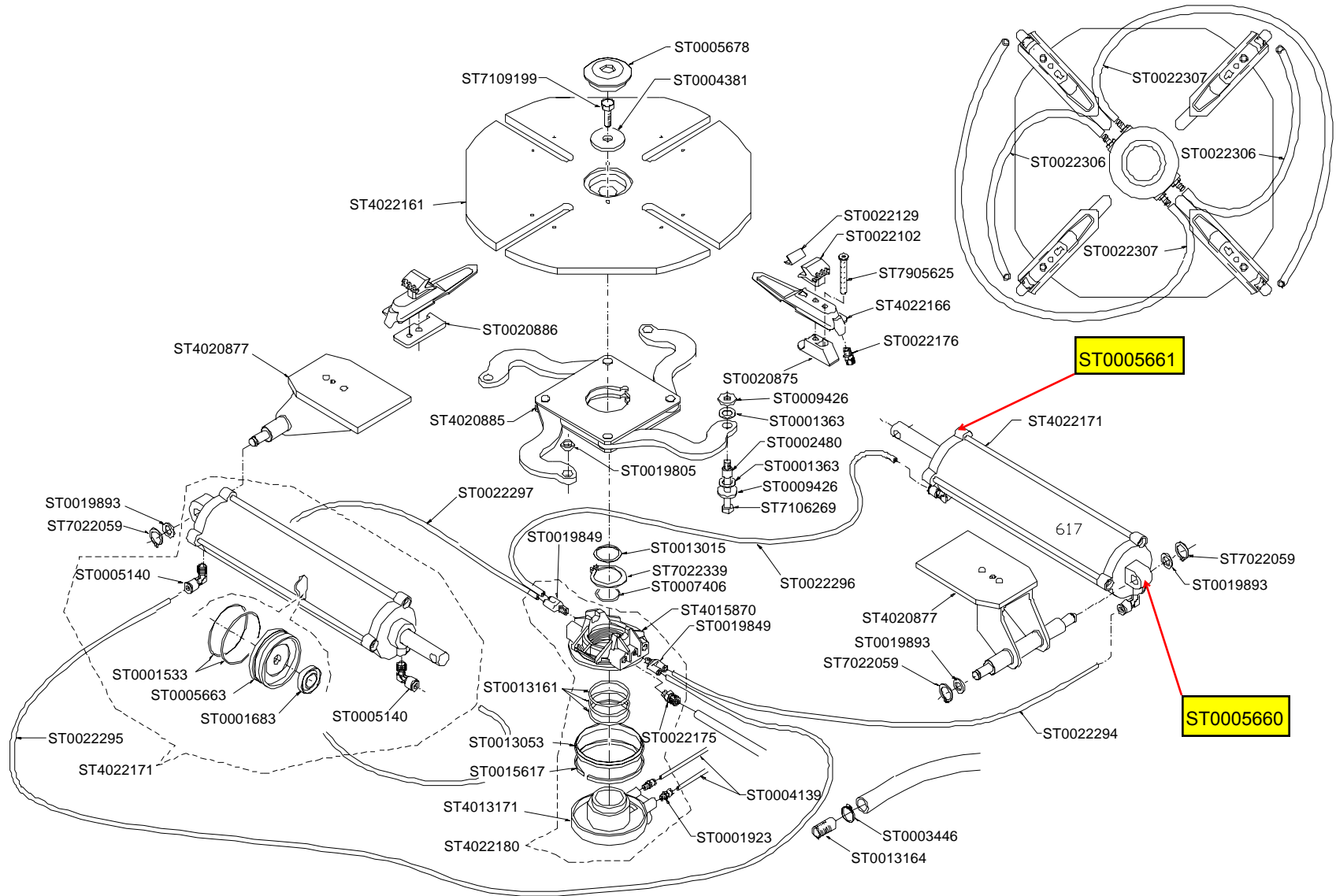
Complete Cylinder ST4014897

591

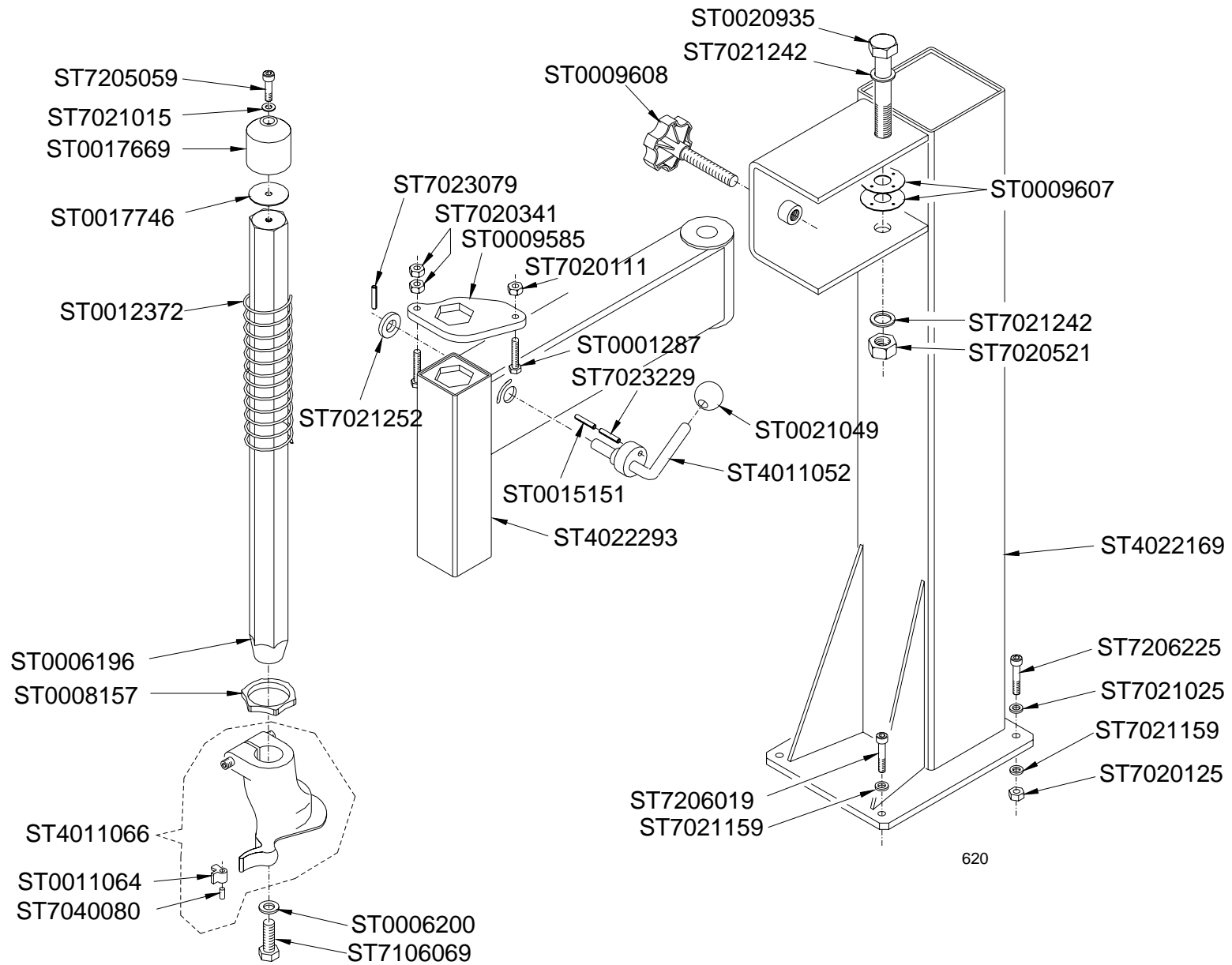
## 8931 / 8936 Bead Breaker Cylinder Assembly



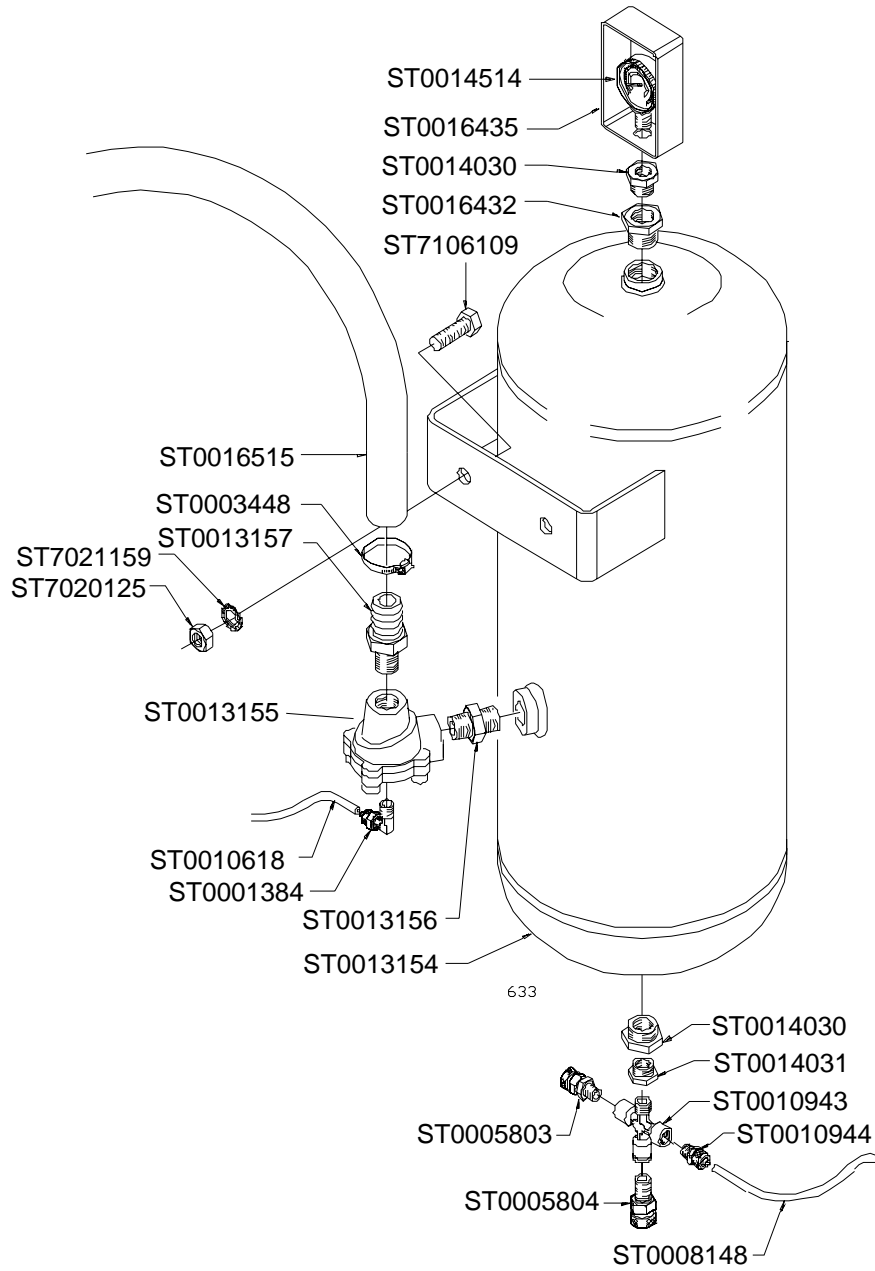
## Pedal Assembly 8931 / 8936



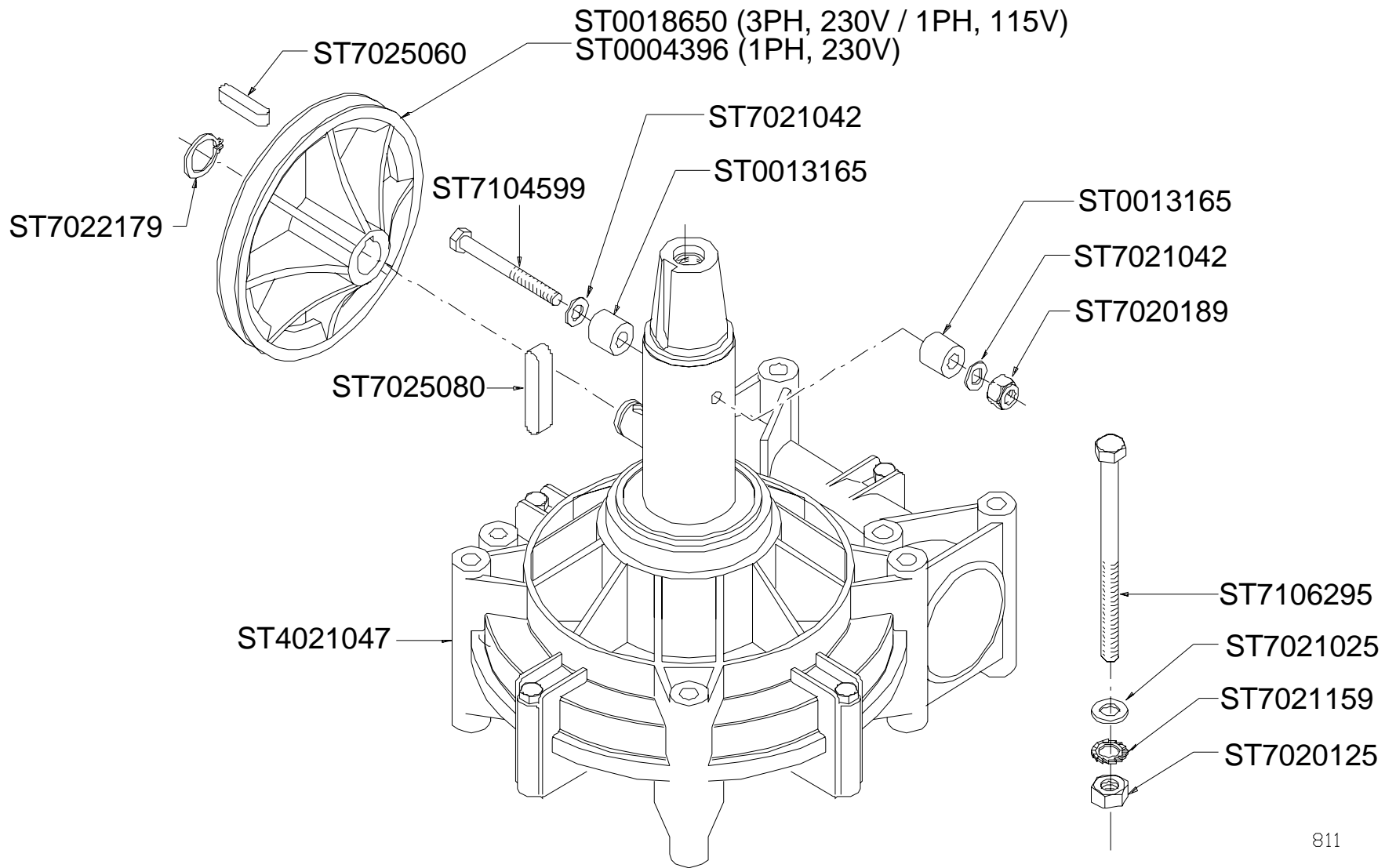
## Turtable Assembly 8931 / 8936 – 18”



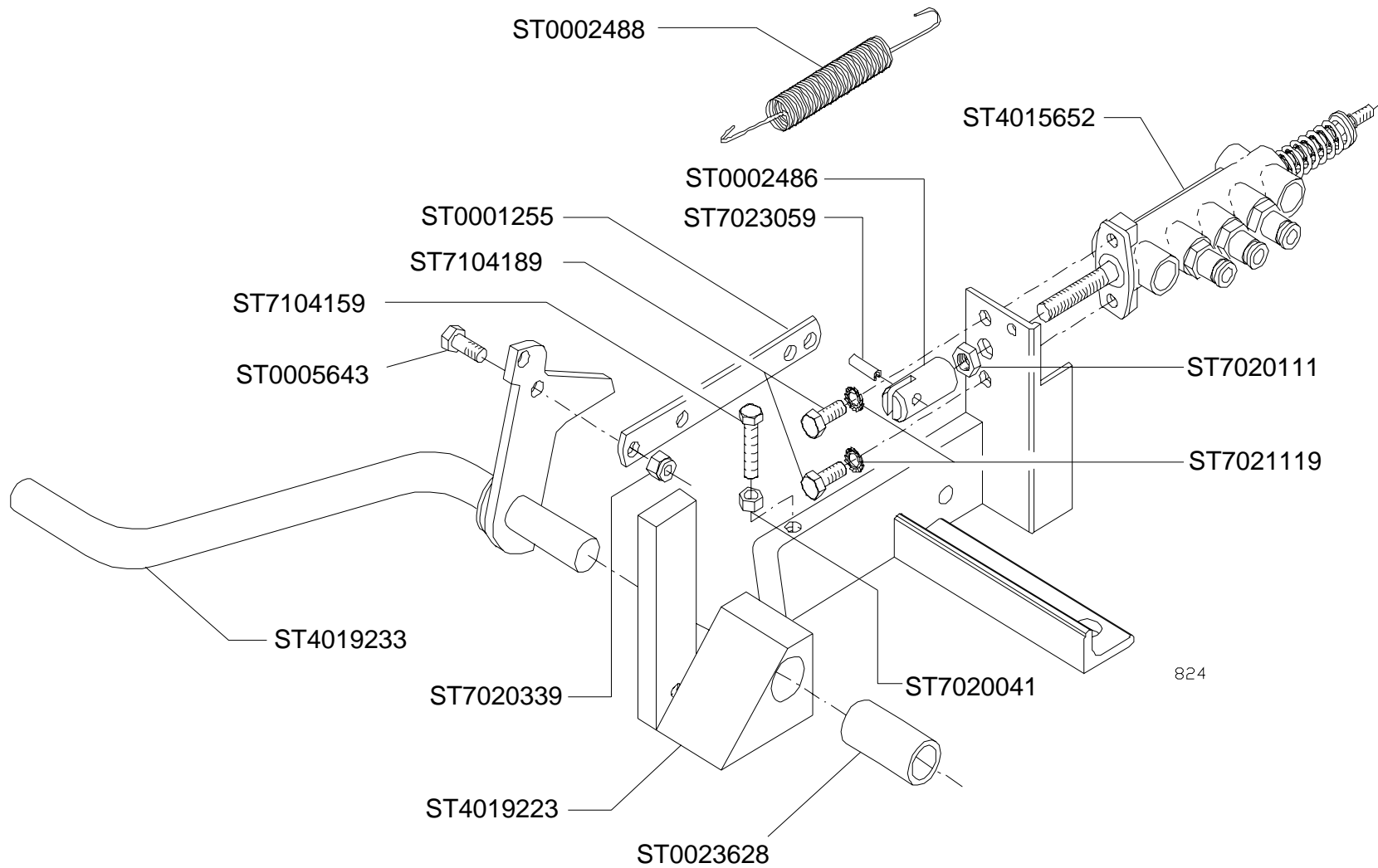
## Tower and Arm Assembly 8931 / 8936



**Tank, Bead Seater 8931 / 8936**

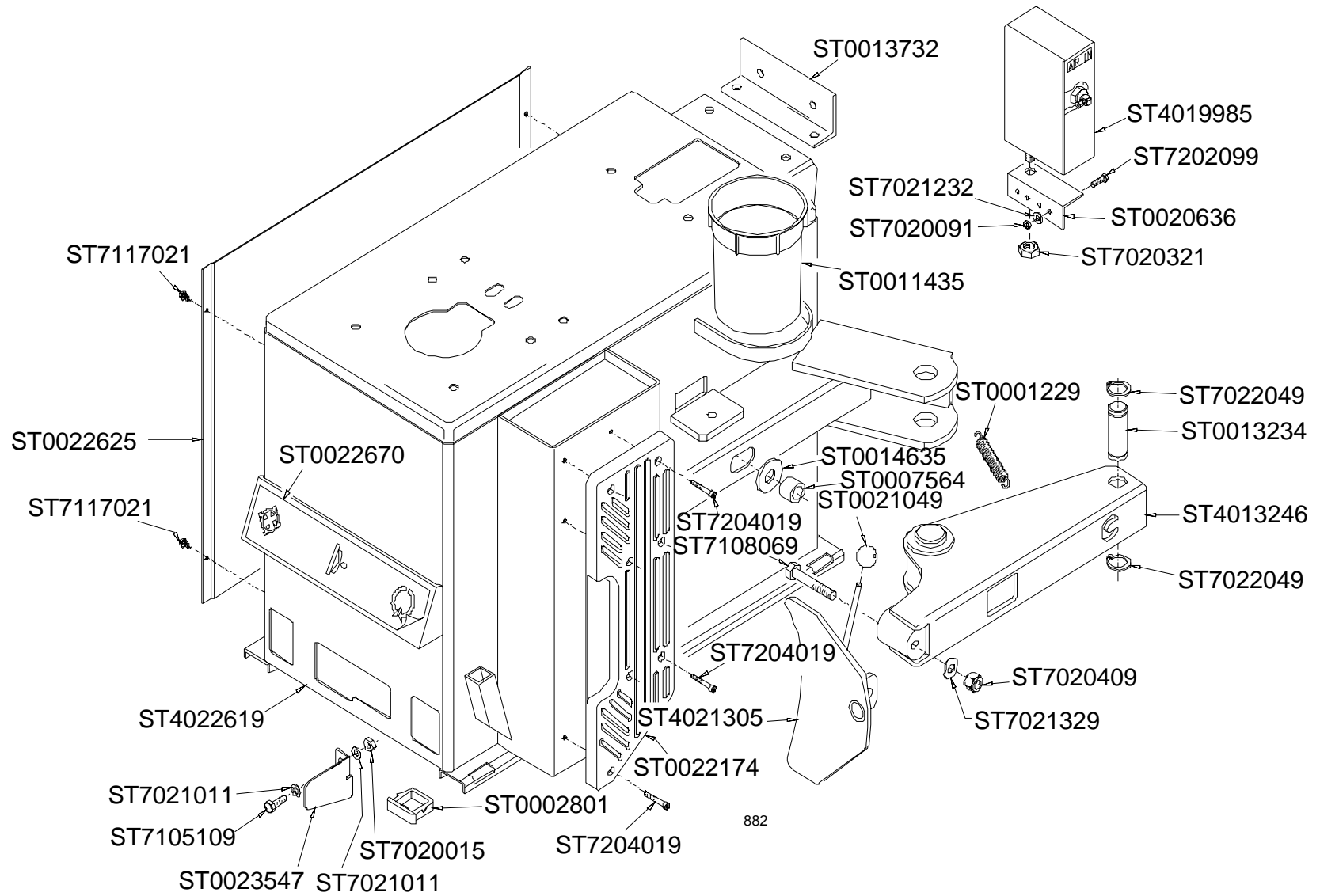


**Transmission Gear Box 8931 / 8936**

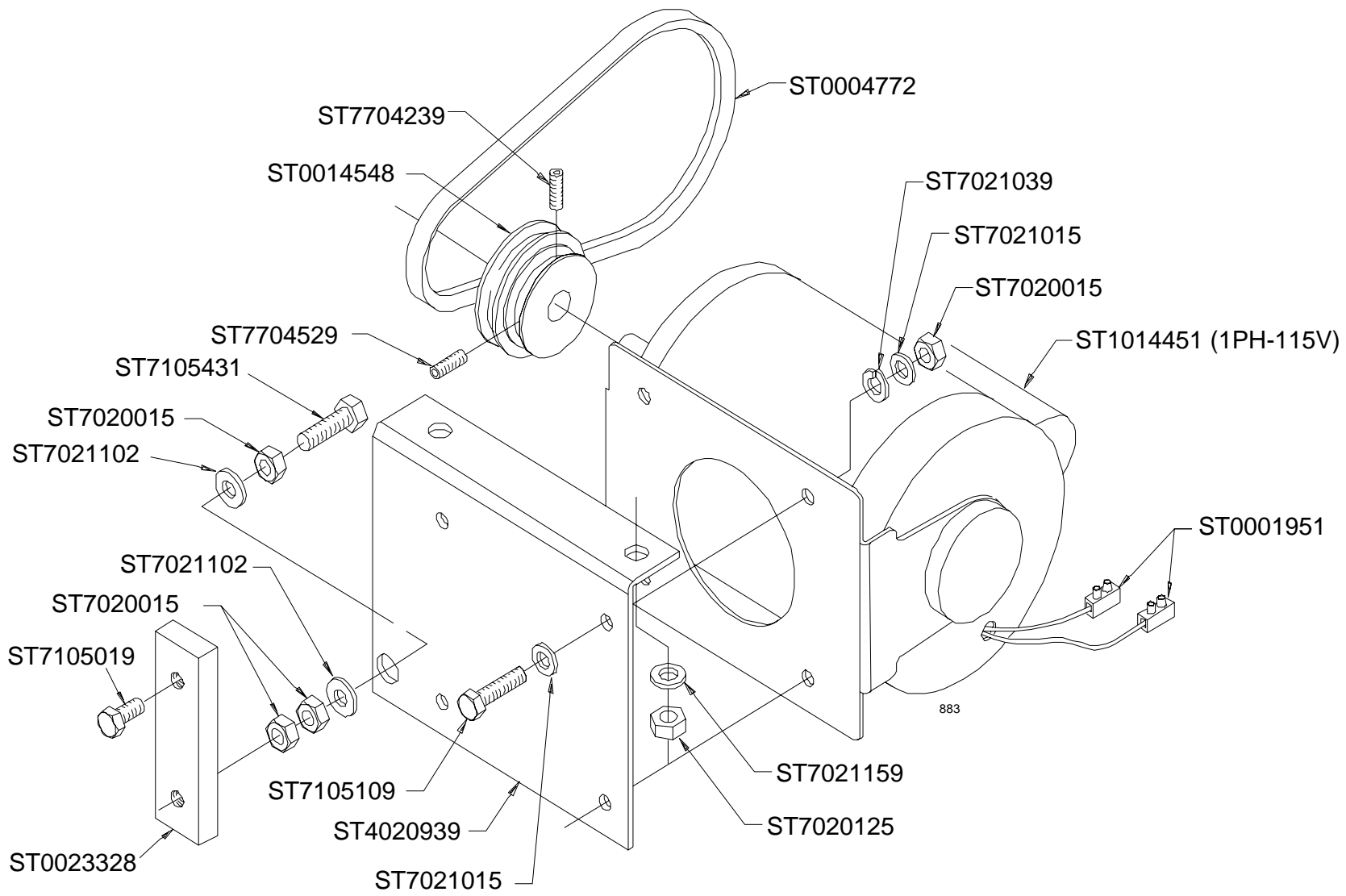


**Pedal, Inflator 8931 / 8936**





## Cabinet 8931 / 8936



**Motor Assembly 8931 /8936**

Click here for blowup

ST0014523 (PSI)

ST4016060

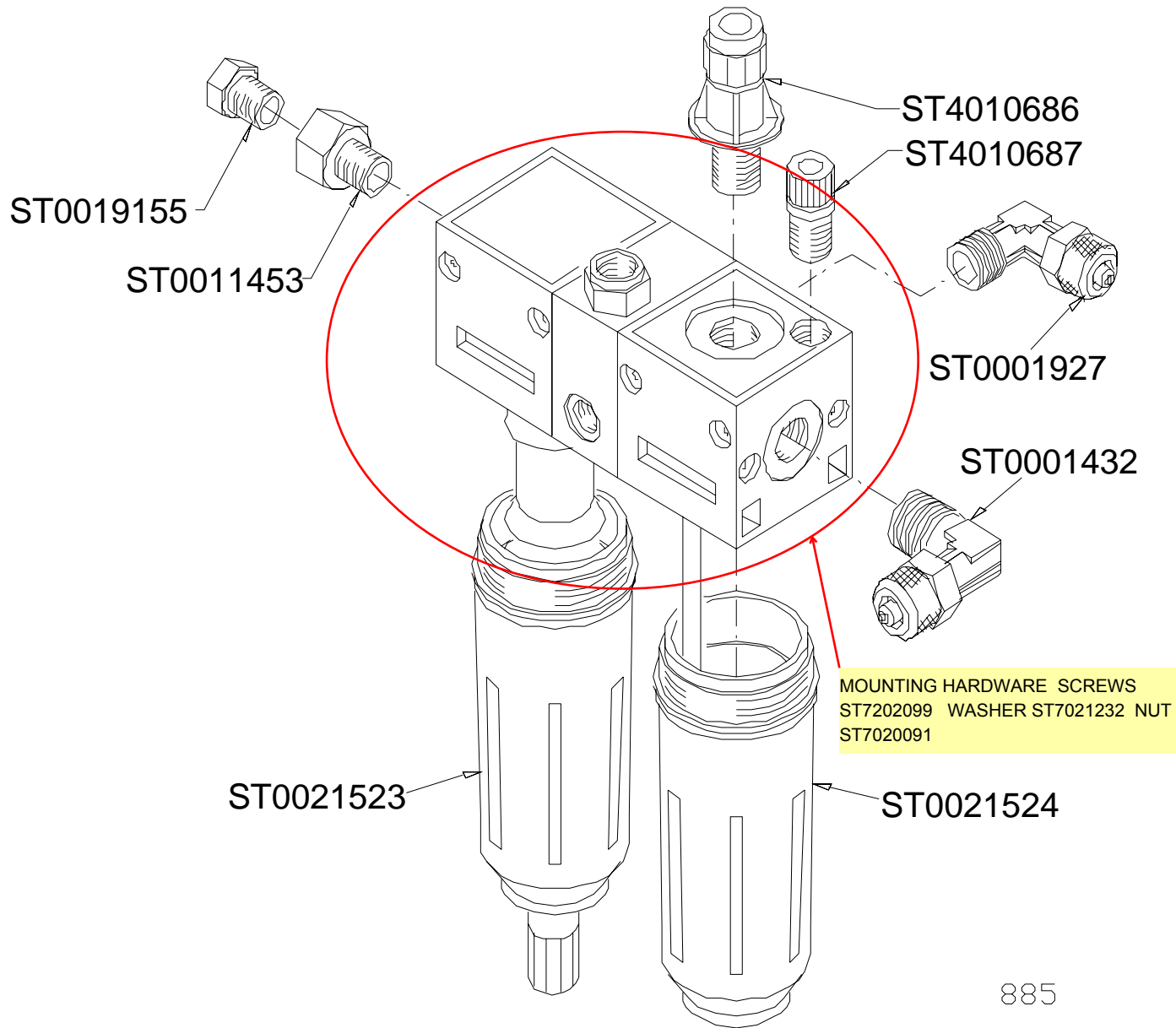
ST0006993

ST0001535

Hose Assy. ST4010931

884

### Manometer Assembly 8931 / 8936



**Filter Lubricator Assembly 8931 / 8936**

**ST4027562 Assembly #**

ST0001229	SPRING - RECALL ARM, BEAD BREAKER
ST0001256	PIN, ADJUSTMENT - ROD
ST0001271	RETAINER - CABLE
ST0001287	SCREW ADJUSTMENT - ROD
ST0001363	WASHER - SHIM 30X17X0,3
ST0001384	FITTING 90 deg 4X6 1/8/405 MOND
ST0001431	FITTING MFM 1/4X1/4
ST0001432	FITTING 90 deg 6X8 1/4
ST0001533	SEAL - OR d. 62
ST0001535	CLIP
ST0001683	SEAL - ROD, PISTON d. 20
ST0001727	WASHER - GUIDE, ROD
ST0001896	SWITCH ASSY
ST0001926	FITTING - 90 deg, L 6X8 1/4
ST0001927	FITTING - 90 deg, L 6X8 1/4"
ST0001950	SWITCH ASSY - SINGLR PH
ST0001951	BOARD - TERMINAL 6MM
ST0002238	WASHER - COPPER 1/4
ST0002349	SPRING - MOVEMENT, CLAMP
ST0002480	BUSHING - LINK
ST0002801	FOOT - SQUARE
ST0003446	CLIP
ST0004139	HOSE - AIR 4X6
ST0004381	WASHER
ST0004396	PULLEY - DRIVE, PLASTIC
ST0004675	FITTING
ST0004751	SEAL - OR
ST0004772	BELT A29
ST0005140	FITTING 90 deg, SWIVEL/CONNECTOR
ST0005626	CAM - PEDAL
ST0005637	LEVER - SWITCH ASSY
ST0005643	SCREW (PEDAL)
ST0005654	SPACER - PEDAL
ST0005663	SEAL DOUBLE
ST0005678	PROTECTION - TURNTABLE
ST0005731	SHAFT - HINGE, PEDAL
ST0005803	VALVE, PRESS. RELEASE 1/4
ST0005804	TAP, CONDENSED WATER
ST0006196	ROD VERTICAL
ST0006200	WASHER - FITTING, TOOL
ST0006993	CHUCK, INFLATION
ST0007406	SEAL - OR d. 50
ST0007564	WASHER - SHOCK ABSORVER
ST0008148	HOSE- AIR 6X8
ST0008157	SHOCK ABSORVER ROD
ST0008451	STICKER, DANGER VDE
ST0009426	WASHER 10X30X3
ST0009585	PLATE - ROD, LOCKING

ST0009587	PEDAL
ST0009607	WASHER - ADJUSTMENT
ST0009608	SCREW - ARM, SWING - REGISTER
ST0010314	HOSE - AIR 6X8
ST0010491	WASHER, SHOCK ABSORBER
ST0010618	HOSE, AIR 4X6
ST0010775	BLOC, FITTING - CONNECTION
ST0010858	PULLEY, DOUBLE
ST0010943	FITTING CROSSED FFFM 1/4 G
ST0010944	FITTING STAIGHT 6X8 1/4
ST0011064	INSERT - PLASTIC, MOUNT/DEM. HEAD
ST0011435	BOX, GREASE
ST0011453	EXTENSION MF 1/4" - 3/8"
ST0011708	FITTING 1/4
ST0012372	SPRING - RECALL ROD, VERTICAL
ST0013015	SUPPORT, RING
ST0013053	SEAL TUBELESS INFLATOR - FRONT
ST0013154	TANK - INFLATOR
ST0013155	VALVE, AIR CONTROLLED
ST0013156	NIPPLE, CONIC 1" CONIC NIPPLE
ST0013157	FITTING, SUPPORT M1" - 20
ST0013161	SEAL OR d. 69. 44X3. 53
ST0013164	RUBBER HOSE - FITTING CYLINDER
ST0013165	BUSHING, STOP MANIFOLD
ST0013173	PROTECTION, CABLE + HOSE GUIDANC
ST0013234	PIN BEAD - BREAKER
ST0013732	SUPPORT TANK
ST0014030	REDUCTION, MF 1 - 3/8 GAS
ST0014031	REDUCTION MF 3/8" - 1/4"
ST0014514	MANOMETER - RADIAL 0-16 d.40
ST0014523	GAUGE, PRESSURE PSI
ST0014548	PULLEY, DOUBLE d. 16
ST0014635	SPACER SUPPORT
ST0015151	ROLL 3X27,5
ST0015617	SPRINT JOINT SEALING
ST0016102	BUSHING, CENTERING - SPRING
ST0016103	SPRING, PEDAL SWITCH
ST0016329	HOSE CONNECTION, AIR
ST0016432	REDUCTION MF 3/8" - 1/8" CIL
ST0016435	PROTECTION, MANOMETER
ST0016452	REVERSE GEAR PROTECTION
ST0016453	PLATE REVERSING GEAR S1
ST0016515	HOSE - AIR
ST0016573	SPRING, BLOCKAGE - PIN
ST0016574	PIN, CONTROL - REVERSING GEAR
ST0016984	SPRING, RECALL PEDALS
ST0017374	PLATE, EARTH
ST0017375	LABLE, GROUND
ST0017669	COVER, SPRING

ST0017703	CAP 1/4" WITH HOLE
ST0017746	WASHER - LOCKING, SPRING
ST0017761	REDUCTOR - PRESSURE
ST0018650	PULLEY, 1 GROOVE
ST0019155	FITTING MF 3/8 BSP - 1/4 NPT
ST0019805	SPACER - ROD
ST0019849	FITTING 4X6 1/8
ST0019893	WASHER TH. d. 12X18X1
ST0019991	MOTOR SINGLE PHASE 230-1
ST0020011	MOTOR 3PHASE 230-400V HP 0,75
ST0020174	PAD, SUPPORT - BEAD BREAKER
ST0020636	BRACKET - VALVE, INFLATOR
ST0020875	SPACER SUPPORT
ST0020886	PLATE, REGISTER - CLAMP
ST0020935	SCREW, SWING ARM
ST0021049	KNOB PLASTIC
ST0021060	BELT A31
ST0021523	BOWL, SEPARATOR COMPLETE
ST0021524	BOWL, OILER COMPLETE
ST0022102	WEDGE, TURNTABLE - CENTRAL
ST0022129	PROTECTION, RIMS
ST0022174	PAD, SUPPORT - BEAD BREAKER
ST0022175	FITTING, QUICK - HOSE 10 1/4
ST0022176	FITTING HOSE 8X10 1/4
ST0022294	HOSE - AIR 4X6, BLACK
ST0022295	HOSE - AIR 4X6, BLACK
ST0022296	HOSE - AIR 4X6, BLACK
ST0022297	HOSE - AIR 4X6, BLACK
ST0022306	HOSE AIR 8X10
ST0022307	HOSE - AIR 8X10, BLACK
ST0022618	PLATE SIDE
ST0022625	PLATE, SIDE - INFLATOR
ST0022670	STICKER, PEDALS (3)
ST0022838	FITTING T - QUICK 1/4 6X8
ST0022839	CAP, FITTING d.8
ST0023328	PLATE, FIXING
ST0023484	MANOMETER D80 EEC BAR /PSI
ST0023547	PROTECTION, PEDAL - REVERS. SWITCH
ST1014451	MOTOR, SINGLE PHASE
ST4009611	VALVE, TURNTABLE
ST4010686	CAP+OR - OIL FLOW REGISTER
ST4010687	CAP, OIL+OR
ST4011052	LEVER, REGISTER
ST4011066	HEAD - MOUNT/DEMOUNT W. PLASTIC
ST4013171	RING - INSIDE, WITH SUPPORT
ST4013246	ARM, BEAD BREAKER
ST4015870	RING, OUTER - MANIFOLD
ST4016060	BLEEDER ASSY
ST4016330	PEDAL - FOOT, MOTOR

ST4016513	SUPPORT - ASSY PEDAL - RIGHT
ST4017159	VALVE, BEAD - BREAKER
ST4017161	ROD REGISTER - REVERSING GEAR
ST4017394	ASSY, REVERSING SWITCH, 3 PHASE
ST4017396	REVERSING GEAR + CABLE SINGLE PHASE
ST4019747	ROD, POSITIONNING - PEDAL
ST4019985	AIRCONTROL - PRESS LIMITER VALVE
ST4020877	BRACKET CYLINDERS
ST4020885	PLATE - REGISTER, CLAMP
ST4020939	SUPPORT - MOTOR
ST4021047	GEAR BOX
ST4021305	BLADE, BEAD BREAKER
ST4022161	TURNTABLE CENTRAL 18"
ST4022166	CLAMP WITH INSERT - INFLATOR
ST4022169	TOWER, SWING
ST4022171	CYLINDER, TURNTABLE
ST4022180	MANIFOLD
ST4022293	ARM - SWING
ST4022619	CABINET
ST7020015	NUT M8 6S STAND. YELLOW COATED
ST7020039	NUT - S. LOCK, LOW - M8 5S
ST7020041	NUT - HEX. M6 6S
ST7020091	NUT - M4 6S
ST7020111	NUT - HEX M8 6S
ST7020125	NUT M10 6S
ST7020189	NUT - S. LOCK, HIGH - M6
ST7020321	NUT - M14 6S
ST7020339	NUT - S. LOCK, LOW - M6
ST7020341	NUT - M10 6S
ST7020409	NUT - S. LOCK, LOW - M.14
ST7020521	NUT M20 6S
ST7020670	NUT M4 BRASS UNI 5588
ST7021011	WASHER d. 8
ST7021015	WASHER d.8
ST7021025	WASHER P. d. 10
ST7021039	WASHER d.8
ST7021042	WASHER d. 6
ST7021072	WASHER - PISTON d.12
ST7021102	WASHER - d. 8X24
ST7021149	WASHER - GROWER d.3
ST7021159	WASHER - STOP d. 10
ST7021182	WASHER - d. 6X18
ST7021199	WASHER d.4
ST7021232	WASHER d.4
ST7021242	WASHER d.20
ST7021252	WASHER d. 14
ST7021329	WASHER 14 mm
ST7022039	RING - SNAP d. 10
ST7022049	RING - SNAP d.25



ST7022059	RING - SNAP d.12
ST7022179	RING - SNAP SHAFT d. 19
ST7022339	RING - STOP d. 60
ST7023079	PIN - SPLIT 4X26
ST7023229	SPLIT PIN 5X26
ST7024022	PIN - SPLIT 2X15
ST7025060	KEY - 6X6X40
ST7025080	TANG 10X8X45
ST7040080	CLIP d. 4X22
ST7102280	SCREW TE 4X20 BRASS UNI 5739
ST7104049	SCREW TE 6X30 8G
ST7104289	SCREW TE 6X40 8G
ST7104439	SCREW TE 6X30 8G
ST7104599	SCREW TE 6X100 8G
ST7105019	SCREW 8X16 8G
ST7105025	SCREW TE 8X25 8G
ST7105109	SCREW TE 8X20 8G
ST7105431	SCREW TE 8X70 5S
ST7106069	SCREW HEX 10X20 8G
ST7106109	SCREW TE 10X30 8G
ST7106263	SCREW 10X80 HEX. BLACK
ST7106295	SCREW TE 10X160 8G
ST7108069	SCREW TE 14X100 8G
ST7109199	SCREW 16X1, 5X40 8G BR
ST7117021	SCREW - S. THREAD, 10EX13TE
ST7117031	SCREW - SELFTHREAD. 10EX16TE
ST7202099	SCREW T CEI 4X16 8G
ST7204019	SCREW T CEI 6X20 8G
ST7205059	SCREW T CEI 8X16 8G
ST7206019	SCREW T CEI 10X75 8G
ST7206225	SCREW T CEI 10X40
ST7301022	SCREW TC 3X10
ST7302211	SCREW T CB 4X8 4S DIN 7986
ST7704239	SCREW STEI 6X10 12K
ST7704519	SCREW STEI 6X12 12K BR
ST7704529	SCREW STEI 6X10 PLANE 12K BR
ST7905625	SCREW STEI 8X60 10,9



#### **USA**


John Bean  
309 Exchange Avenue  
Conway, Arkansas 72032  
Tel.: (800) 362-8326 or (501) 450-1500  
Fax: (501) 450-1585

#### **CANADA**

John Bean  
6500 Millcreek Drive  
Mississauga, Ontario  
Canada L5N 2W6  
Tel: (905) 814-0114  
Fax: (905) 814-0110

**Notice:** The information contained in this document is subject to change without notice. **John Bean** makes no warranty with regard to this material. **John Bean** shall not be liable for errors contained herein or for incidental consequential damages in connection with furnishings, performance, or use of this material.

This document contains proprietary information which is protected by copyright and patents. All rights are reserved. No part of this document may be photocopied, reproduced, or translated without prior written consent of **John Bean**.

 is a registered trademark of the John Bean and Snap-on Incorporated