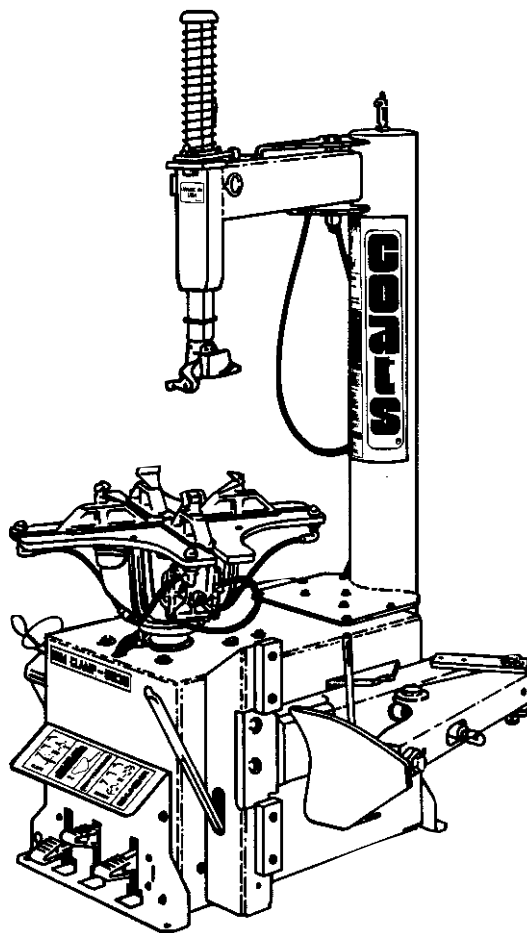


# COATS®

## 5030 A/E Tire Changer

For servicing single piece automotive and most light truck tire/wheel assemblies



### *Parts Identification*

READ these instructions before placing unit in service KEEP these and other materials delivered with the unit in a binder near the machine for ease of reference by supervisors and operators.

**HENNESSY INDUSTRIES, INC.**

1601 J. P. Hennessy Drive, LaVergne, TN USA 37086-3565 615/641-7533 800/688-6359

HENNESSY INDUSTRIES INC. Manufacturer of AMMCO®, COATS® and BADA® Automotive Service Equipment and Tools.

Manual Part No.: 8182903 12

Revision: 02/99

# Parts Identification

## Table of Contents

|   |                |
|---|----------------|
| <b>Parts List</b> .....                 | <b>3 - 5</b>   |
| <b>Tire Changer Exploded View</b> ..... | <b>6</b>       |
| <b>Air Motor Model</b> .....            | <b>7</b>       |
| <b>Electric Motor Model</b> .....       | <b>8</b>       |
| <b>Wiring Diagrams</b> .....            | <b>9</b>       |
| <b>Notes</b> .....                      | <b>10 - 11</b> |

**Hennessy Industries, Inc.**  
1601 J.P. Hennessy Drive  
LaVergne, TN 37086-3565  
(615) 641-7533 or (800) 688-6359  
[www.ammcoats.com](http://www.ammcoats.com)

For additional tire, wheel, and/or inflation information contact the following:

**Rubber Manufacturers Association**  
1400 K Street N. W.  
Washington, DC 20005  
(202) 682-4800  
[www.rma.com](http://www.rma.com)

**Tire Guides, Inc.**  
The Tire Information Center  
1101-6 South Rogers Circle  
Boca Raton, FL 33487-2795  
(561) 997-9229  
[www.tireguides.com](http://www.tireguides.com)

# Parts Identification

| Ref | Part #  | Description                           | Ref | Part #  | Description                        | Ref | Part #  | Description                         |
|-----|---------|---------------------------------------|-----|---------|------------------------------------|-----|---------|-------------------------------------|
| 1   | 8183476 | Ø1/4" x 3/4" Roll Pin                 | 44  | 8181369 | 1/4-20 Nylon Insert Lock Nut Gr5   | 83  | 8182599 | Safety Valve                        |
| 2   | 8181929 | Skt. Hd. Cap Scr., 3/8-16 x 1", Gr.8  | 45  | 8183325 | 7" Bead Loosener Cylinder Assbly   | 84  | 8101312 | Reducer Bushing 3/4 x 1/4 NPT       |
| 3   | 8182025 | Ø1/4" Steel Ball                      | 46  | 8182016 | 3/4"-10 Gr.5 Nylon Insert Lock Nut | 85  | 8100979 | Handle Grip, Black Flex 3/4 I.D.    |
| 2   | 8181704 | Table Top Plate                       | 47  | 8181912 | Clip, Clevis                       | 86  | 8181082 | Lock Handle/Lift Cam W/C            |
| 5   | 8181677 | Rim Clamp                             | 48  | 8107517 | Gauge Lens, Screw On               | 87  | 8181095 | 1-5/8 Snap Ring                     |
| 6   | 8182662 | Carrier/Cover - Cylinder End          | 49  | 8181949 | Clevis Pin-5/8 x 1-3/8             | 88  | 8182371 | Wave Washer, 1-5/8 Dia.             |
| 7   | 8101039 | Nut - Lock, 1/2", Gr.5                | 50  | 8182554 | Side Cover Panel                   | 89  | 8182028 | Spring-Vertical Slide               |
| 8   | 8181904 | Link Bolt - Table Top                 | 51  | 8106301 | 1/4" H.H. Self Tap Scr., Gr.5      | 90  | 8181771 | Knob-Vertical Slide                 |
| 9   | 8181734 | Pivot Plate W/C                       | 52  | 8106259 | Lube Bottle (Red)                  | 91  | 8182029 | 5/16-1 x 1-1/2 BH Soc Cap Scr, Gr.8 |
| 10  | 8182083 | 3/4-16 Gr5 Nyl Ins Jam Nut            | 53  | 8182876 | Lube Bottle (Black)                | 92  | 8181038 | Pivot Pin-Swing Arm                 |
| 11  | 8181731 | Pivot Plate - Table Top               | 54  | 8000491 | Lube Applicator                    | 93  | 8182577 | Swing Arm (Red)                     |
| 12  | 8181733 | Pivot Block                           | 55  | 8181933 | Pedal Inflation                    | 94  | 8181095 | 1-5/8 Snap Ring                     |
| 13  | 8183452 | Flange Whiz-lock Scr., 5/16-18 x 5/8" | 56  | 8102459 | 3/8" Self Tap Screw Gr.5           | 95  | 8181113 | 1/2"-13 Jam Nut Gr.5                |
| 14  | 8182661 | Carrier/Cover - Clamp                 | 57  | 8104673 | Bushing (1/4" Valve)               | 96  | 8181113 | 1/2"-13 Jam Nut Gr.5                |
| 15  | 8101039 | Nut - Lock, 1/2", Gr.5                | 58  | 8104600 | 1/4" Valve Comp.                   | 97  | 8181788 | Lock Plate                          |
| 16  | 8182627 | Ø1-5/8" Cap Plug                      | 59  | 8106298 | 3/4" Valve Ported 1/4"-18 NPT      | 98  | 8181035 | Lift Pin-Lock Plate                 |
| 17  | 8181742 | 16MM x 40mm Hex Head Bolt Gr.10.9     | 60  | 8104674 | Bushing (3/4" Valve)               | 99  | 8181740 | SHCS 1/2-13 x 1-3/4, Gr.5           |
| 18  | 8182979 | Washer - Molded, Ø16mm                | 61  | 8180103 | 3/8 x 3-1/4 Clevis Pin             | 100 | 8182767 | Vertical Slide Shaft                |
| 19  | 8181990 | Spider Assembly                       | 62  | 8181932 | Inflation Brkt.                    | 101 | 8182031 | Bumper-Rubber                       |
| 20  | 8182162 | Nut - Hex, 12MM, Gr.8.8               | 63  | 8104707 | Hitch Pin Retainer                 | 102 | 8130026 | 3/8 x 1/2 Soc HD Set Screw Gr8      |
| 21  | 8181658 | Pulley-Transmission                   | 64  | 8104613 | 5/8" Ext. Tooth Lock Washer        | 103 | 8182318 | Spring, Compression                 |
| 22  | 8182619 | Rotary Coupling Assembly              | 65  | 8104611 | 5/8" N.F. Jam Nut Gr.5             | 104 | 8182787 | Roller .562 Diameter x .515 LG.     |
| 23  | 8181713 | O-Ring Seal, Large (2-244)            | 66  | 8104612 | 3/4" Ext. Tooth Lock Washer        | 105 | 8130026 | 3/8 x 1/2 Soc HD Set Screw Gr8      |
| 24  | 8181712 | O-Ring Seal, Small (2-142)            | 67  | 8104610 | 3/4" N.F. Jam Nut Gr.5             | 106 | 8182185 | Tube-Dipstick                       |
| 25  | 8183156 | Washer - Ø2" X Ø2 3/4" x .010         | 68  | 8182583 | Chassis                            | 107 | 8182186 | Dipstick-Transmission               |
| 26  | 8110653 | 3/8-16 x 6" Gr5 Capscrew              | 69  | 8182579 | 3/4-10 x 5 Hex Hd. Cap Scr, Gr.5   | 108 | 8182786 | 5MM x 25MM Dowel Pin                |
| 27  | 8301032 | 3/8 Flat Washer, Zinc Plate           | 70  | 8182457 | Washer, 1 1/2" x .812 x .135       | 109 | 8140667 | 1/4-20 x 1/4 Soc.Hd.Set Scr, Gr.8   |
| 28  | 8110653 | 3/8-16 x 6" Gr5 Capscrew              | 71  | 8182016 | 3/4"-10 Gr.5 Nylon Insert Lock Nut | 110 | 8182027 | Washer 7 ga. x .406 ID x 1.28 OD    |
| 29  | 8301032 | 3/8 Flat Washer, Zinc Plate           | 72  | 8106303 | 3/8" Whiz Lock Nut, Gr.5           | 111 | 8106302 | 3/8" Whiz Lock Screw, Gr.5          |
| 30  | 8182965 | Transmission Kit                      | 73  | 8106302 | 3/8" Whiz Lock Screw, Gr.5         | 113 | 8182550 | Pivot Pin, B.L. Cylinder Rod        |
| 31  | 8110653 | 3/8-16 x 6" Gr5 Hex Hd Cap Screw      | 74  | 8182500 | Tower/Air Receiver (Red)           | 114 | 8180230 | B.L. Spring                         |
| 32  | 8181207 | 3/8" NPT Close Nipple                 | 75  | 8106303 | 3/8" Whiz Lock Nut, Gr.5           | 115 | 8182581 | Bead Loosener Arm                   |
| 33  | 8301032 | 3/8 Flat Washer, Zinc Plate           | 76  | 8106302 | 3/8" Whiz Lock Screw, Gr.5         | 116 | 8182579 | 3/4-10 x 5 Hex Hd. Cap Scr, Gr.5    |
| 36  | 8000516 | 3/8-16 Hex Lock Nut Gr5               | 77  | 8182962 | Warning Decal (Standard)           | 117 | 8182457 | Washer, 3/4"                        |
| 37  | 8182571 | Motor Pulley - Air Motor              | 78  | 8182950 | Warning Decal (ETC30)              | 118 | 8182558 | 3/4" Belleville Washer              |
| 38  | 8182784 | Motor Mounting Bracket (Red)          | 79  | 8182943 | Warning Decal (HE5030)             | 119 | 8182457 | Washer, 3/4"                        |
| 39  | 8181984 | Motor Bracket Kit (Early Models)      | 80  | 8182921 | Warning Decal (1300)               | 120 | 8182473 | Bead Loosener Shoe                  |
| 40  | 8000516 | 3/8-16 Hex Lock Nut Gr5               | 81  | 8182944 | Warning Decal (HX5030)             | 121 | 8107107 | Grip-Handle                         |
| 41  | 8182572 | Air Motor                             | 82  | 8182593 | Adjustment Knob Assembly           | 122 | 8182016 | 3/4"-10 Gr.5 Nylon Insert Lock Nut  |
| 42  | 8106303 | 3/8" Whiz Lock Nut, Gr.5              | 79  | 8107983 | Plastic Fastener                   | 123 | 8181173 | Bead Loosener Front Pad             |
|     |         |                                       | 80  | 8107985 | Flanged Air Gauge w/Fasteners      | 124 | 8181065 | B.L. Center Pad                     |
|     |         |                                       | 81  | 8181172 | 3/4 x 7-1/2" Gr5 Hex Hd Cap Scr    | 125 | 8181986 | Valve, 4-Way w/Pull Pin             |
|     |         |                                       | 82  | 8182457 | Washer, 3/4"                       | 126 | 8181986 | Valve, 4-Way w/Pull Pin             |

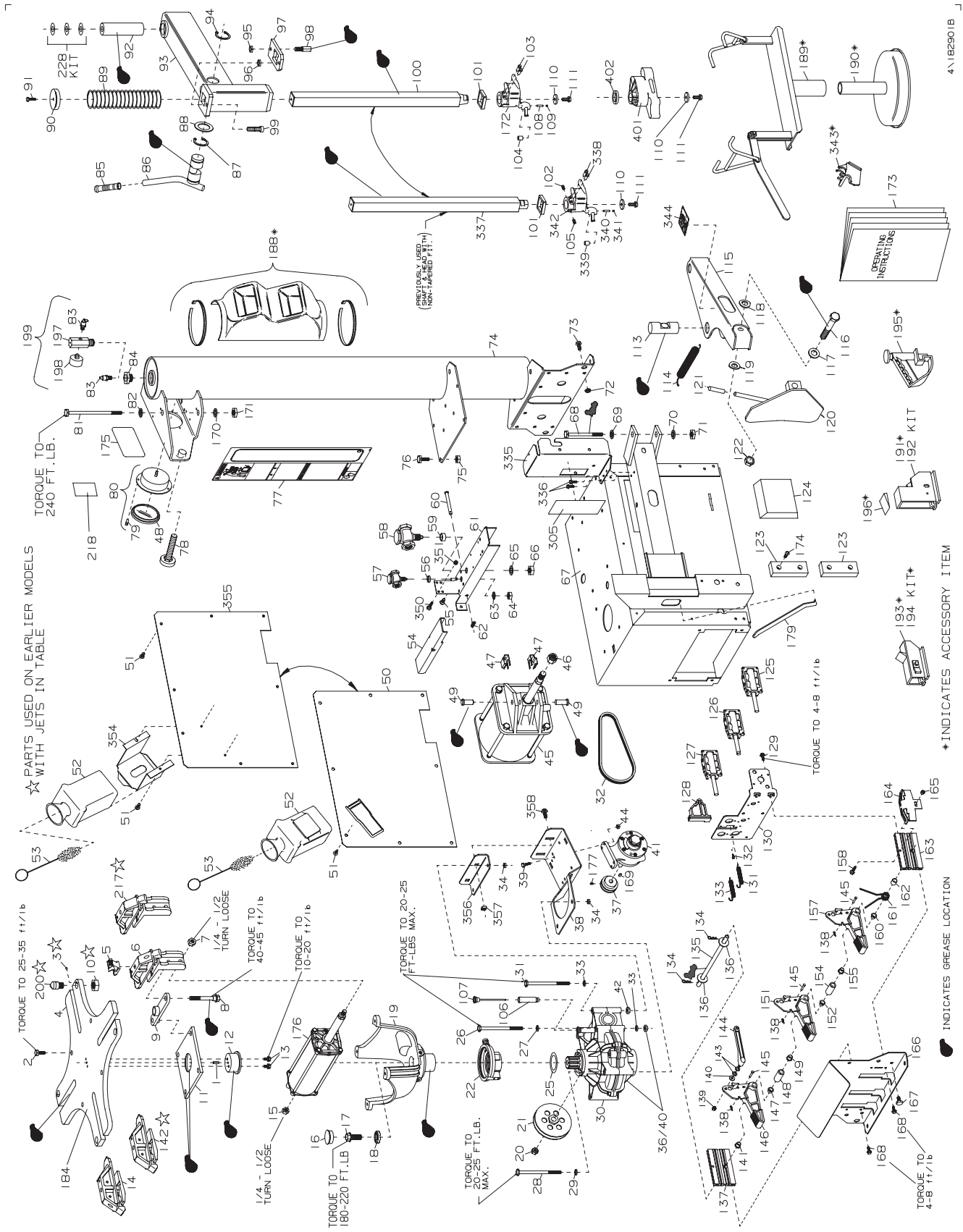
# Parts Identification

| Ref | Part #  | Description                         | Ref       | Part #                           | Description                       | Ref     | Part #                   | Description                        |
|-----|---------|-------------------------------------|-----------|----------------------------------|-----------------------------------|---------|--------------------------|------------------------------------|
| 127 | 8181986 | Valve, 4-Way w/Pull Pin             | 173       | 8182904                          | Operating Instructions (Std)      | 216     | 8181349                  | Rotary Coupling                    |
| 128 | 8181695 | Cam Mounting Block                  | 8182904-1 | Operating Instructions (1300)    | 217                               | 8181907 | Clamp Carrier - Cyl. End |                                    |
| 129 | 8106301 | 1/4" H.H. Self Tap Scr., Gr.5       | 8182904-2 | Operating Instructions (HX5030)  | 218                               | 8109769 | Decal, Release Valve     |                                    |
| 130 | 8183031 | Bracket-Valve Mounting              | 8182904-3 | Operating Instructions (Rotunda) | 219                               | 8104844 | Fitting, Barbed 1/4"     |                                    |
| 131 | 8181708 | Extension Spring, Pedal             | 8182904-4 | Operating Instructions (ETC-30)  | 220                               | 8101428 | Hose Clamp-1/4 I.D. Hose |                                    |
| 132 | 8181989 | 10-24 x 3/8 Soc Head Cap Scr, Gr.8  | 174       | 8182088                          | 5/16 x 1 Torx Screw, Gr.5         | 221     | 8106289                  | Ø1/4" x 22" Hose                   |
| 133 | 8181708 | Extension Spring, Pedal             | 175       | 8109888                          | Inflation Warning Decal           | 222     | 8106289                  | Ø1/4" x 22" Hose                   |
| 134 | 8111609 | Cotter Hair Pin                     | 176       | 8182613                          | Cylinder Assembly-Table Top       | 223     | 8101428                  | Hose Clamp-1/4 I.D. Hose           |
| 135 | 8183398 | Pedal Shaft                         | 177       | 8180217                          | 5/16-18 x 3/8" SHCS Gr5           | 224     | 8182005                  | Nylon Tube 3/8" x 20" Lg.          |
| 136 | 8301121 | Washer                              | 179       | 8181354                          | Bead Lifting Tool                 | 225     | 8000378                  | 1/4" Brass St. Fitting             |
| 137 | 8181918 | Bar-Valve Brkt. Spacer              | 180       | 8182081                          | Filter/Lubricator Repair Kit      | 226     | 8000378                  | 1/4" Brass St. Fitting             |
| 138 | 8120469 | Hair Pin Cotter                     | 181       | 8183881                          | 3/8 x 7" Nylon Tube               | 227     | 8181998                  | Male Elbow 1/4 NPT x 3/8 Tube      |
| 139 | 8181369 | Nut - Lock, Nyl. Ins., 1/4-20, Gr.5 | 182       | 8101898                          | 3/8" Hose Fitting                 | 228     | 8182339                  | Shim Kit-Swing Arm                 |
| 140 | 8107635 | 5/16" Flat Washer                   | 183       | 8000372                          | 1/4" x 90° Street Ell             | 229     | 8182005                  | Nylon Tube 3/8" x 20" Lg.          |
| 141 | 8181948 | Bearing-Nylon, 1/2"                 | 184       | 8182952                          | Table Top Plate without Jets      | 230     | 8181147                  | Hose 3/8 x 17-1/4" Lg.             |
| 142 | 8181906 | Clamp Carrier                       | 185       | 8101898                          | 3/8" Hose Fitting                 | 231     | 8181988                  | Male Brch. Tee 1/4 NPT x 3/8 Tube  |
| 143 | 8181981 | Wave Washer, 5/16" I.D.             | *186      | 8000372                          | 1/4" x 90° Street Ell             | 232     | 8101898                  | 3/8" Hose Fitting                  |
| 144 | 8181696 | Lever-Cam Follower                  | *188      | 8181554                          | Accessory Tray Kit                | 235     | 8181988                  | Male Brch. Tee 1/4 NPT x 3/8 Tube  |
| 145 | 8183399 | Clevis Pin 3/16" x 1-1/2"           | *189      | 8108028                          | Tire Spreader                     | 237     | 8181999                  | Male Elbow 1/4 NPT x 3/8 Tube      |
| 146 | 8181675 | Pedal, Standard                     | *190      | 8181329                          | Spreader Base-Rim Clamp           | 239     | 8000378                  | 1/4" Brass St. Fitting             |
| 147 | 8181948 | Bearing-Nylon, 1/2"                 | *191      | 8235208                          | Motorcycle Clamp (Tall)           | 240     | 8101428                  | Hose Clamp-1/4 I.D. Hose           |
| 148 | 8181911 | Spacer-Pedal                        | *192      | 8181619                          | Motorcycle Clamp Kit (Tall)       | 241     | 8106289                  | Ø1/4" x 22" Hose                   |
| 149 | 8181948 | Bearing-Nylon, 1/2"                 | *193      | 8235740                          | ATV Clamp (Tall)                  | 242     | 8106289                  | Ø1/4" x 22" Hose                   |
| 151 | 8181675 | Pedal, Standard                     | *194      | 8181891                          | ATV Clamp Kit (Tall)              | 243     | 8182005                  | Nylon Tube 3/8" x 20" Lg.          |
| 152 | 8181948 | Bearing-Nylon, 1/2"                 | *195      | 8435685                          | Drop Center Aid                   | 244     | 8182005                  | Nylon Tube 3/8" x 20" Lg.          |
| 154 | 8182327 | Spacer-Pedal                        | *196      | 8435203                          | Plastic Clamp Jaw                 | 245     | 8101428                  | Hose Clamp-1/4 I.D. Hose           |
| 155 | 8181948 | Bearing-Nylon, 1/2"                 | 197       | 8109784                          | Manifold/Gauge Protector          | 246     | 8000378                  | 1/4" Brass St. Fitting             |
| 157 | 8181675 | Pedal, Standard                     | 198       | 8108968                          | Air Gauge                         | 247     | 8101428                  | Hose Clamp-1/4 I.D. Hose           |
| 158 | 8120321 | 1/4 x 1-1/4 Hex HD Cap Screw Gr5    | *199      | 8182640                          | California Gauge Kit              | 248     | 8000376                  | 1/4 x 90° Brass Fitting            |
| 160 | 8181948 | Bearing-Nylon, 1/2"                 | 201       | 8181998                          | Male Elbow 1/4 NPT x 3/8 Tube     | 250     | 8181999                  | Male Elbow 1/4 NPT x 3/8 Tube      |
| 161 | 8181707 | Torsion Spring                      | 202       | 8182036                          | Nylon Tube 3/8 OD x 12.25" Lg     | 251     | 8181191                  | Valve, Quick Exhaust               |
| 162 | 8181872 | Sleeve-Torsion Spring               | 203       | 8182036                          | Nylon Tube 3/8 OD x 12.25" Lg     | 252     | 8000580                  | Nipple - Close, 1/4 NPT            |
| 163 | 8181918 | Bar-Valve Brkt. Spacer              | 204       | 8182036                          | Nylon Tube 3/8 OD x 12.25" Lg     | 253     | 8181207                  | 3/8" NPT Close Nipple              |
| 164 | 8182670 | Spring Stop Bracket                 | 205       | 8182036                          | Nylon Tube 3/8 OD x 12.25" Lg     | 254     | 8181195                  | 1/2" x 3/8" Reducing Elbow         |
| 165 | 8181369 | Nut - Lock, Nyl. Ins., 1/4-20, Gr.5 | 206       | 8181988                          | Male Brch. Tee 1/4 NPT x 3/8 Tube | 255     | 8181206                  | Muffler-1/2" NPT                   |
| 166 | 8182586 | Foot Pedal Guard (Red)              | 207       | 8000378                          | 1/4" Brass St. Fitting            | 257     | 8181999                  | Male Elbow 1/4 NPT x 3/8 Tube      |
| 167 | 8102459 | 3/8" Self Tap Screw Gr.5            | 208       | 8101428                          | Hose Clamp-1/4 I.D. Hose          | 258     | 8182638                  | 7" Bead Loosener Cylinder Seal Kit |
| 168 | 8106301 | 1/4" H.H. Self Tap Scr., Gr.5       | 209       | 8101428                          | Hose Clamp-1/4 I.D. Hose          | 259     | 8183327                  | 7" Bead Loosener Cyl. Bot. Cap     |
| 170 | 8182457 | Washer, 3/4"                        | 210       | 8110497                          | Fitting-90 Deg. Male Elbow        | 260     | 8182016                  | 3/4"-10 Gr.5 Nylon Insert Lock Nut |
| 171 | 8182016 | 3/4"-10 Gr.5 Nylon Insert Lock Nut  | 211       | 8104844                          | Fitting, Barbed 1/4"              | 261     | 8182566                  | Bead Loosener Cyl. Steel Washer    |
| 172 | 8182788 | Mount Demount Head Assembly         | 212       | 8101428                          | Hose Clamp-1/4 I.D. Hose          | 262     | 8182566                  | Bead Loosener Cyl. Steel Washer    |
|     |         |                                     | 213       | 8104684                          | 1/4 x 8" Hose                     | 263     | 8182565                  | Bead Loosener Cylinder Shaft       |
|     |         |                                     | 214       | 8000378                          | 1/4" Brass St. Fitting            | 264     | 8182568                  | Bead Loosener Cyl Sleeve Barrel    |
|     |         |                                     | 215       | 81101428                         | Hose Clamp-1/4 I.D. Hose          | 265     | 8110890                  | 1/2-13 x 9" Long HHCS Gr5          |

# Parts Identification

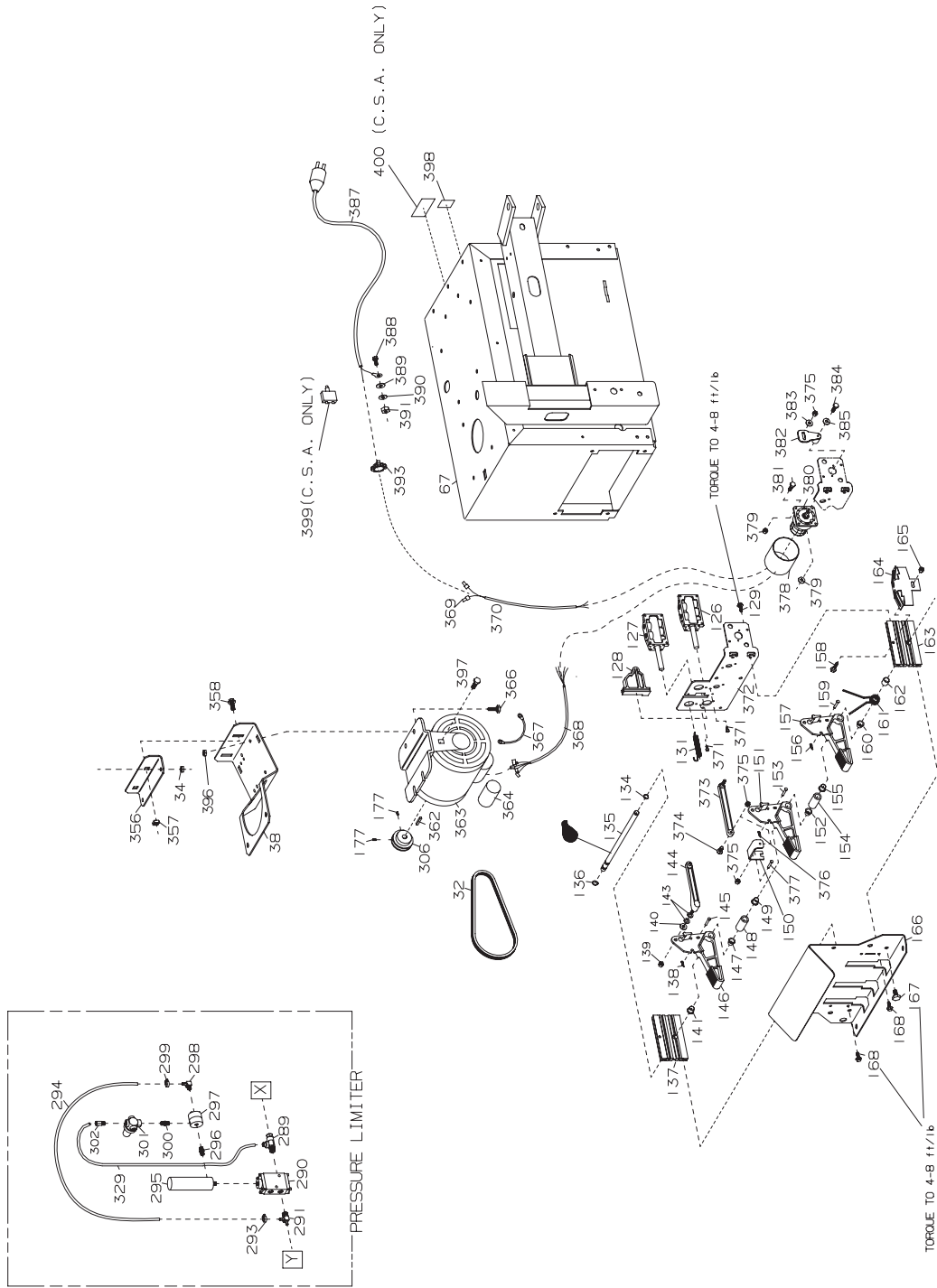
| Ref | Part #  | Description                         | Ref     | Part #                                | Description                        | Ref     | Part #                            | Description                         |
|-----|---------|-------------------------------------|---------|---------------------------------------|------------------------------------|---------|-----------------------------------|-------------------------------------|
| 266 | 8182600 | Ø3/4" X 27" Hose (Black)            | 311     | 8182090                               | Hose 3/4" x 61" Lg.                | 356     | 8182923                           | Motor Adjustment Bracket            |
| 267 | 8102048 | Hose, 1/4" x 15"                    | 312     | 8101428                               | Hose Clamp-1/4 I.D. Hose           | 357     | 8143044                           | Tinnerman Sq. Captive Nut 3/8-16    |
| 268 | 8182742 | 3/4" x 9-1/2" Hose (Black)          | 313     | 8101428                               | Hose Clamp-1/4 I.D. Hose           | 358     | 8106302                           | 3/8" Whiz Lock Screw, Gr.5          |
| 269 | 8182497 | Hose 3/8" x 36" Lg.                 | 314     | 8182090                               | Hose 3/4" x 61" Lg.                | 360     | 8104564                           | Ø3/4" Hose Ring Clip                |
| 270 | 8101428 | Hose Clamp-1/4 I.D. Hose            | 315     | 8105822                               | Hose Clamp-9/16 I.D. Hose          | 361     | 8106301                           | 1/4" H.H. Self Tap Scr., Gr.5       |
| 272 | 8101428 | Hose Clamp-1/4 I.D. Hose            | 316     | 8410419                               | Air Chuck                          | 362     | 8180558                           | Key-Motor Pulley                    |
| 273 | 8101898 | 3/8" Hose Fitting                   | 317     | 8182464                               | Strainer Screen                    | 363     | 8182959                           | Electric Motor - 115v 60Hz          |
| 274 | 8182020 | St. Fitting, 3/4" NPT x 1/4" NPT    | 318     | 8104573                               | Fitting, Straight-3/4"             | 364     | 8182783                           | Electric Motor - 220v 50Hz          |
| 275 | 8101346 | 3/4" Hose Clamp                     | 319     | 8101346                               | 3/4" Hose Clamp                    | 364     | 8180638                           | Motor Capacitor Only                |
| 276 | 8104652 | Poppet, 3/4" Valve                  | 320     | 8183811                               | Seal Kit, T. T. Cylinder           | 366     | 8120325                           | 5/16-18 x 1 Ser. Wash.Hd.Scr., Gr.5 |
| 277 | 8104651 | Spring, 3/4" Valve                  | 321     | 8181622                               | Cap-Cylinder Bottom                | 367     | 8180560                           | Ground Cable                        |
| 278 | 8106350 | End Cap, 3/4" Valve                 | 322     | 8182719                               | 1/2-13 Locking Jam Nut, Gr.5       | 368     | 8181511                           | Motor Cable Assembly                |
| 279 | 8182071 | Fitting, Special Male Branch Tee    | 323     | 8183771                               | Washer 2.50 Ø x .515 Ø x .064      | 369     | 8143254                           | Wire Joint                          |
| 280 | 8101428 | Hose Clamp-1/4 I.D. Hose            | 324     | 8181629                               | Shaft-Tabletop Cyl.                | 370     | 8182141                           | Cord-Entrance to Switch             |
| 281 | 8107924 | 3/4 Nylon Elbow                     | 325     | 8181627                               | Sleeve-Cylinder                    | 371     | 8181989                           | 10-24 x 3/8 Soc Head Cap Scr, Gr.8  |
| 282 | 8181998 | Male Elbow 1/4 NPT x 3/8 Tube       | 326     | 8181620                               | Cap-Cylinder Top                   | 372     | 8183031                           | Bracket-Valve Mounting              |
| 283 | 8000378 | 1/4" Brass St. Fitting              | 327     | 8181633                               | Tie Bolt-Tabletop Cylinder         | 373     | 8181699                           | Lever Assembly - Switch             |
| 284 | 8101428 | Hose Clamp-1/4 I.D. Hose            | 328     | 8103649                               | Ø1/4 x 12" Hose                    | 374     | 8182743                           | Shoulder Screw - 5/16               |
| 285 | 8104649 | Poppet, 1/4" Valve                  | 329     | 8182037                               | Nylon Tube 1/4 OD x 10" Lg.        | 375     | 8181369                           | Nut - Lock, Nyl. Ins., 1/4-20, Gr.5 |
| 286 | 8102468 | Poppet Spring, 1/4" Valve           | 331     | 8183328                               | 7" Bead Loosener Cylr Top Cap      | 376     | 8182363                           | Spacer - Sw Pedal Lever-Red         |
| 287 | 8105671 | End Cap, 1/4" Valve                 | 332     | 8101346                               | 3/4" Hose Clamp                    | 377     | 8190134                           | 1/4-20 x 3/4 Hex Hd Cap Scr Gr.5    |
| 288 | 8182005 | Nylon Tube 3/8" x 20" Lg.           | 333     | 8101346                               | 3/4" Hose Clamp                    | 378     | 8181959                           | Cover-Switch                        |
| 289 | 8111255 | Spl Tee-1/4 NPT x 3/8 x 1/4 Tube    | 334     | 8182734                               | Muffler                            | 379     | 8182682                           | 10-24 Nylon Insert Lock Nut Gr.5    |
| 290 | 8109466 | Valve-Piloted                       | 335     | 8183770                               | Filter/Lube Bracket                | 380     | 8182957                           | Switch-Reversing                    |
| 291 | 8110325 | 1/4" NPT Male Run Tee               | 336     | 8106301                               | 1/4" H.H. Self Tap Scr., Gr.5      | 381     | 8181983                           | B Hd Soc Cap Scr 10-24 x 5/8, Gr.8  |
| 292 | 8101428 | Hose Clamp-1/4 I.D. Hose            | 340     | 8181915                               | Pin, Dowell M5 x 20                | 382     | 8181728                           | Lever - Switch Actuator             |
| 293 | 8101428 | Hose Clamp-1/4 I.D. Hose            | 341     | 8181914                               | 1/4-20 x 3/16 Gr8 Skt Hd Set Scr   | 383     | 8000745                           | Washer - Flat, Ø1/4"                |
| 294 | 8103649 | Ø1/4 x 12" Hose                     | 342     | 8182026                               | Mount/Demount Head Assembly        | 384     | 8181982                           | Hx.Hd.Cp.Scr., 3MM x 12mm, Gr.5     |
| 295 | 8110496 | Volumn Chamber                      | 343     | 8182770                               | Bootie-Mount/Demount Head (Single) | 385     | 8301072                           | #6 Internal Tooth Lk Washer         |
| 296 | 8109471 | 1/8" Brass Hex Nipple               |         |                                       |                                    | 387     | 8181956                           | Power Cable Assembly                |
| 297 | 8109468 | Pressure Repeater                   | 8182961 | Bootie-Mount/Demount Head (Pkg of 2)  |                                    | 8182257 | Power Cable Assy (115V CSA)       |                                     |
| 298 | 8110497 | Fitting-90 Deg. Male Elbow          |         |                                       |                                    | 8182712 | Pwr Cable Assy (220V, 50Hz, 1 Ph) |                                     |
| 299 | 8101428 | Hose Clamp-1/4 I.D. Hose            | 8182963 | Bootie-Mount/Demount Head (Pkg of 12) |                                    | 8106301 | 1/4" H.H. Self Tap Scr., Gr.5     |                                     |
| 300 | 8109472 | 1/8" Inline Filter                  |         |                                       |                                    | 8150441 | 1/4" Star Lock Washer             |                                     |
| 301 | 8111083 | Regulator                           | 8182768 | Caution Decal-B.L.                    |                                    | 8301142 | Washer, 1/4" Spring Lock          |                                     |
| 302 | 8182035 | Male St Fit. 1/8 NPT x 1/4 Tube     | 8182836 | Nylon Tube 3/8 OD x 15.50" Lg         |                                    | 8107440 | 1/4-20 Hex Nut Gr.5               |                                     |
| 303 | 8101428 | Hose Clamp-1/4 I.D. Hose            | 8182894 | Tube Protector                        |                                    | 8150128 | Cable Connector, 1/2"             |                                     |
| 304 | 8000481 | Hose 1/4" x 6"                      | 8181962 | Filter/Lubricator                     |                                    | 8120455 | 10-24 Self Tap Screw, Gr.2        |                                     |
| 305 | 8183778 | Decal - Lubrication Notice          | 8120408 | 1/4-20 x 1-3/4 H.H. Cap Scr., Gr.5    |                                    | 8182037 | Nylon Tube 1/4 OD x 10" Lg.       |                                     |
| 306 | 8181204 | Pulley 5/8" Shaft                   | 8143169 | 1/4-20 Whiz Lock Nut, Gr.5            |                                    | 8181587 | Circuit Breaker                   |                                     |
| 307 | 8181183 | 5/16-18 Nylon Insert Lock Nut, Gr.5 | 8000378 | 1/4" Brass St. Fitting                |                                    | 8140963 | Decal - CSA Caution               |                                     |
| 308 | 8183502 | Manifold Bleed Valve Assembly       | 8182912 | Air Motor Repair Kit                  |                                    | 8182960 | Mount/Demount Head (PLASTIC)      |                                     |
| 309 | 8000378 | 1/4" Brass St. Fitting              | 8182809 | Lube Bottle Brkt-Red                  |                                    | 8183033 | Washer                            |                                     |
| 310 | 8101428 | Hose Clamp-1/4 I.D. Hose            | 8182878 | Panel/Side Cover                      |                                    |         | * Indicates Accessory Item        |                                     |

# Parts Identification





# Parts Identification



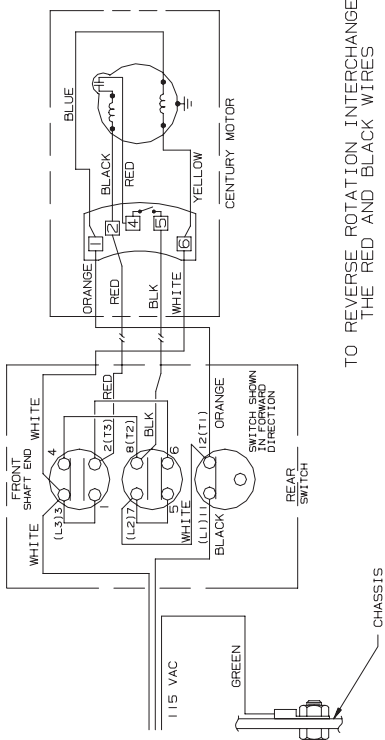
ELECTRIC MOTOR MODELS

6/18290 ID



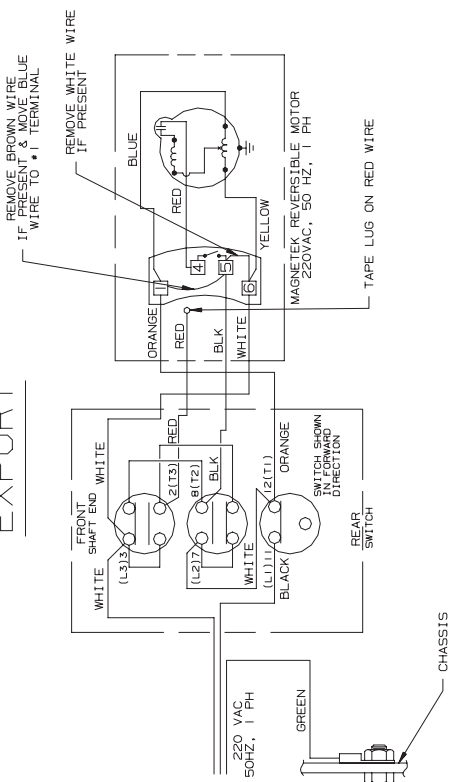
# WIRING DIAGRAMS

## DOMESTIC



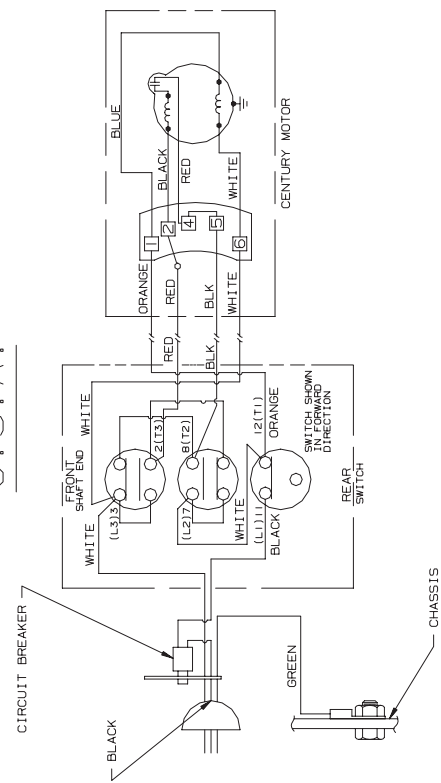
TO REVERSE ROTATION INTERCHANGE THE RED AND BLACK WIRES

## EXPORT



TO REVERSE ROTATION INTERCHANGE THE RED AND BLACK WIRES

## C.S.A.



TO REVERSE ROTATION INTERCHANGE THE RED AND BLACK WIRES

# Parts Identification

## Notes

# Parts Identification

## Notes

# Rim Clamp® Tire Changer

## All-Air Unit Compressed Air Requirements

COATS® Rim Clamp® tire changers that are powered entirely by air (no electric motor) require a single compressed air power source. Refer to the table below for exact specifications.

| Tire Changer Model | Compressor Size | Capable of            |
|--------------------|-----------------|-----------------------|
| 5030A              | 5HP             | 5 SCFM at 150 PSI     |
| 5050A              | 5HP             | 14-15 SCFM at 150 PSI |
| 5060A              | 5HP             | 14-15 SCFM at 150 PSI |

## Oiler and Water Separator Maintenance

The oiler and water separator (on units so equipped) require weekly service. Oil and water levels (indicated on the level gauge on the side of each bowl) should be checked regularly

1. Drain the water from the separator by unscrewing the petcock on the bottom of the bowl. Allow water to drain and tighten petcock securely by hand.
2. Add oil to the oiler if the fluid level is more than 1/4" from the top of the gauge. Remove the filler plug in the top of the oiler, and add SAE 10W non-detergent oil or an air tool oil to bring the level up to 1/4" from the top of the gauge. Replace the filler plug and clean up any spilled oil.
3. Adjust the oil flow by pulling the red flow adjustment ring up and turning it to increase or decrease the flow. Push the ring down to lock. Watch the formation of oil drops in the see-through oil chamber. Continually cycle the bead loosener through full strokes and count the drops during the cycles. The delivery of oil to the air line should be about 1 drop per 10 cylinder cycles. Adjust the flow as required.

**Note:** Some older units may use an adjustment screw on top of the oiler instead of the red ring and see-through chamber. To adjust these units, turn the screw fully clockwise to stop the flow, then turn it back counterclockwise 1/4 turn.

## Transmission Lubrication

Check the fluid level in the tabletop transmission with the oil check dipstick. If fluid shows on the dipstick, it is properly filled. If no fluid is present on the dipstick, add a high quality SAE 80/90 gear lubricant. Add lubricant and check the level. Stop adding lubricant when it shows on the dipstick.

## Air Gauge Check and Recalibration

1. Inflate a standard 15" passenger car tire/wheel assembly to 32 PSI. Use a high quality stick-type pressure gauge to verify the pressure. Attach the tire changer's inflation hose to the valve stem and check the pressure reading on the air gauge. If it does not read 32 PSI, recalibrate the gauge.
2. Remove the screw-on lens. Loosen the 2 screws on the face of the gauge. Loosen them just enough so that the gauge face moves. Do not remove the screws.
3. Rotate the gauge face until the 32 PSI mark is aligned with the gauge needle. Tighten the 2 screws and replace the lens.

## Danger, Warning, Caution, and Instructional Decals

Always make the cleaning of these important decals a part of your regular maintenance routine. If they are damaged or illegible, replace them immediately. Your safety, and the safety of others is involved!