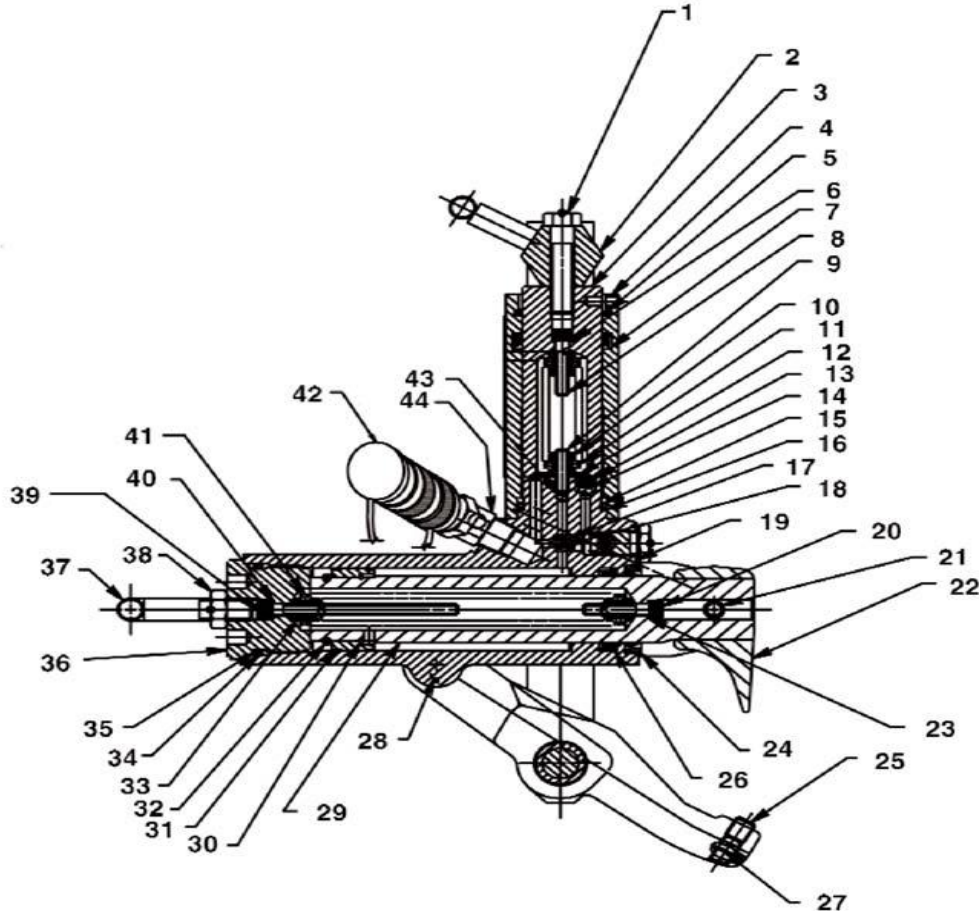




## Parts List for

### Tire Bead Breaker Model 11020

Rev. 09/07



Item No.	Part No.	Stock No.	Qty	Description
1	11010-001	12901	1	Screw, Hex Hd Cap (7/16-14 x 2) Torque to 30/40 Ft. Lbs
2	11010-002	36940	1	Handle, Strap Pivot
3	11010-003	350455	1	Piston, (Single Jaw)
4	11010-004	350456	1	Body, Cylinder (Single Jaw; Torque to 125/140 Ft. Lbs)
5	11010-005	16720	1	Rod, Wiper
6	11010-006	10442	1	Washer, Copper
7	11010-007	16721	1	U-Cup
8	11010-013	10020	1	Screw, SOC Hd (1/4-20 x 1-1/4; Torque to 90/110 in. Lbs
9	11010-009	11116	1	Screw, Set (1/4-20 x 1)
10	11010-010	201360	1	Spring, Retainer
11	11010-011	201430	1	Spring, (.83 OD x 1.90 x .13 WS)
12	11010-012	17160	1	Washer, Special (1.00 x .26)
13	11010-013	13944	1	Spring, (.36 OD x .50 x .05 WS)
14	11010-014	10375	1	Ball, (1/4 in. Dia. Steel)

2324 Circuit Way, Brooksville, FL 34604  
 Phone (352) 799-1111 Toll Free (877)755-4263 Fax (352)799-1112  
 Email:sales@ameintl.net



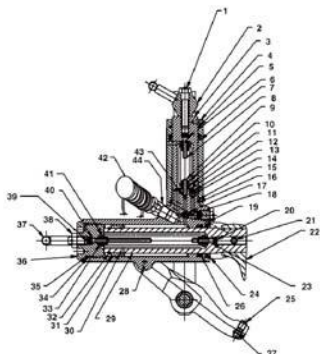


## Parts List For

### Tire Bead Breaker Model 11020

Rev. 09/07

Item No.	Part No.	Stock No.	Qty	Description
15	11010-015	11841	1	O Ring, (1.62 x 1.37 Nitrile)
16	11010-016	206751	1	Washer, Backup (2.00 x 1.75)
17	11010-017	16724	1	Spring, (.32 OD x 1.20 x .08 WS)
18	11010-018	10375	1	Ball, (1/4" Dia. Steel)
19	11010-019	10261	1	Washer, Copper (.75 x .60)
20	11010-013	10020	1	Screw, Soc Hd (1/4-20 x 1-1/4; Torque to 90/110 in. Lbs.)
21	11010-021	10613	1	Pin, Roll (.38 x 2.25)
22	11020-022	36853L	1	Claw Machining
23	11010-023	10442	1	Washer, Copper
24	11010-024	250918	1	Wiper, Rod (2.00 x 1.50 URE)
25	11010-025	BC380627B	1	Screw, Set (3/8-16 x <sup>1</sup> / <sub>2</sub> )
26	11010-026	16721	1	U-Cup
27	11010-027	DA11382027	1	Screw, Set (3/8-16 x 3/8)
28	11010-028	64250	1	Body, Beak Breaker
29	11010-029	420439	1	Piston, Cylinder
30	11010-030	204237	1	Ring, Retainer (internal 141 ID)
31	11010-031	204236	1	Bearing
32	11010-032	201433	1	Ring, Retainer (internal 1/31 ID)
33	11010-033	201360	1	Spring, Retainer
34	11010-034	10294	1	O Ring, (2.00 x 1.75 Nitrile)
35	11010-035	206750	1	Washer, Backup (2.00 x 1.75)
36	11010-036	DA10477020	1	Plug, End (Torque to 140/225 Ft. Lbs.)
37	11010-037	202636	1	Handle
38	11010-038	10391	1	Nut, Hex Jam (1/2-13)
39	11010-039	16064	1	Screw, SOC Hd (1/4-20 x 3-1/2; Torque to 90/110 in. Lbs.)
40	11010-040	10442	1	Washer, Copper (.37 x .25)
41	11010-041	202625	1	Spring, (.83 OD x 5.00 x .13 WS)
42	11010-042	16060	1	Ram Half Cplr/plastic dust cap
43	11010-043	12223	1	Ball, (3/16" Dia Steel)
44	11010-044	10622	1	Fitting, Elbow 45 Deg (3/8 NPTF)



2324 Circuit Way, Brooksville, FL 34604  
 Phone (352) 799-1111 Toll Free (877)755-4263 Fax (352)799-1112  
 Email:sales@ameintl.net



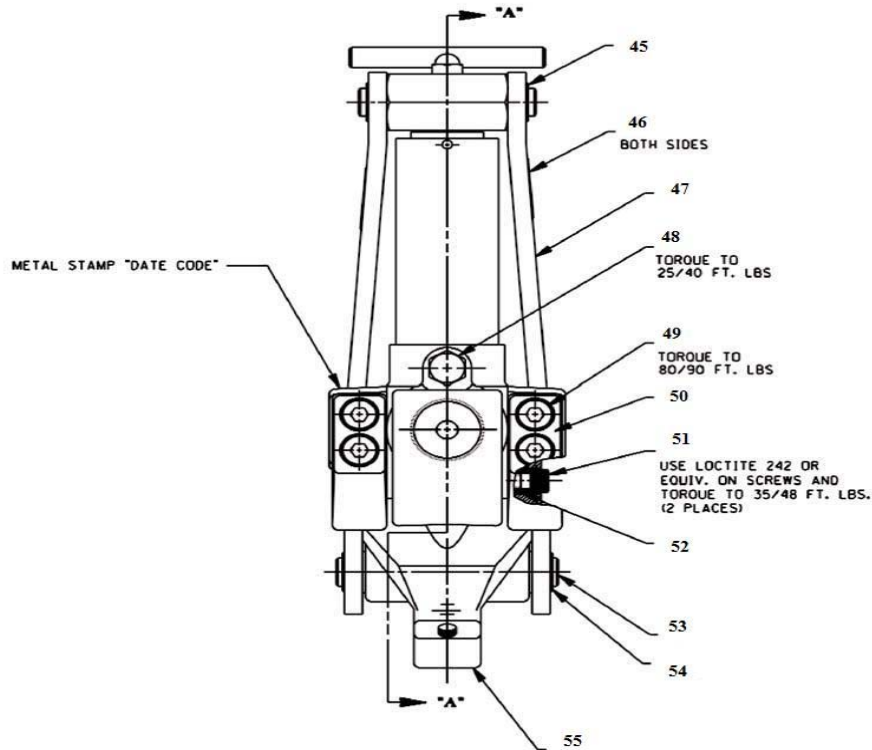


## Parts List For

### Tire Bead Breaker Model 11020

\*NOTE – Identifying feature 5 digit number cast on clamp Item# 11

Rev. 09/07



ITEM NO	PART NO.	STOCK NO.	NO. REQ'D	DESCRIPTION
45	11010 - 045	11901	2	Ring, Retainer External
46	11010 - 046	260095	2	Decal, Warning
47	11010 - 047	DA10489217	2	Strap
48	11010 - 048	21599	1	Screw, Cap (9/16-18 x 1-1/8)
49	11010 - 049	B113902	4	Screw, Soc Hd (1/2-13 x 1-1/4)
50	11020 - 050	306135L	2	Tooth, Replaceable
51	11010 - 051	B1069028	2	Screw, Soc Hd (3/8-16 x 1)
52	11010 - 052	204238	2	Spacer
53	11010 - 053	DA10488061L	1	Pin
54	11010 - 054	11901	2	Ring, Retainer External
*55	11020 - 055	420438	1	Jaw, Single

2324 Circuit Way, Brooksville, FL 34604  
 Phone (352) 799-1111 Toll Free (877)755-4263 Fax (352)799-1112  
 Email:sales@ameintl.net

